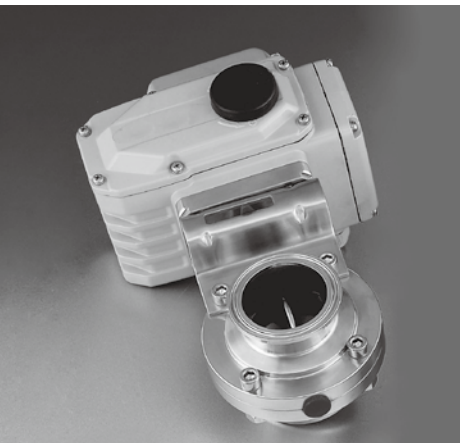


# 目录

## CONTENT

|                                      |        |
|--------------------------------------|--------|
| 卫生级蝶阀<br>Sanitary Butterfly Valve    | P12-29 |
| 卫生级隔膜阀<br>Sanitary Diaphragm Valve   | P30-34 |
| 卫生级止回阀<br>Sanitary Check Valve       | P35-37 |
| 卫生级球阀<br>Sanitary Ball Valves        | P38-44 |
| 卫生级安全阀<br>Sanitary Safety Valve      | P45    |
| 卫生级罐底阀<br>Sanitary Tank Bottom Valve | P46    |
| 卫生级换向阀<br>Sanitary Divert Seat Valve | P47-48 |
| 卫生级角座阀<br>Sanitary Angle Seat Valve  | P49    |
| 卫生级过滤器<br>Sanitary Filters           | P50-51 |
| 卫生级取样阀<br>Sanitary Sampling Valve    | P52-53 |
| 清洗球<br>Cleaning Ball                 | P54-56 |
| 视镜<br>Sight Glass                    | P56-58 |
| 人孔<br>Man Hole Cover                 | P59-62 |
| 卡箍<br>Clamps                         | P63    |
| 卡箍接头<br>Ferrule                      | P64-67 |
| 管支架<br>Pipe Holder                   | P68    |
| 由任组件<br>Unions                       | P69-78 |
| 管件<br>Pipe Fittings                  | P79-91 |
| 法兰<br>Flange                         | P92-94 |
| 泵<br>Pump                            | P95-99 |



电动蝶阀  
Electric butterfly valve



不锈钢气动蝶阀(立式)  
Stainless Steel Pneumatic  
Valve (Vertical)



### 应用 Applications

- 蝶阀，无论手动或者自动操作，都可以用到食品加工，制药和化工等工业的流体产品应用中。
- Butterfly valves, no matter manually or automatically, can be used in most fluid product applications in the food-processing, pharmaceutical and chemical industries.

### 工作原理 Operating Principles

- 蝶阀可以通过执行器自动操作也可由手柄手动操作。
- 手柄控制阀门“开”和“关闭”的位置，当然也可以调节到其他间的位置。
- 执行器把活塞的轴向运动转换成90度旋转运动，传输给蝶阀。
- The butterfly valves can be operated automatically through actuator or manually with the handle.
- The handle blocks the valve in the "open" or "closed" position, certainly there are the other position available.
- The actuator push piston of axial movement into 90 degree so that it controls butterfly valve.

### 技术规格 Technical specifications

- 最大压力: 10bar(DN-25/100)  
8bar(DN-125/150)
- 最小压力: 0.2bar p.abs
- 工作温度: -10°C到 +120°C (EPDM)
- Max.pressure: 10 bar (DN-25/100)  
8 bar (DN-125/150)
- Min.pressure: 0.2 bar p.abs
- Operating temperature: -10°C to +120°C (EPDM)

设计和特点  
Design and features

- 简洁有活力的设计
- 尺寸DN25/1" 到DN150/6"
- 多定位手柄尺寸到DN100/4"
- 拉杆手柄尺寸到DN125/150/6"
- 手动手柄和气动或电动执行器可互换
- 低压消耗
- 任何连接方式的阀体都可以进行更换
- Compact and robust design
- Available in sizes D N 25/1" to D N 150/6"
- The size of multi-position handle up to DN100/4"
- The size of pull handle up to DN125/150/6"
- Manual handle, pneumatic actuator and electric actuator can be exchangeable with each other
- Low pressure losses
- The valve body can be changeable with any kind of connection

材质  
Materials

- 蝶板: AISI 316L/304 (锻造)
- 阀体: AISI 316L/304 (锻造)
- 垫圈和密封圈: EPDM 根据 FDA 177.2600
- 手柄: AISI 304/PP
- 表面处理: Ra=0.8
- Butterfly plate: AISI316L/304(forged)
- Valve body: AISI316L/304(forged)
- Washer and gasket: EPDM which conforms to FDA 177.2600
- Handle: AISI304/PP
- Surface finishing: Ra=0.8

选项  
Options

- 垫圈材质有NBR,VMQ (硅胶) 或FPM (氟橡胶), 它们都符合FDA 177.2600
- 连接: 焊接, 卡箍, 螺纹, 单焊接单螺纹, 法兰式, DIN, SMS,RJT,ISO,IDF,3A
- 手柄: 二定位, 三定位, 四定位拉杆手柄, 多位塑料手柄, 多位不锈钢手柄
- 执行器: 不锈钢气动执行器, 铝制气动执行器, 电动执行器
- 控制: 位置传感器。
- The material of gasket contains NBR, VMQ or FPM, which all confirm to standard of FDA 177.2600
- Connection: weld, clamp, thread, single weld singlethread, flange
- Handle: two-position handle, three-position handle, four-position pull rod handle, multi-position plastic handle and multi-position stainless steel handle,DIN,SMS,RJT,ISO, IDF,3A
- Actuator: pneumatic stainless steel actuator, pneumatic aluminum actuator, electric actuator
- Control: position sensor.

铝制气动蝶阀(卧式)  
Pneumatic butterfly Valve

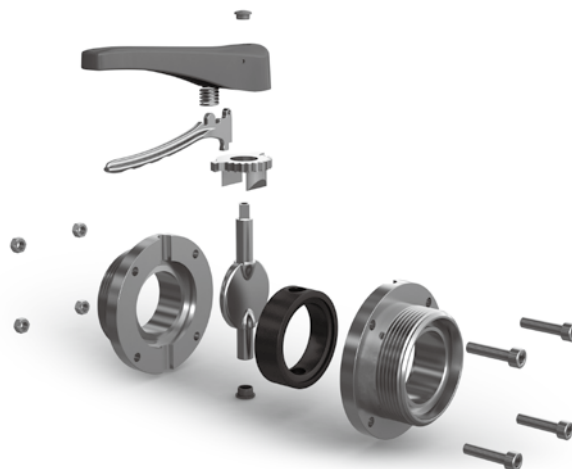
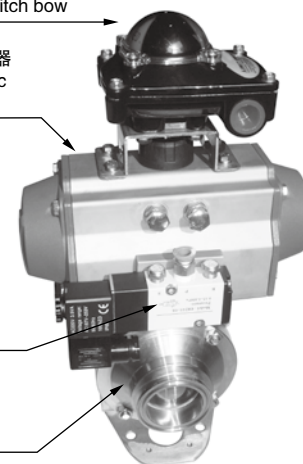


信号开关盒  
Signal switch bow

气动执行器  
Pneumatic Actuator

电磁阀  
Solenoid Valve

阀门  
Valve



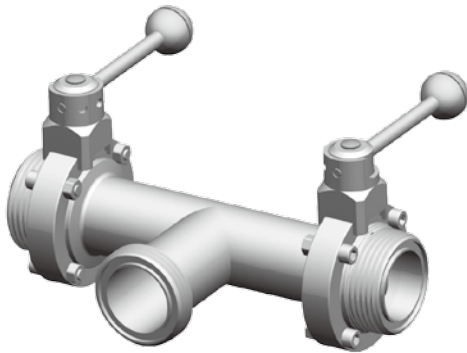
操作扭矩

Operating torque (N.m.)

|                                     |       |           |      |        |    |    |    |        |     |     |
|-------------------------------------|-------|-----------|------|--------|----|----|----|--------|-----|-----|
| 操作扭矩[N.M]<br>OPERATING TORQUE [N.M] | 25-1" | 40-1 1/2" | 50-2 | 2 1/2" | 65 | 3" | 80 | 100-4" | 125 | 150 |
|                                     | 8     | 10        | 14   | 15     | 18 | 18 | 20 | 35     | 55  | 70  |

在压力10Kgrs/cm<sup>2</sup>下检测 Detect under pressure of 10Kgrs/cm<sup>2</sup>

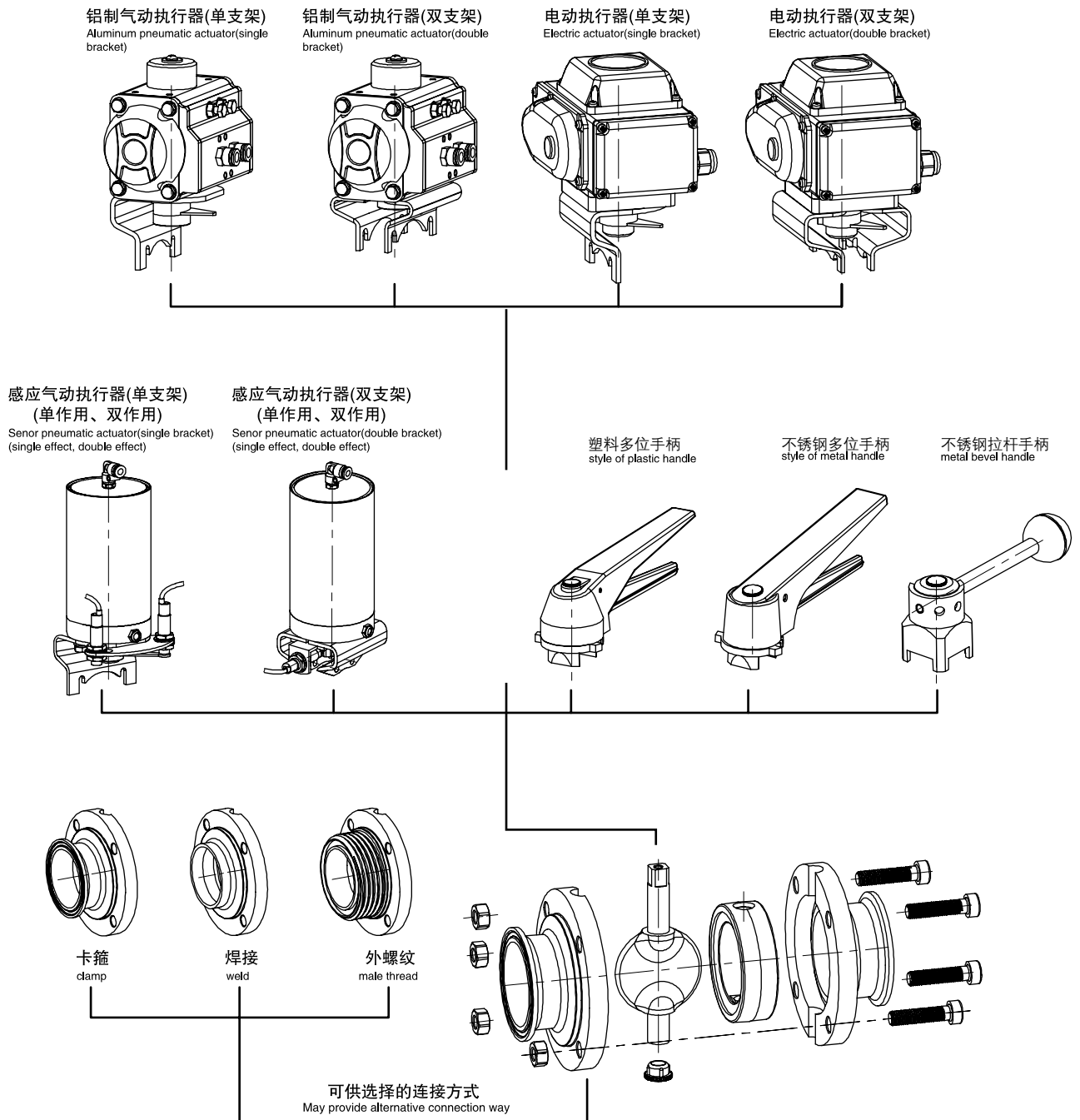
### 三通蝶阀技术参数 Technical Parameter



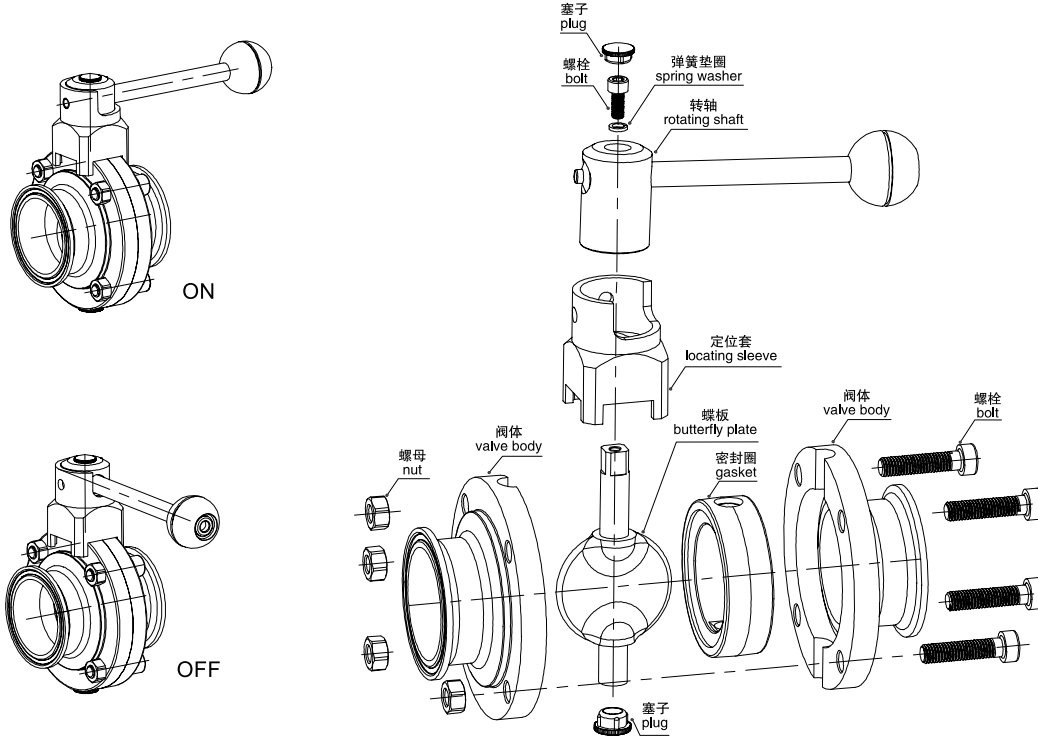
- 阀门结构: 三头阀门控制, 二头阀门控制, 一头阀门控制
  - 垫圈材质有NBR,VMQ (硅胶) 或FPM (氟橡胶), 它们都符合FDA 177.2600
  - 连接: 焊接, 卡箍, 螺纹, 单焊接单螺纹, 法兰式, DIN, SMS,RJT,ISO,IDF,3A
  - 手柄: 二定位, 三定位, 四定位拉杆手柄, 多位塑料手柄, 多位不锈钢手柄
  - 执行器: 不锈钢气动执行器, 铝制气动执行器, 电动执行器
  - 控制: 位置传感器。
- The structure of valves: three-side control valve, two-side control valve, single-side control valve
  - The material of gasket contains NBR, VMQ or FPM, which all confirm to standard of FDA 177.2600
  - Connection: weld, clamp, thread, single weld singlethread, flange
  - Handle: two-position handle, three-position handle, four-position pull rod handle, multi-position plastic handle and multi-position stainless steel handle,DIN,SMS,RJT,ISO,IDF,3A
  - Actuator: pneumatic stainless steel actuator, pneumatic aluminum actuator, electric actuator
  - Control: position sensor.



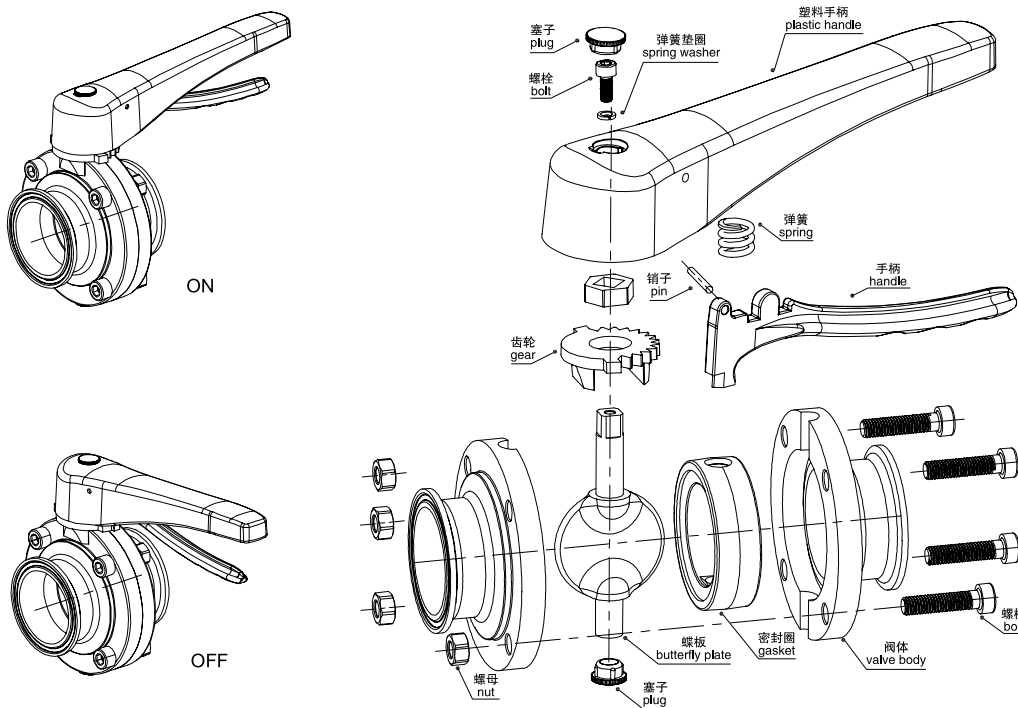
不同的驱动方式和手柄款式  
Different Ways of Drive And Styles Of Handle



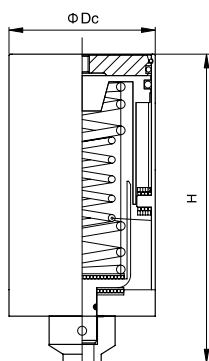
拉杆手柄蝶阀  
Butterfly Valve With Pull Rod Handle



多位手柄蝶阀  
Butterfly Valve With Multi-Position Handle



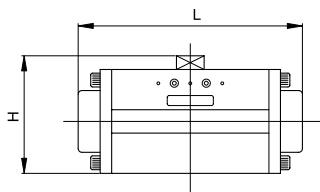
不锈钢气动执行器  
Stainless Steel Pneumatic Actuator



ST-V01

| Size | Dc   | H     | 可配蝶阀<br>match with butterfly valve |       | 可配球阀<br>match with ball valve |         |
|------|------|-------|------------------------------------|-------|-------------------------------|---------|
|      |      |       |                                    |       |                               |         |
| Φ85  | 85.0 | 180.5 | DN20-DN100                         | 1"-4" | DN20-DN50                     | 1"-2"   |
| Φ108 | 108  | 223   | DN125-DN150                        | 5"-6" | DN65-DN80                     | 2.5"-3" |
| Φ133 | 133  | 400   | DN200                              | 8"    | DN100                         | 4"      |

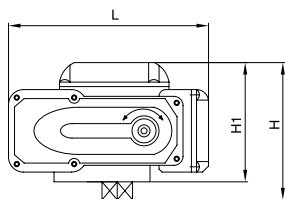
铝制气动执行器  
Aluminium Pneumatic Actuator



ST-V02

| Size | H     | L     | 可配蝶阀<br>match with butterfly valve |         | 可配球阀<br>match with ball valve |           |
|------|-------|-------|------------------------------------|---------|-------------------------------|-----------|
|      |       |       |                                    |         |                               |           |
| AT1  | 91.0  | 131.0 | DN20-DN40                          | 19"-45" | DN15-DN25                     | 1/2"-1"   |
| AT2  | 112.0 | 185.0 | DN50-DN100                         | 2"-4"   | DN32-DN50                     | 1 1/4"-2" |
| AT3  | 128.0 | 230.0 | DN125                              | 5"      | DN65-DN80                     | 2 1/2"-3" |
| AT4  | 154.0 | 290.0 | DN150-DN200                        | 6"-8"   | DN100                         | 3 1/2"-4" |

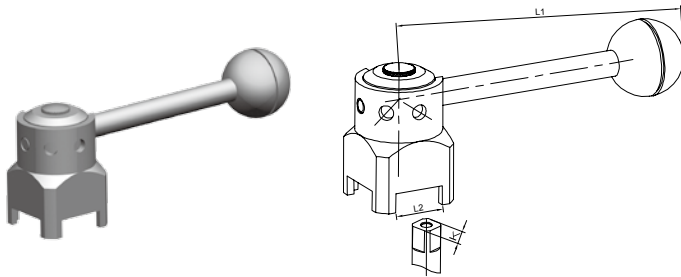
电动执行器  
Electric Actuator



ST-V03

| Size  | L     | H     | H1    | 可配蝶阀<br>match with butterfly valve |       | 可配球阀<br>match with ball valve |         |
|-------|-------|-------|-------|------------------------------------|-------|-------------------------------|---------|
|       |       |       |       |                                    |       |                               |         |
| HL-05 | 157.5 | 115.0 | 103.0 | DN20-DN100                         | 1"-4" | DN20-DN50                     | 1"-2"   |
| HL-10 | 208.0 | 124.0 | 115.0 | DN125-DN200                        | 5"-8" | DN65-DN80                     | 2.5"-3" |
| HL-20 | 280.0 | 135.0 | 109.0 |                                    |       | DN100                         | 4"      |

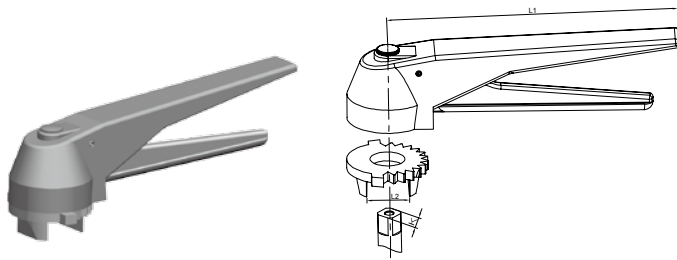
系列蝶阀手柄适用于所有类型蝶阀  
Butterfly Valve Handles Are Suitable For All Kinds Of Butterfly Valves



ST-V04

拉杆手柄  
Pulling Handle

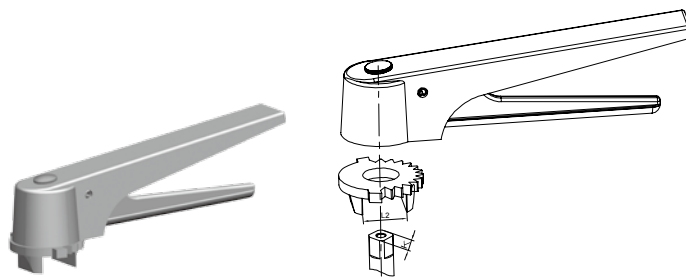
| Size        | L1        | L2  | K×K  |       |
|-------------|-----------|-----|------|-------|
| DN10-DN40   | 0.5"-1.5" | 126 | 20.2 | 8X8   |
| DN50        | 2"        | 133 | 20.2 | 10X10 |
| DN65        | 2.5"-3"   | 144 | 22.2 | 10X10 |
| DN80-DN100  | 3.5"-4"   | 160 | 22.2 | 11X11 |
| DN125-DN150 | 5"-6"     | 220 | 22.2 | 11X11 |
| DN200       | 8"        | 284 | 30.2 | 14X14 |



ST-V05

塑料多位手柄  
Plastic Multi-Position Handle

| Size       | L1        | L2  | K×K  |       |
|------------|-----------|-----|------|-------|
| DN10-DN40  | 0.5"-1.5" | 150 | 20.2 | 8X8   |
| DN50-DN65  | 2"-3"     | 150 | 20.2 | 10X10 |
| DN80-DN100 | 3.5"-4"   | 150 | 22.2 | 11X11 |

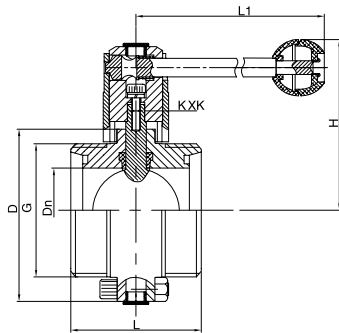


ST-V06

不锈钢多位手柄  
Stainless Steel Multi-Position Handle

| Size       | L1        | L2  | K×K  |       |
|------------|-----------|-----|------|-------|
| DN15-DN40  | 0.5"-1.5" | 155 | 20.2 | 8X8   |
| DN50-DN65  | 2"-3"     | 155 | 20.2 | 10X10 |
| DN80-DN150 | 3.5"-6"   | 155 | 22.2 | 11X11 |
| DN200      | 8"        | 230 | 30.2 | 14X14 |

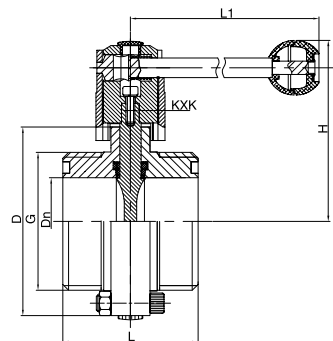




ST-V1001

螺纹蝶阀(DIN)  
Threaded Butterfly Valve(DIN)

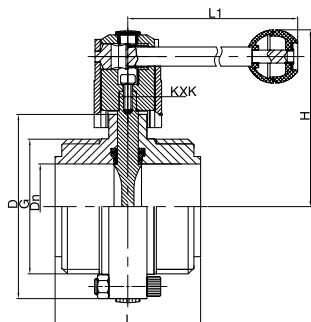
| Size  | DN  | D   | L   | L1  | H     | G         | KXK   |
|-------|-----|-----|-----|-----|-------|-----------|-------|
| DN10  | 10  | 78  | 66  | 126 | 86    | RD28x1/8  | 8x8   |
| DN15  | 15  | 78  | 66  | 126 | 86    | RD34x1/8  | 8x8   |
| DN20  | 19  | 78  | 66  | 126 | 86    | RD44x1/6  | 8x8   |
| DN25  | 25  | 78  | 66  | 126 | 86    | RD52x1/6  | 8x8   |
| DN32  | 31  | 86  | 70  | 126 | 90    | RD58x1/6  | 8x8   |
| DN40  | 37  | 90  | 74  | 126 | 92    | RD65x1/6  | 8x8   |
| DN50  | 49  | 106 | 76  | 133 | 104   | RD78x1/6  | 10x10 |
| DN65  | 66  | 124 | 80  | 144 | 113   | RD95x1/6  | 10x10 |
| DN80  | 81  | 139 | 84  | 160 | 123.5 | RD110x1/4 | 11x11 |
| DN100 | 100 | 159 | 104 | 160 | 133.5 | RD130x1/4 | 11x11 |
| DN125 | 125 | 185 | 130 | 220 | 146.5 | RD160x1/4 | 11x11 |
| DN150 | 150 | 215 | 150 | 220 | 161.5 | RD190x1/4 | 11x11 |



ST-V1002

螺纹蝶阀(SMS)  
Threaded Butterfly Valve(SMS)

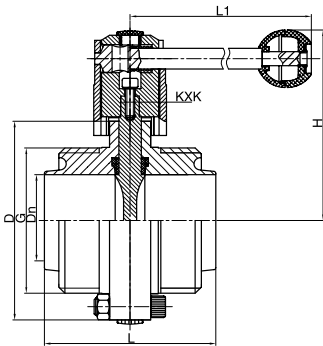
| Size   | DN   | D   | L   | L1  | H     | G         | KXK   |
|--------|------|-----|-----|-----|-------|-----------|-------|
| Φ19    | 16   | 78  | 66  | 126 | 86    | RD36x1/8  | 8x8   |
| Φ25    | 22.4 | 78  | 66  | 126 | 86    | RD40x1/6  | 8x8   |
| Φ32    | 28.8 | 78  | 66  | 126 | 86    | RD48x1/6  | 8x8   |
| Φ38    | 35.1 | 86  | 70  | 126 | 90    | RD60x1/6  | 8x8   |
| Φ51    | 47.8 | 102 | 76  | 133 | 102   | RD70x1/6  | 10x10 |
| Φ63    | 59.5 | 115 | 80  | 144 | 109   | RD85x1/6  | 10x10 |
| Φ76    | 72.2 | 128 | 84  | 144 | 115   | RD98x1/6  | 10x10 |
| Φ89    | 85   | 139 | 86  | 160 | 123.5 | RD110x1/6 | 11x11 |
| Φ102 小 | 97.6 | 154 | 104 | 160 | 131   | RD125x1/6 | 11x11 |
| Φ102 大 | 97.6 | 159 | 104 | 160 | 133.5 | RD132x1/6 | 11x11 |



ST-V1003

螺纹蝶阀(ISO/IDF)  
Threaded Butterfly Valve(ISO/IDF)

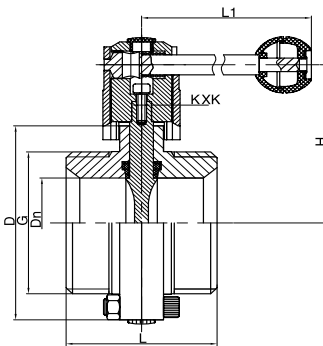
| Size    | DN   | D   | L   | L1  | H   | G             | KXK   |
|---------|------|-----|-----|-----|-----|---------------|-------|
| 1"      | 22.4 | 78  | 72  | 126 | 86  | 37.1x1/8Acme  | 8x8   |
| 1 1/2"  | 35.1 | 86  | 76  | 126 | 90  | 50.6x1/8Acme  | 8x8   |
| 2"      | 47.8 | 102 | 82  | 133 | 102 | 64.1x1/8Acme  | 10x10 |
| 2 1/2"  | 59.5 | 115 | 86  | 144 | 109 | 77.6x1/8Acme  | 10x10 |
| 3"      | 72.2 | 128 | 90  | 144 | 115 | 91.1x1/8Acme  | 10x10 |
| 4"(ISO) | 97.6 | 154 | 110 | 160 | 131 | 118.2x1/8Acme | 11x11 |
| 4"(IDF) | 97.6 | 154 | 110 | 160 | 131 | 125.9x1/6Acme | 11x11 |



ST-V1004

螺纹蝶阀(RJT)  
Threaded Butterfly Valve(RJT)

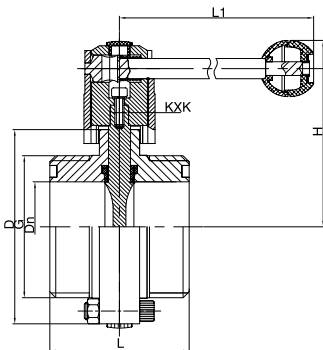
| Size   | DN   | D   | L   | L1  | H     | G              | KXK   |
|--------|------|-----|-----|-----|-------|----------------|-------|
| 1"     | 22.2 | 78  | 80  | 126 | 86    | 45.7x1/8TWHIT  | 8x8   |
| 1 1/2" | 34.9 | 86  | 80  | 126 | 90    | 58.4x1/8TWHIT  | 8x8   |
| 2"     | 47.6 | 102 | 84  | 133 | 102   | 72.7x1/6TWHIT  | 10x10 |
| 2 1/2" | 60.3 | 115 | 84  | 144 | 109   | 85.4x1/6TWHIT  | 10x10 |
| 3"     | 73.0 | 128 | 84  | 144 | 115   | 98.1x1/6TWHIT  | 10x10 |
| 4"     | 97.5 | 154 | 104 | 160 | 131   | 123.8x1/6TWHIT | 11x11 |
| 6"     | 148  | 215 | 150 | 220 | 161.5 | 174.3x1/6TWHIT | 11x11 |



ST-V1005

螺纹蝶阀(3A)  
Threaded Butterfly Valve(3A)

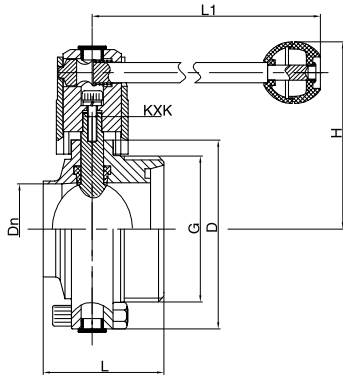
| Size   | DN   | D   | L   | L1  | H   | G             | KXK   |
|--------|------|-----|-----|-----|-----|---------------|-------|
| 1"     | 22.1 | 78  | 66  | 126 | 86  | 37.1x1/8Acme  | 8x8   |
| 1 1/4" | 28.8 | 78  | 70  | 126 | 86  | 45.9x1/8Acme  | 8x8   |
| 1 1/2" | 34.8 | 86  | 70  | 126 | 90  | 50.6x1/8Acme  | 8x8   |
| 2"     | 47.5 | 102 | 76  | 133 | 102 | 64.1x1/8Acme  | 10x10 |
| 2 1/2" | 60.2 | 115 | 80  | 144 | 109 | 77.6x1/8Acme  | 10x10 |
| 3"     | 72.9 | 128 | 84  | 144 | 115 | 91.1x1/8Acme  | 10x10 |
| 4"     | 97.4 | 154 | 104 | 160 | 131 | 119.2x1/6Acme | 11x11 |



ST-V1006

螺纹蝶阀(DS)  
Threaded Butterfly Valve(DS)

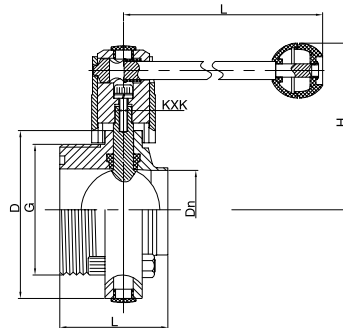
| Size   | DN   | D   | L   | L1  | H   | G         | KXK   |
|--------|------|-----|-----|-----|-----|-----------|-------|
| 1"     | 22.4 | 78  | 66  | 126 | 86  | RD44x1/6  | 8x8   |
| 1 1/4" | 28.8 | 78  | 66  | 126 | 86  | RD52x1/6  | 8x8   |
| 1 1/2" | 35.1 | 86  | 70  | 126 | 90  | RD58x1/6  | 8x8   |
| 2"     | 47.8 | 102 | 76  | 133 | 102 | RD72x1/6  | 10x10 |
| 2 1/2" | 59.5 | 115 | 80  | 144 | 109 | RD88x1/6  | 10x10 |
| 3"     | 72.2 | 128 | 84  | 144 | 115 | RD100x1/6 | 10x10 |
| 4"     | 97.6 | 154 | 104 | 160 | 131 | RD130x1/4 | 11x11 |



ST-V1007

单螺纹单焊接蝶阀(DIN)  
Male / Welded Butterfly Valve(DIN)

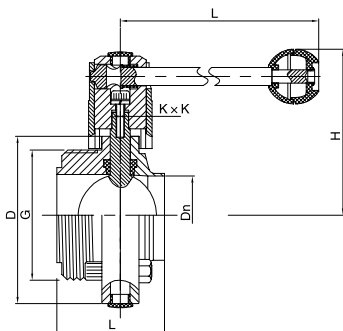
| Size  | DN  | D   | L   | L1  | H     | G         | KXK   |
|-------|-----|-----|-----|-----|-------|-----------|-------|
| DN10  | 10  | 78  | 58  | 126 | 86    | RD28x1/8  | 8x8   |
| DN15  | 15  | 78  | 58  | 126 | 86    | RD34x1/8  | 8x8   |
| DN20  | 19  | 78  | 58  | 126 | 86    | RD44x1/6  | 8x8   |
| DN25  | 25  | 78  | 58  | 126 | 86    | RD52x1/6  | 8x8   |
| DN32  | 31  | 86  | 60  | 126 | 90    | RD58x1/6  | 8x8   |
| DN40  | 37  | 90  | 62  | 126 | 92    | RD65x1/6  | 8x8   |
| DN50  | 49  | 106 | 64  | 133 | 104   | RD78x1/6  | 10x10 |
| DN65  | 66  | 124 | 68  | 144 | 113   | RD95x1/6  | 10x10 |
| DN80  | 81  | 139 | 72  | 160 | 123.5 | RD110x1/4 | 11x11 |
| DN100 | 100 | 159 | 84  | 160 | 133.5 | RD130x1/4 | 11x11 |
| DN125 | 125 | 185 | 105 | 220 | 146.5 | RD160x1/4 | 11x11 |
| DN150 | 150 | 215 | 120 | 220 | 161.5 | RD190x1/4 | 11x11 |



ST-V1008

单螺纹单焊接蝶阀(SMS)  
Male / Welded Butterfly Valve(SMS)

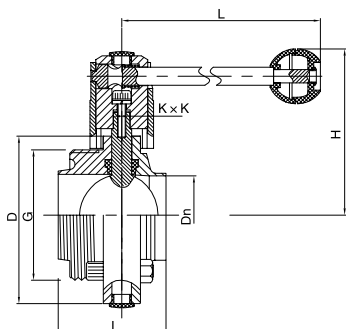
| Size    | DN   | D   | L  | L1  | H     | G         | KXK   |
|---------|------|-----|----|-----|-------|-----------|-------|
| Φ 19    | 16   | 78  | 58 | 126 | 86    | RD36x1/8  | 8x8   |
| Φ 25    | 22.4 | 78  | 58 | 126 | 86    | RD40x1/6  | 8x8   |
| Φ 32    | 28.8 | 78  | 58 | 126 | 86    | RD48x1/6  | 8x8   |
| Φ 38    | 35.1 | 86  | 60 | 126 | 90    | RD60x1/6  | 8x8   |
| Φ 51    | 47.8 | 102 | 64 | 133 | 102   | RD70x1/6  | 10x10 |
| Φ 63    | 59.5 | 115 | 68 | 144 | 109   | RD85x1/6  | 10x10 |
| Φ 76    | 72.2 | 128 | 70 | 144 | 115   | RD98x1/6  | 10x10 |
| Φ 89    | 85   | 139 | 73 | 160 | 123.5 | RD110x1/6 | 11x11 |
| Φ 102 小 | 97.6 | 154 | 84 | 160 | 131   | RD125x1/6 | 11x11 |
| Φ 102 大 | 97.6 | 159 | 84 | 160 | 133.5 | RD132x1/6 | 11x11 |



ST-V1009

单螺纹单焊接蝶阀(ISO/IDF)  
Male / Welded Butterfly Valve(ISO/IDF)

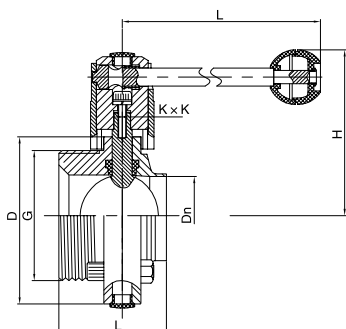
| Size    | DN   | D   | L  | L1  | H   | G             | KXK   |
|---------|------|-----|----|-----|-----|---------------|-------|
| 1"      | 22.4 | 78  | 61 | 126 | 86  | 37.1x1/8Acme  | 8x8   |
| 1 1/2"  | 35.1 | 86  | 63 | 126 | 90  | 50.6x1/8Acme  | 8x8   |
| 2"      | 47.8 | 102 | 67 | 133 | 102 | 64.1x1/8Acme  | 10x10 |
| 2 1/2"  | 59.5 | 115 | 71 | 144 | 109 | 77.6x1/8Acme  | 10x10 |
| 3"      | 72.2 | 128 | 73 | 144 | 115 | 91.1x1/8Acme  | 10x10 |
| 4"(ISO) | 97.6 | 154 | 87 | 160 | 131 | 118.2x1/8Acme | 11x11 |
| 4"(IDF) | 97.6 | 154 | 87 | 160 | 131 | 125.9x1/6Acme | 11x11 |



ST-V1010

单螺纹单焊接蝶阀(RJT)  
Male / Welded Butterfly Valve(RJT)

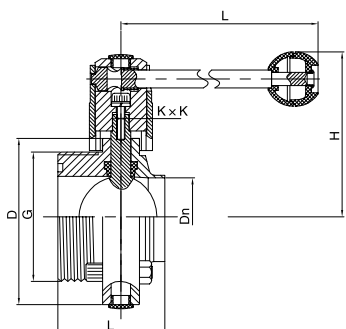
| Size   | DN   | D   | L   | L1  | H     | G              | KXK   |
|--------|------|-----|-----|-----|-------|----------------|-------|
| 1"     | 22.2 | 78  | 65  | 126 | 86    | 45.7x1/8TWHIT  | 8x8   |
| 1 1/2" | 34.9 | 86  | 65  | 126 | 90    | 58.4x1/8TWHIT  | 8x8   |
| 2"     | 47.6 | 102 | 68  | 133 | 102   | 72.7x1/6TWHIT  | 10x10 |
| 2 1/2" | 60.3 | 115 | 70  | 144 | 109   | 85.4x1/6TWHIT  | 10x10 |
| 3"     | 73.0 | 128 | 70  | 144 | 115   | 98.1x1/6TWHIT  | 10x10 |
| 4"     | 97.5 | 154 | 84  | 160 | 131   | 123.8x1/6TWHIT | 11x11 |
| 6"     | 148  | 215 | 120 | 220 | 161.5 | 174.3x1/6TWHIT | 11x11 |



ST-V1011

单螺纹单焊接蝶阀(3A)  
Male / Welded Butterfly Valve(3A)

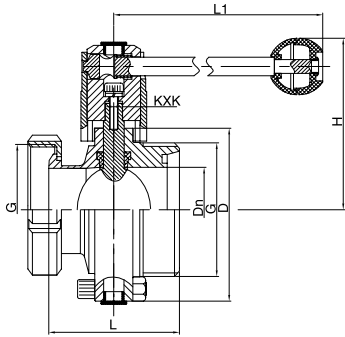
| Size   | DN   | D   | L  | L1  | H   | G             | KXK   |
|--------|------|-----|----|-----|-----|---------------|-------|
| 1"     | 22.1 | 78  | 58 | 126 | 86  | 37.1x1/8Acme  | 8x8   |
| 1 1/4" | 28.8 | 78  | 60 | 126 | 86  | 45.9x1/8Acme  | 8x8   |
| 1 1/2" | 34.8 | 86  | 60 | 126 | 90  | 50.6x1/8Acme  | 8x8   |
| 2"     | 47.5 | 102 | 64 | 133 | 102 | 64.1x1/8Acme  | 10x10 |
| 2 1/2" | 60.2 | 115 | 68 | 144 | 109 | 77.6x1/8Acme  | 10x10 |
| 3"     | 72.9 | 128 | 70 | 144 | 115 | 91.1x1/8Acme  | 10x10 |
| 4"     | 97.4 | 154 | 84 | 160 | 131 | 119.2x1/6Acme | 11x11 |



ST-V1012

单螺纹单焊接蝶阀(DS)  
Male / Welded Butterfly Valve(DS)

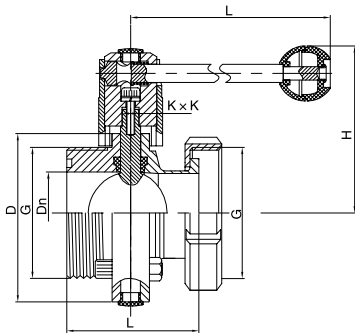
| Size   | DN   | D   | L  | L1  | H   | G         | KXK   |
|--------|------|-----|----|-----|-----|-----------|-------|
| 1"     | 22.4 | 78  | 58 | 126 | 86  | RD44x1/6  | 8x8   |
| 1 1/4" | 28.8 | 78  | 58 | 126 | 86  | RD52x1/6  | 8x8   |
| 1 1/2" | 35.1 | 86  | 60 | 126 | 90  | RD58x1/6  | 8x8   |
| 2"     | 47.8 | 102 | 64 | 133 | 102 | RD72x1/6  | 10x10 |
| 2 1/2" | 59.5 | 115 | 68 | 144 | 109 | RD88x1/6  | 10x10 |
| 3"     | 72.2 | 128 | 70 | 144 | 115 | RD100x1/6 | 10x10 |
| 4"     | 97.6 | 154 | 84 | 160 | 131 | RD130x1/4 | 11x11 |



ST-V1013

单螺纹单螺母蝶阀(DIN)  
Male / Nut Butterfly Valve(DIN)

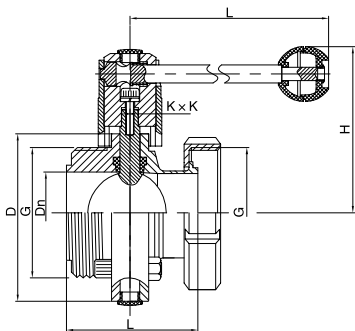
| Size  | DN  | D   | L   | L1  | H     | G         | KXK   |
|-------|-----|-----|-----|-----|-------|-----------|-------|
| DN10  | 10  | 78  | 75  | 126 | 86    | RD28x1/8  | 8x8   |
| DN15  | 15  | 78  | 75  | 126 | 86    | RD34x1/8  | 8x8   |
| DN20  | 19  | 78  | 76  | 126 | 86    | RD44x1/6  | 8x8   |
| DN25  | 25  | 78  | 80  | 126 | 86    | RD52x1/6  | 8x8   |
| DN32  | 31  | 86  | 85  | 126 | 90    | RD58x1/6  | 8x8   |
| DN40  | 37  | 90  | 88  | 126 | 92    | RD65x1/6  | 8x8   |
| DN50  | 49  | 106 | 92  | 133 | 104   | RD78x1/6  | 10x10 |
| DN65  | 66  | 124 | 100 | 144 | 113   | RD95x1/6  | 10x10 |
| DN80  | 81  | 139 | 109 | 160 | 123.5 | RD110x1/4 | 11x11 |
| DN100 | 100 | 159 | 128 | 160 | 133.5 | RD130x1/4 | 11x11 |
| DN125 | 125 | 185 | 139 | 220 | 146.5 | RD160x1/4 | 11x11 |
| DN150 | 150 | 215 | 157 | 220 | 161.5 | RD190x1/4 | 11x11 |



ST-V1014

单螺纹单螺母蝶阀(SMS)  
Male / Nut Butterfly Valve(SMS)

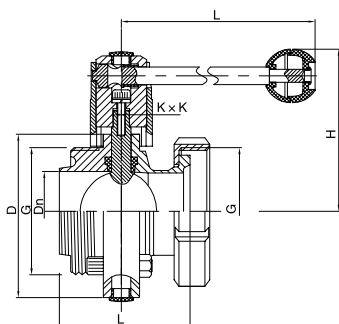
| Size   | DN   | D   | L   | L1  | H     | G         | KXK   |
|--------|------|-----|-----|-----|-------|-----------|-------|
| Φ19    | 16   | 78  | 70  | 126 | 86    | RD36x1/8  | 8x8   |
| Φ25    | 22.4 | 78  | 73  | 126 | 86    | RD40x1/6  | 8x8   |
| Φ32    | 28.8 | 78  | 78  | 126 | 86    | RD48x1/6  | 8x8   |
| Φ38    | 35.1 | 86  | 80  | 126 | 90    | RD60x1/6  | 8x8   |
| Φ51    | 47.8 | 102 | 84  | 133 | 102   | RD70x1/6  | 10x10 |
| Φ63    | 59.5 | 115 | 89  | 144 | 109   | RD85x1/6  | 10x10 |
| Φ76    | 72.2 | 128 | 91  | 144 | 115   | RD98x1/6  | 10x10 |
| Φ89    | 85   | 139 | 94  | 160 | 123.5 | RD110x1/6 | 11x11 |
| Φ102 小 | 97.6 | 154 | 105 | 160 | 131   | RD125x1/6 | 11x11 |
| Φ102 大 | 97.6 | 159 | 105 | 160 | 133.5 | RD132x1/6 | 11x11 |



ST-V1015

单螺纹单螺母蝶阀(ISO/IDF)  
Male / Nut Butterfly Valve(ISO/IDF)

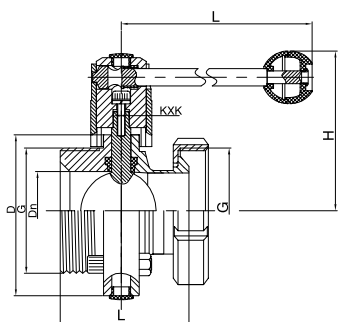
| Size    | DN   | D   | L     | L1  | H   | G             | KXK   |
|---------|------|-----|-------|-----|-----|---------------|-------|
| 1"      | 22.4 | 78  | 82.5  | 126 | 86  | 37.1x1/8Acme  | 8x8   |
| 1 1/2"  | 35.1 | 86  | 84.5  | 126 | 90  | 50.6x1/8Acme  | 8x8   |
| 2"      | 47.8 | 102 | 88.5  | 133 | 102 | 64.1x1/8Acme  | 10x10 |
| 2 1/2"  | 59.5 | 115 | 92.5  | 144 | 109 | 77.6x1/8Acme  | 10x10 |
| 3"      | 72.2 | 128 | 94.5  | 144 | 115 | 91.1x1/8Acme  | 10x10 |
| 4"(ISO) | 97.6 | 154 | 108.5 | 160 | 131 | 118.2x1/8Acme | 11x11 |
| 4"(IDF) | 97.6 | 154 | 117   | 160 | 131 | 125.9x1/6Acme | 11x11 |



ST-V1016

单螺纹单螺母蝶阀(RJT)  
Male / Nut Butterfly Valve(RJT)

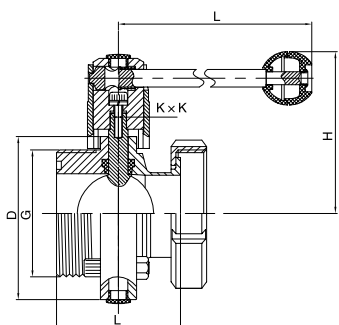
| Size   | DN   | D   | L     | L1  | H     | G              | KXK   |
|--------|------|-----|-------|-----|-------|----------------|-------|
| 1"     | 22.2 | 78  | 77.7  | 126 | 86    | 45.7x1/8TWHIT  | 8x8   |
| 1 1/2" | 34.9 | 86  | 77.7  | 126 | 90    | 58.4x1/8TWHIT  | 8x8   |
| 2"     | 47.6 | 102 | 80.7  | 133 | 102   | 72.7x1/6TWHIT  | 10x10 |
| 2 1/2" | 60.3 | 115 | 82.7  | 144 | 109   | 85.4x1/6TWHIT  | 10x10 |
| 3"     | 73.0 | 128 | 82.7  | 144 | 115   | 98.1x1/6TWHIT  | 10x10 |
| 4"     | 97.5 | 154 | 109.4 | 160 | 131   | 123.8x1/6TWHIT | 11x11 |
| 6"     | 148  | 215 | 143.5 | 220 | 161.5 | 174.3x1/6TWHIT | 11x11 |



ST-V1017

单螺纹单螺母蝶阀(3A)  
Male / Nut Butterfly Valve(3A)

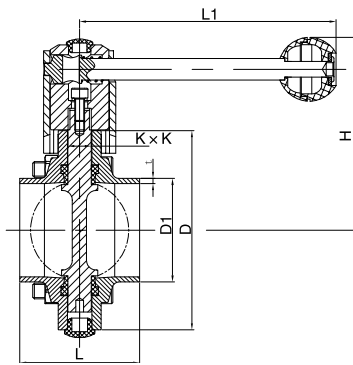
| Size   | DN   | D   | L     | L1  | H   | G             | KXK   |
|--------|------|-----|-------|-----|-----|---------------|-------|
| 1"     | 22.1 | 78  | 92.9  | 126 | 86  | 37.1x1/8Acme  | 8x8   |
| 1 1/4" | 28.8 | 78  | 94.9  | 126 | 86  | 45.9x1/8Acme  | 8x8   |
| 1 1/2" | 34.8 | 86  | 98.1  | 126 | 90  | 50.6x1/8Acme  | 8x8   |
| 2"     | 47.5 | 102 | 102.1 | 133 | 102 | 64.1x1/8Acme  | 10x10 |
| 2 1/2" | 60.2 | 115 | 112.5 | 144 | 109 | 77.6x1/8Acme  | 10x10 |
| 3"     | 72.9 | 128 | 114.5 | 144 | 115 | 91.1x1/8Acme  | 10x10 |
| 4"     | 97.4 | 154 | 128.5 | 160 | 131 | 119.2x1/6Acme | 11x11 |



ST-V1018

单螺纹单螺母蝶阀(DS)  
Male / Nut Butterfly Valve(DS)

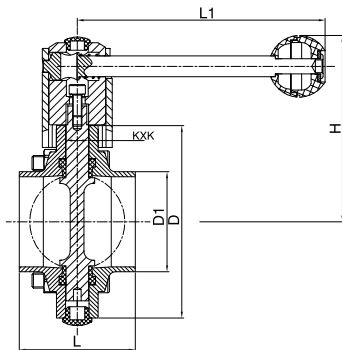
| Size   | DN   | D   | L   | L1  | H   | G         | KXK   |
|--------|------|-----|-----|-----|-----|-----------|-------|
| 1"     | 22.4 | 78  | 74  | 126 | 86  | RD44x1/6  | 8x8   |
| 1 1/4" | 28.8 | 78  | 74  | 126 | 86  | RD52x1/6  | 8x8   |
| 1 1/2" | 35.1 | 86  | 78  | 126 | 90  | RD58x1/6  | 8x8   |
| 2"     | 47.8 | 102 | 84  | 133 | 102 | RD72x1/6  | 10x10 |
| 2 1/2" | 59.5 | 115 | 90  | 144 | 109 | RD88x1/6  | 10x10 |
| 3"     | 72.2 | 128 | 94  | 144 | 115 | RD100x1/6 | 10x10 |
| 4"     | 97.6 | 154 | 114 | 160 | 131 | RD130x1/4 | 11x11 |



ST-V1019

焊接蝶阀(DIN)  
Welded Butterfly Valve(DIN)

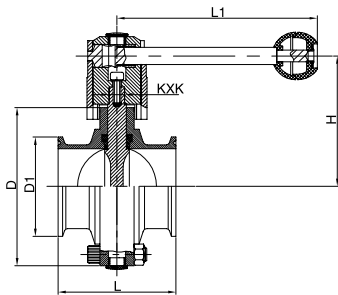
| Size  | D1  |    | D   | L  | L1  | H     | T   | KXK   |
|-------|-----|----|-----|----|-----|-------|-----|-------|
|       | 1   | 2  |     |    |     |       |     |       |
| DN10  | 12  | 13 | 78  | 50 | 126 | 86    | 1.5 | 8x8   |
| DN15  | 18  | 19 | 78  | 50 | 126 | 86    | 1.5 | 8x8   |
| DN20  | 22  | 23 | 78  | 50 | 126 | 86    | 1.5 | 8x8   |
| DN25  | 28  | 29 | 78  | 50 | 126 | 86    | 1.5 | 8x8   |
| DN32  | 34  | 35 | 86  | 50 | 126 | 90    | 1.5 | 8x8   |
| DN40  | 40  | 41 | 90  | 50 | 126 | 92    | 1.5 | 8x8   |
| DN50  | 52  | 53 | 106 | 52 | 133 | 104   | 1.5 | 10x10 |
| DN65  | 70  | -  | 124 | 56 | 144 | 113   | 2.0 | 10x10 |
| DN80  | 85  | -  | 139 | 60 | 160 | 123.5 | 2.0 | 11x11 |
| DN100 | 104 | -  | 159 | 64 | 160 | 133.5 | 2.0 | 11x11 |
| DN125 | 129 | -  | 185 | 80 | 220 | 146.5 | 2.0 | 11x11 |
| DN150 | 154 | -  | 215 | 90 | 220 | 161.5 | 2.0 | 11x11 |
| DN200 | 204 | -  | 285 | 90 | 284 | 199   | 2.0 | 14x14 |



ST-V1020

焊接蝶阀(3A, SMS, ISO, DS)  
Welded Butterfly Valve(3A, SMS, ISO, DS)

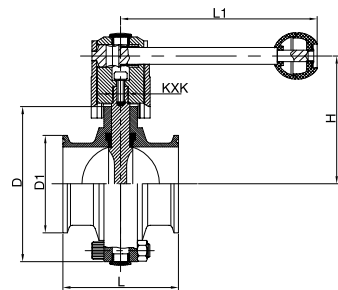
| Size   | D1    | D   | L  | L1  | H     | KXK   |
|--------|-------|-----|----|-----|-------|-------|
| 1/2"   | 12.7  | 78  | 50 | 126 | 86    | 8x8   |
| 3/4"   | 19    | 78  | 50 | 126 | 86    | 8x8   |
| 1"     | 25.4  | 78  | 50 | 126 | 86    | 8x8   |
| 1 1/4" | 31.8  | 78  | 50 | 126 | 86    | 8x8   |
| 1 1/2" | 38.1  | 86  | 50 | 126 | 90    | 8x8   |
| 45     | 45    | 90  | 50 | 126 | 92    | 8x8   |
| 48     | 48    | 95  | 52 | 126 | 95    | 8x8   |
| 2"     | 50.8  | 102 | 52 | 133 | 102   | 10x10 |
| 57     | 57    | 106 | 52 | 144 | 104   | 10x10 |
| 2 1/2" | 63.5  | 115 | 56 | 144 | 109   | 10x10 |
| 3"     | 76.2  | 128 | 56 | 144 | 115   | 10x10 |
| 3.5"   | 89    | 139 | 60 | 144 | 123.5 | 11x11 |
| 4"     | 102   | 154 | 64 | 144 | 131   | 11x11 |
| 108    | 108   | 159 | 64 | 160 | 133.5 | 11x11 |
| 114    | 114.3 | 185 | 80 | 160 | 133.5 | 11x11 |
| 5"     | 127   | 185 | 80 | 220 | 146.5 | 11x11 |
| 133    | 133   | 215 | 80 | 220 | 146.5 | 11x11 |
| 6"     | 152.4 | 215 | 90 | 220 | 161.5 | 11x11 |
| 159    | 159   | 215 | 90 | 220 | 161.5 | 11x11 |
| 168.3  | 168.3 | 215 | 90 | 220 | 161.5 | 11x11 |
| 8"     | 203.2 | 285 | 90 | 284 | 199   | 14x14 |
| 219    | 219   | 285 | 90 | 284 | 199   | 14x14 |



ST-V1021

卡箍蝶阀(DIN)  
Clamped Butterfly Valve(DIN)

| Size  | D1    | D   | L   | L1  | H     | KXK   |
|-------|-------|-----|-----|-----|-------|-------|
| DN10  | 34    | 78  | 66  | 126 | 86    | 8x8   |
| DN15  | 34    | 78  | 66  | 126 | 86    | 8x8   |
| DN20  | 34    | 78  | 66  | 126 | 86    | 8x8   |
| DN25  | 50.5  | 78  | 66  | 126 | 86    | 8x8   |
| DN32  | 50.5  | 78  | 66  | 126 | 86    | 8x8   |
| DN40  | 50.5  | 86  | 70  | 126 | 90    | 8x8   |
| DN50  | 64    | 102 | 76  | 133 | 102   | 10x10 |
| DN65  | 91    | 120 | 80  | 144 | 111   | 10x10 |
| DN80  | 106   | 134 | 84  | 160 | 121   | 11x11 |
| DN100 | 119   | 154 | 104 | 160 | 131   | 11x11 |
| DN125 | 144.5 | 185 | 122 | 220 | 146.5 | 11x11 |
| DN125 | 155   | 185 | 122 | 220 | 146.5 | 11x11 |
| DN150 | 167   | 215 | 146 | 220 | 161.5 | 11x11 |
| DN150 | 183   | 215 | 146 | 220 | 161.5 | 11x11 |
| DN200 | 217.4 | 285 | 166 | 284 | 199   | 14x14 |
| DN200 | 233.5 | 285 | 166 | 284 | 199   | 14x14 |

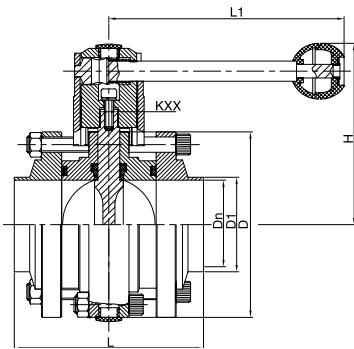


ST-V1022

卡箍蝶阀(3A, SMS, ISO, DS)  
Clamped Butterfly Valve(3A, SMS, ISO, DS)

| Size   | D1    | D   | L     | L1  | H     | KXK   |
|--------|-------|-----|-------|-----|-------|-------|
| 1/2"   | 25.4  | 78  | 66    | 126 | 86    | 8x8   |
| 3/4"   | 25.4  | 78  | 66    | 126 | 86    | 8x8   |
| 1"     | 50.5  | 78  | 66    | 126 | 86    | 8x8   |
| 1 1/4" | 50.5  | 78  | 66    | 126 | 86    | 8x8   |
| 1 1/2" | 50.5  | 86  | 70    | 126 | 90    | 8x8   |
| 45     | 64    | 90  | 74    | 126 | 92    | 8x8   |
| 48     | 64    | 95  | 76    | 126 | 95    | 8x8   |
| 2"     | 64    | 102 | 76    | 133 | 102   | 10x10 |
| 57     | 77.5  | 106 | 76    | 144 | 104   | 10x10 |
| 2 1/2" | 77.5  | 115 | 80    | 144 | 109   | 10x10 |
| 3"     | 91    | 128 | 84    | 144 | 115   | 10x10 |
| 3.5"   | 106   | 139 | 86    | 144 | 123.5 | 11x11 |
| 4"     | 119   | 154 | 104   | 144 | 131   | 11x11 |
| 108    | 119   | 159 | 106   | 160 | 133.5 | 11x11 |
| 114    | 130   | 159 | 106   | 160 | 133.5 | 11x11 |
| 5"     | 144.5 | 185 | 122   | 220 | 146.5 | 11x11 |
| 133    | 155   | 185 | 122   | 220 | 146.5 | 11x11 |
| 6"     | 167   | 215 | 146   | 220 | 161.5 | 11x11 |
| 159    | 183   | 215 | 146   | 220 | 161.5 | 11x11 |
| 168.3  | 183   | 215 | 146   | 220 | 161.5 | 11x11 |
| 8"     | 217.4 | 285 | 166.8 | 284 | 199   | 14x14 |
| 219    | 233.5 | 285 | 166.8 | 284 | 199   | 14x14 |

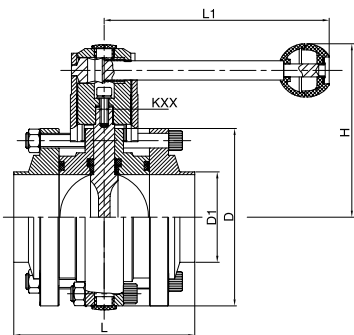




ST-V1023

三片式蝶阀(DIN)  
Three-Piece Butterfly Valve(DIN)

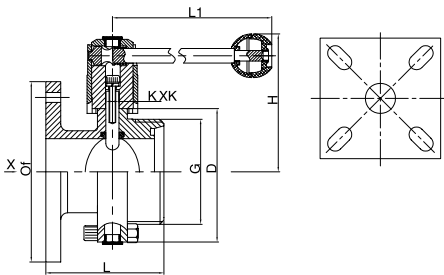
| SIZE  | D1  |    | D   | L   | L1  | H     | t   | KXX   |
|-------|-----|----|-----|-----|-----|-------|-----|-------|
|       | 1   | 2  |     |     |     |       |     |       |
| DN10  | 12  | 13 | 78  | 100 | 126 | 86    | 1.5 | 8X8   |
| DN15  | 18  | 19 | 78  | 100 | 126 | 86    | 1.5 | 8X8   |
| DN20  | 22  | 23 | 78  | 100 | 126 | 86    | 1.5 | 8X8   |
| DN25  | 28  | 29 | 78  | 100 | 126 | 86    | 1.5 | 8X8   |
| DN32  | 34  | 35 | 78  | 100 | 126 | 86    | 1.5 | 8X8   |
| DN40  | 40  | 41 | 90  | 100 | 126 | 92    | 1.5 | 8X8   |
| DN50  | 52  | 53 | 102 | 104 | 133 | 102   | 1.5 | 10X10 |
| DN65  | 70  | -  | 120 | 112 | 144 | 111   | 2.0 | 10X10 |
| DN80  | 85  | -  | 134 | 120 | 160 | 121   | 2.0 | 11X11 |
| DN100 | 104 | -  | 154 | 128 | 160 | 131   | 2.0 | 11X11 |
| DN125 | 129 | -  | 185 | 160 | 220 | 146.5 | 2.0 | 11X11 |
| DN150 | 154 | -  | 215 | 180 | 220 | 161.5 | 2.0 | 11X11 |
| DN200 | 204 | -  | 285 | 180 | 284 | 199   | 2.0 | 14X14 |



ST-V1024

三片式蝶阀(3A, SMS, ISO, DS)  
Three-Piece Butterfly Valve(3A, SMS, ISO, DS)

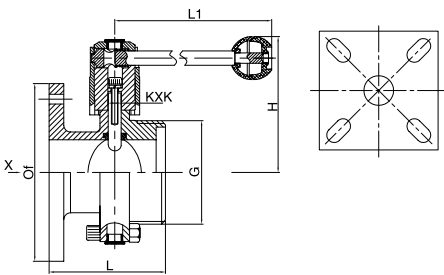
| SIZE   | D1    | D   | L   | L1  | H     | KXX   |
|--------|-------|-----|-----|-----|-------|-------|
| 1/2"   | 12.7  | 78  | 100 | 126 | 86    | 8X8   |
| 3/4"   | 19    | 78  | 100 | 126 | 86    | 8X8   |
| 1"     | 25.4  | 78  | 100 | 126 | 86    | 8X8   |
| 1 1/4" | 31.8  | 78  | 100 | 126 | 86    | 8X8   |
| 1 1/2" | 38.1  | 86  | 100 | 126 | 90    | 8X8   |
| 45     | 45    | 90  | 100 | 126 | 92    | 8X8   |
| 2"     | 50.8  | 102 | 104 | 133 | 102   | 10X10 |
| 57     | 57    | 102 | 104 | 144 | 104   | 10X10 |
| 2 1/2" | 63.5  | 115 | 112 | 144 | 109   | 10X10 |
| 3"     | 76.2  | 128 | 112 | 144 | 115   | 10X10 |
| 3.5"   | 89    | 139 | 120 | 144 | 123.5 | 11X11 |
| 4"     | 101.6 | 154 | 128 | 144 | 131   | 11X11 |
| 108    | 108   | 159 | 128 | 160 | 133.5 | 11X11 |
| 114    | 114.3 | 159 | 128 | 160 | 133.5 | 11X11 |
| 5"     | 127   | 185 | 160 | 220 | 146.5 | 11X11 |
| 133    | 133   | 185 | 160 | 220 | 146.5 | 11X11 |
| 6"     | 152.4 | 215 | 180 | 220 | 161.5 | 11X11 |
| 159    | 159   | 215 | 180 | 220 | 161.5 | 11X11 |
| 168.3  | 168.3 | 215 | 180 | 220 | 161.5 | 11X11 |
| 8"     | 203.2 | 285 | 180 | 284 | 199   | 14X14 |
| 219    | 219   | 285 | 180 | 284 | 199   | 14X14 |



ST-V1025

单四方法兰单螺纹蝶阀(DIN)  
Square Flange/ Threaded Butterfly Valve(DIN)

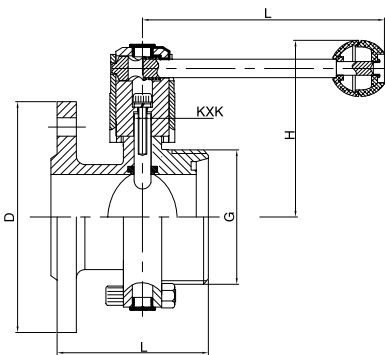
| SIZE  | D   | Of      | L  | L1  | H     | KXK   | G         |
|-------|-----|---------|----|-----|-------|-------|-----------|
| DN15  | 78  | 100X100 | 68 | 126 | 86    | 8X8   | RD34X1/8  |
| DN20  | 78  | 100X100 | 68 | 126 | 86    | 8X8   | RD44X1/6  |
| DN25  | 78  | 100X100 | 68 | 126 | 86    | 8X8   | RD52X1/6  |
| DN32  | 86  | 100X100 | 70 | 126 | 90    | 8X8   | RD58X1/6  |
| DN40  | 90  | 100X100 | 72 | 126 | 92    | 8X8   | RD65X1/6  |
| DN50  | 106 | 100X100 | 74 | 133 | 104   | 10X10 | RD78X1/6  |
| DN65  | 124 | 120X120 | 80 | 144 | 113   | 10X10 | RD95X1/6  |
| DN80  | 139 | 140X140 | 85 | 160 | 123.5 | 11X11 | RD110X1/4 |
| DN100 | 159 | 140X140 | 96 | 160 | 133.5 | 11X11 | RD130X1/4 |



ST-V1026

单四方法兰单螺纹蝶阀(FIL)  
Square Flange /Threaded Butterfly Valve(FIL)

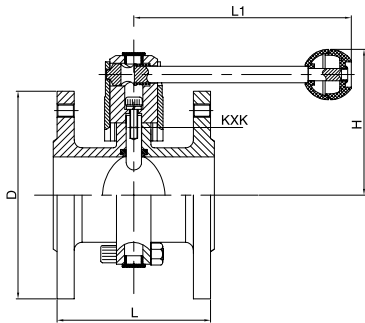
| SIZE  | Of      | L  | L1  | H     | KXK   | G      |
|-------|---------|----|-----|-------|-------|--------|
| DN40  | 100X100 | 69 | 126 | 92    | 8X8   | 55X3   |
| DN50  | 100X100 | 69 | 133 | 104   | 10X10 | 67X3   |
| DN65  | 120X120 | 71 | 144 | 113   | 10X10 | 90X3.5 |
| DN80  | 140X140 | 88 | 160 | 123.5 | 11X11 | 104X4  |
| DN100 | 140X140 | 94 | 160 | 133.5 | 11X11 | 125X4  |



ST-V1027

单圆法兰单螺纹蝶阀(DIN)  
Round Flange/Threaded Butterfly Valve(DIN)

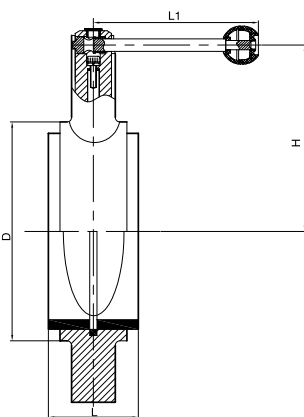
| SIZE  | D   | G(Rd)     | L   | L1  | H   | KXK   |
|-------|-----|-----------|-----|-----|-----|-------|
| DN25  | 115 | RD52X1/6  | 80  | 126 | 80  | 8X8   |
| DN32  | 135 | RD58X1/6  | 86  | 126 | 80  | 8X8   |
| DN40  | 145 | RD65X1/6  | 92  | 126 | 86  | 8X8   |
| DN50  | 160 | RD78X1/6  | 94  | 133 | 106 | 10X10 |
| DN65  | 180 | RD95X1/6  | 104 | 144 | 115 | 10X10 |
| DN80  | 195 | RD110X1/4 | 110 | 160 | 122 | 11X11 |
| DN100 | 215 | RD130X1/4 | 130 | 160 | 132 | 11X11 |
| DN125 | 245 | RD160X1/4 | 154 | 220 | 147 | 11X11 |
| DN150 | 280 | RD190X1/4 | 174 | 220 | 162 | 11X11 |



ST-V1028

两边法兰式蝶阀  
Flanged Butterfly Valve

| SIZE  | D   | L   | L1  | H   | KXK   |
|-------|-----|-----|-----|-----|-------|
| DN25  | 115 | 94  | 126 | 80  | 8X8   |
| DN32  | 135 | 102 | 126 | 80  | 8X8   |
| DN40  | 145 | 110 | 126 | 86  | 8X8   |
| DN50  | 160 | 112 | 133 | 106 | 10X10 |
| DN65  | 180 | 124 | 144 | 115 | 10X10 |
| DN80  | 195 | 130 | 160 | 122 | 11X11 |
| DN100 | 215 | 152 | 160 | 132 | 11X11 |
| DN125 | 245 | 178 | 220 | 147 | 11X11 |
| DN150 | 280 | 198 | 220 | 162 | 11X11 |



ST-V1029

D71对夹式蝶阀  
D71 wafer butterfly valve

| SIZE  | D   | L  | L1  | H   |
|-------|-----|----|-----|-----|
| DN40  | 85  | 38 | 124 | 122 |
| DN50  | 95  | 39 | 130 | 127 |
| DN65  | 107 | 42 | 130 | 133 |
| DN80  | 125 | 43 | 140 | 142 |
| DN100 | 156 | 46 | 158 | 158 |
| DN125 | 180 | 55 | 220 | 160 |
| DN150 | 205 | 55 | 220 | 170 |
| DN200 | 250 | 60 | 280 | 210 |



该蝶阀为对夹式蝶阀，用两片法兰将其阀门对夹即可，可选择不同压力的法兰。

驱动方式: 手动, 气动, 电动

密封材质: EPDM, FPM, SILICON

The butterfly valve is wafer butterfly valve, that is to say, it just can be clamped by two pieces of flanges. Operators can choose any flanges with different pressure.

The way of drive: manually, pneumatically, electrically

Sealing material: EPDM, FPM, SILICON



### 应用 Applications

- 隔膜阀，手动或气动操作，专门应用于制药工业中的卫生和无菌过程。
- 该阀门非常适用于流体控制和开/关的任务。
- Diaphragm valves, manually or pneumatically operated, are specifically designed for use on hygienic and aseptic processes in the pharmaceutical industries.
- The valve is excellent for flow control as well as for open/close duties.

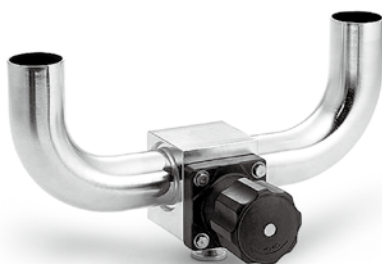
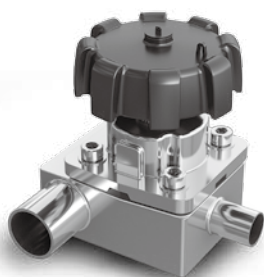
### 工作原理 Operating Principles

- 膜片提供阀体密封和阀座密封。里面没有路径通到外部环境，所以该阀门适用于无菌过程。
- 当阀门关闭时，支撑膜片的压力垫朝阀体上的密封面移动。当压力板移动时，膜片弯曲，被迫推向阀体中心的阀座区域，因此关闭了通向阀体的流体路径。
- 阀体和压力板的相互关系，防止了膜片的挤压。
- 该阀门可以手动也可以气动操作，也可以通过控制器和电磁阀控制。
- The diaphragm provides the body seal as well as the seat seal. There are no paths to the outside environment and as such the valve is suitable for aseptic processes.
- As the valve is closed a pressure pad which supports the diaphragm moves towards the sealing face on the body. As the pressure plate moves the diaphragm flexes and is forced down onto the seat area in the centre of the body thus closing off the flow path through the body.
- The inter-relationship of body to the pressure plate prevents over compression of the diaphragm.
- The valve can be actuated either manually or pneumatically and controlled by control tops and solenoid valves.



### 技术规格 Technical specifications

- |  |   |
|--|---|
| • 最大压力 10bar ( 145 PSI )   | • Max. pressure: 10 BAR(145PSI)   |
| • 最大工作温度 -10°C +120°C (EPDM) -14 ° F +248 ° F ( +140 °C (SIP, 30 ) 284 ° F ) | • Working temperature: -10°C to +120°C (EPDM) -14 ° F to 248 ° F (+140 °C (SIP, max. 30 min) 284 ° F) |



**EPDM Silicon  
Viton PTFE+EPDM**

## 设计和特点 Design and features

- 该隔膜阀同其他阀门设计相比，该阀门有着优越的流量特点。更容易清洁，很好的处理带颗粒的物料，在流量控制的应用上，气穴现象也更少些。
  - 迷你型隔膜阀规格：1/4", 3/8", 1/2", 3/4"
  - 隔膜阀规格：1", 1 1/4", 1.5", 2", 2.5", 3", 4"
  - 适用于CIP/SIP
  - 和物料接触部分 AISI 316L
  - 其他不锈钢部分 AISI 304
  - 内表面处理 亮光Ra ≤ 0.5 μm
  - 外表面处理 亚光/亮光
- The diaphragm valves are better in feature of flow in comparison with other valves. It is easier to clean up and better to process the substance with particles. The phenomenon of air pocket is rare during application of flow control.
  - Mini diaphragm valve available size: 1/4", 3/8", 1/2", 3/4"
  - Diaphragm valve available size: 1", 1 1/4", 1 1/2", 2", 2.5", 3", 4"
  - Suitable for CIP/SIP.
  - Parts in contact with the product: AISI 316L,
  - Other stainless steel parts: AISI 304,
  - Internal surface finish bright, Ra ≤ 0.5 μm
  - External surface finish satin/bright

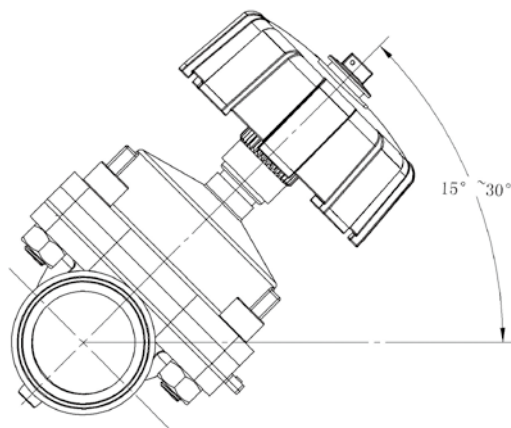
## 选项 Options

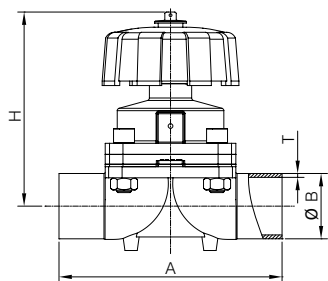
- 连接（标准）：卡箍、焊接、螺纹，DIN SMS IDF ISO 3A BPE
  - 阀体结构：直通、三通、U型
  - 膜片材料：EPDM, SILICON(硅胶)  
EPDM+PTFE(双层膜片)符合FDA 177.2600
- Connections(standard): clamp, weld, thread, DIN SMS IDF ISO 3A BPE
  - Body construction: Straight, Three ways, U type
  - Diaphragms in EPDM, SILICON, EPDM+PTFE, all of them according to FDA 177.2600

## 隔膜阀最优安装角度示意图 Optimal Installation Angle Diagram

无菌隔膜阀根据其结构特点：推荐15-30角度安装（根据不同的规格而定），有利于阀门清洗后完全排泄，不易造成液体滞留阀门内部。

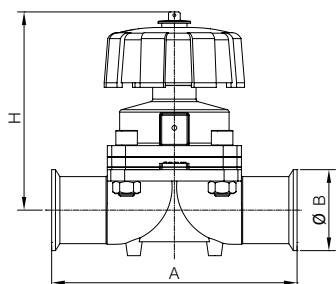
According to the structure feature, fifteen thirty degree is optimal, which makes for complete drain after cleaning and keep no residue.





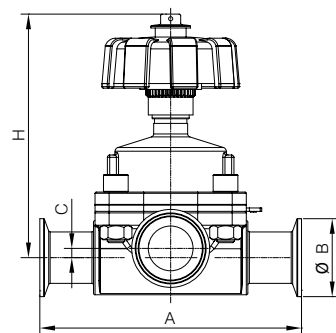
ST-V1030 焊接式隔膜阀  
Welded Diaphragm Valve

| Size   | A     | B    | H         | T    |
|--------|-------|------|-----------|------|
| 1"     | 118.0 | 25.4 | 111.5/122 | 1.65 |
| 1 1/4" | 127.0 | 31.8 | 144.5/160 | 1.65 |
| 1 1/2" | 146.0 | 38.1 | 144.5/160 | 1.65 |
| 2"     | 190.0 | 50.8 | 167/190   | 1.65 |
| 2 1/2" | 216.0 | 63.5 | 199/228   | 1.65 |



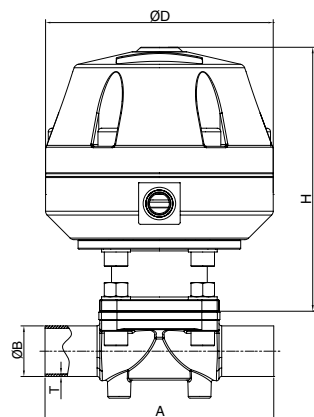
ST-V1031 卡箍式隔膜阀  
Clamped Diaphragm Valve

| Size   | A     | B    | H         |
|--------|-------|------|-----------|
| 1"     | 118.0 | 50.5 | 111.5/122 |
| 1 1/4" | 127.0 | 50.5 | 144.5/160 |
| 1 1/2" | 146.0 | 50.5 | 144.5/160 |
| 2"     | 190.0 | 64.0 | 167/190   |
| 2 1/2" | 216.0 | 77.5 | 199/228   |



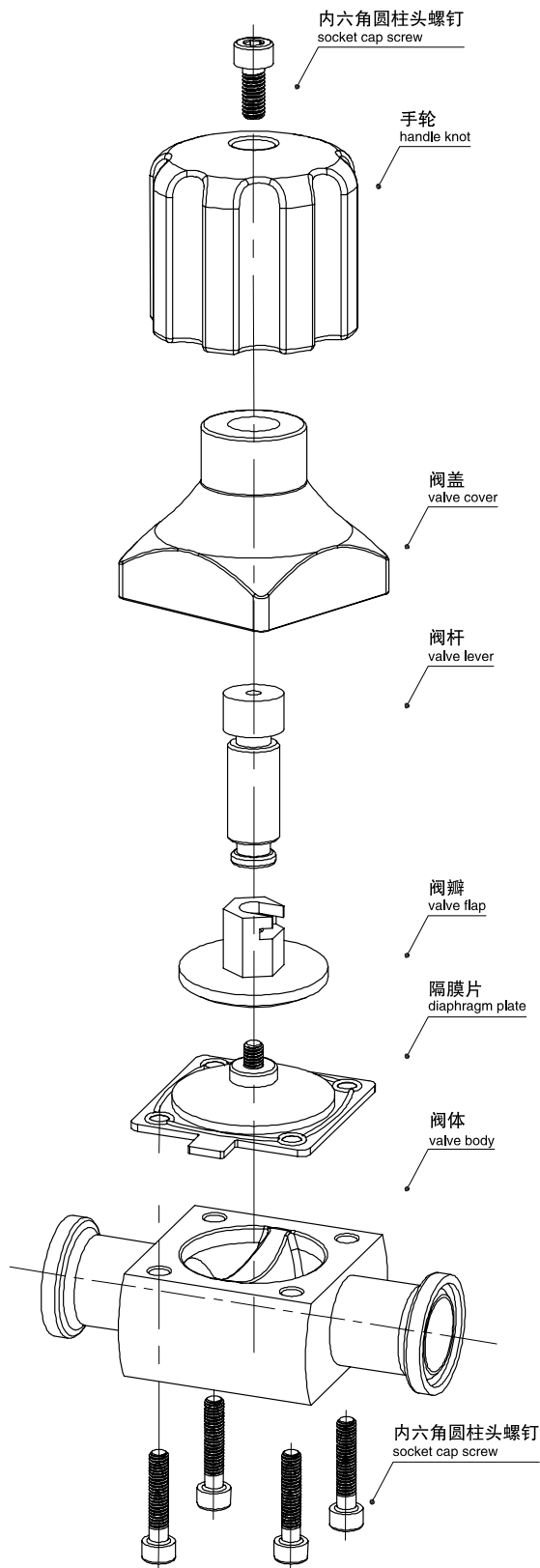
ST-V1032 T型三通隔膜阀  
T-type Three-way Diaphragm Valve

| Size   | A     | B    | C   | H          |
|--------|-------|------|-----|------------|
| 1/2"   | 108.0 | 25.4 | 6.0 | 93.5/102.5 |
| 3/4"   | 108.0 | 25.4 | 6.0 | 93.5/102.5 |
| 1"     | 118.0 | 50.5 | 6.0 | 111.5/122  |
| 1 1/4" | 127.0 | 50.5 | 6.0 | 144.5/160  |
| 1 1/2" | 146.0 | 50.5 | 6.0 | 144.5/160  |
| 2"     | 190.0 | 64.0 | 6.0 | 167/190    |
| 2 1/2" | 216.0 | 77.5 | 6.0 | 199/228    |

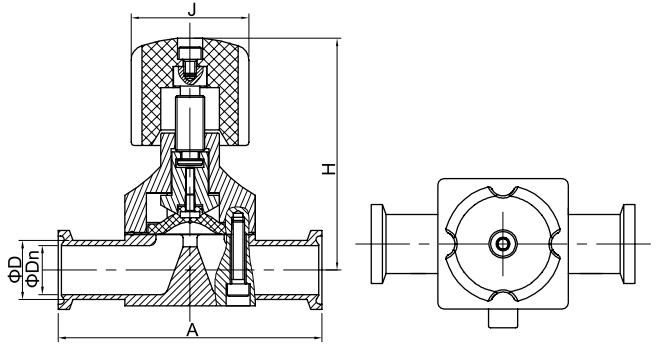


ST-V1033 焊接气动隔膜阀  
Welded Pneumatic Diaphragm Valve

| DIN  | Size   |     |     | A     | D     | H     |
|------|--------|-----|-----|-------|-------|-------|
|      | 3A     | SMS | ISO |       |       |       |
| DN20 |        |     |     | 108.0 | 126.0 | 146.2 |
| DN25 | 1"     | 25  | Φ25 | 118.0 | 126.0 | 146.2 |
| DN32 | 1 1/4" | 32  | Φ32 | 127.0 | 126.0 | 146.2 |
| DN40 | 1 1/2" | 38  | Φ38 | 146.0 | 126.0 | 146.2 |
| DN50 | 2"     | 51  | Φ51 | 190.0 | 126.0 | 146.2 |
| DN65 | 2 1/2" | 63  | Φ63 | 216.0 | 126.0 | 146.2 |



迷你型卡箍隔膜阀  
Clamped Mini-Type Diaphragm Valve



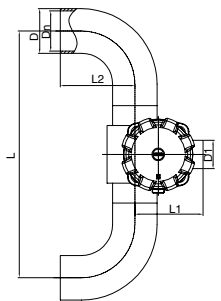
ST-V1034

| SIZE      | Dn   | D    | A    | H    | J  |
|-----------|------|------|------|------|----|
| DN6 1/4"  | 4    | 25.4 | 68.6 | 69.4 | 38 |
| DN8 3/8"  | 7.1  | 25.4 | 68.6 | 70.3 | 38 |
| DN10 1/2" | 9.4  | 25.4 | 68.6 | 72.2 | 38 |
| DN15 3/4" | 15.7 | 25.4 | 85   | 75.5 | 38 |

U型三通隔膜阀  
U-Type Three-Way Diaphragm Valve

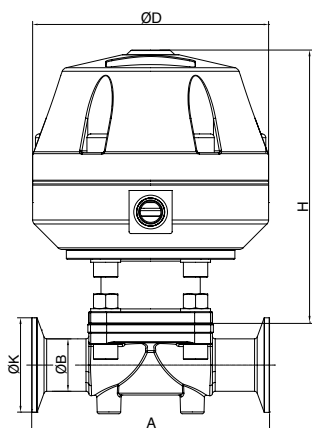
ST-V1035 DIN

| SIZE          | L   | L1   | L2 | D    | Dn   | D1 |
|---------------|-----|------|----|------|------|----|
| 1" x 1"       | 233 | 81   | 70 | 25.4 | 22.4 | 28 |
| 1" x 3/4"     | 233 | 81   | 70 | 25.4 | 22.4 | 22 |
| 1" x 1/2"     | 233 | 81   | 70 | 25.4 | 22.4 | 18 |
| 1.5" x 1 1/4" | 264 | 85.5 | 85 | 38   | 35   | 34 |
| 1.5" x 1"     | 264 | 85.5 | 85 | 38   | 35   | 28 |
| 1.5" x 3/4"   | 264 | 85.5 | 85 | 38   | 35   | 19 |
| 2" x 1 1/2"   | 288 | 92.5 | 97 | 50.8 | 47.8 | 40 |
| 2" x 1 1/4"   | 288 | 92.5 | 97 | 50.8 | 47.8 | 34 |
| 2" x 1"       | 288 | 92.5 | 97 | 50.8 | 47.8 | 28 |



U型三通隔膜阀  
U-Type Three-Way Diaphragm Valve  
ST-V1036 Inch、BPE、SMS、3A

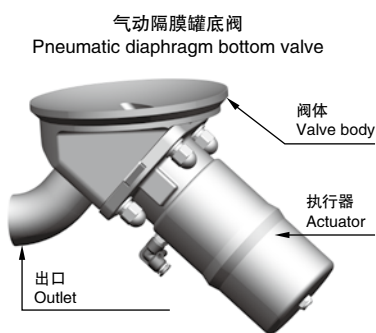
| SIZE        | L   | L1   | L2 | D  | Dn | D1 |
|-------------|-----|------|----|----|----|----|
| DN25 x DN25 | 263 | 81   | 70 | 28 | 25 | 28 |
| DN25 x DN20 | 263 | 81   | 70 | 28 | 25 | 22 |
| DN25 x DN15 | 263 | 81   | 70 | 28 | 25 | 18 |
| DN40 x DN32 | 294 | 85.5 | 85 | 40 | 37 | 34 |
| DN40 x DN25 | 294 | 85.5 | 85 | 40 | 37 | 28 |
| DN40 x DN20 | 294 | 85.5 | 85 | 40 | 37 | 19 |
| DN50 x DN40 | 318 | 92.5 | 97 | 52 | 49 | 40 |
| DN50 x DN32 | 318 | 92.5 | 97 | 52 | 49 | 34 |
| DN50 x DN25 | 318 | 92.5 | 97 | 52 | 49 | 28 |



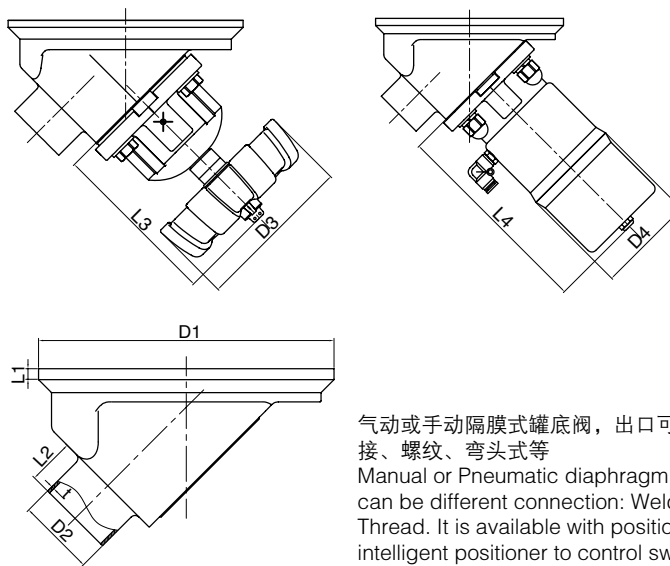
ST-V1037

气动卡箍式隔膜阀  
Pneumatic Clamped Diaphragm Valve

| DIN  | Size   |     |      | A     | D     | H     |
|------|--------|-----|------|-------|-------|-------|
|      | 3A     | SMS | ISO  |       |       |       |
| DN20 | 3/4"   | 19  | Φ 19 | 108.0 | 126.0 | 146.2 |
| DN25 | 1"     | 25  | Φ 25 | 118.0 | 126.0 | 146.2 |
| DN32 | 1 1/4" | 32  | Φ 32 | 127.0 | 126.0 | 146.2 |
| DN40 | 1 1/2" | 38  | Φ 38 | 146.0 | 126.0 | 146.2 |
| DN50 | 2"     | 51  | Φ 51 | 190.0 | 126.0 | 146.2 |
| DN65 | 2 1/2" | 63  | Φ 63 | 216.0 | 126.0 | 146.2 |



隔膜罐底阀  
Diaphragm bottom valve



气动或手动隔膜式罐底阀，出口可选择卡箍、焊接、螺纹、弯头式等  
Manual or Pneumatic diaphragm bottom valve can be different connection: Weld, Clamp, Thread. It is available with position sensor and intelligent positioner to control switching value.

手动隔膜罐底阀  
Manual diaphragm bottom valve



ST-V1038

隔膜罐底阀(DIN)  
Diaphragm Bottom Valve(DIN)

| SIZE | D1  | D2 |    | D3  | D4  | L1  | L2 | L3  | L4  | t   |
|------|-----|----|----|-----|-----|-----|----|-----|-----|-----|
|      |     | 1  | 2  |     |     |     |    |     |     |     |
| DN25 | 120 | 28 | 29 | 90  | 85  | 6   | 25 | 103 | 172 | 1.5 |
| DN32 | 160 | 34 | 35 | 114 | 85  | 6.4 | 25 | 111 | 165 | 1.5 |
| DN40 | 160 | 40 | 41 | 114 | 85  | 6.4 | 25 | 111 | 165 | 1.5 |
| DN50 | 200 | 52 | 53 | 140 | 126 | 6   | 30 | 141 | 216 | 1.5 |

ST-V1039

隔膜罐底阀(Inch、BPE、SMS、3A、ISO)  
Diaphragm Bottom Valve(Inch、BPE、SMS、3A、ISO)

| SIZE   | D1  | D2   | D3  | D4  | L1  | L2 | L3  | L4  | t   |
|--------|-----|------|-----|-----|-----|----|-----|-----|-----|
| 1"     | 120 | 25.4 | 90  | 85  | 6   | 25 | 103 | 172 | 1.5 |
| 1 1/4" | 160 | 31.8 | 114 | 85  | 6.4 | 25 | 111 | 165 | 1.5 |
| 1 1/2" | 160 | 38.1 | 114 | 85  | 6.4 | 25 | 111 | 165 | 1.5 |
| 2"     | 200 | 50.8 | 140 | 126 | 6   | 30 | 141 | 216 | 1.5 |



### 操作原理

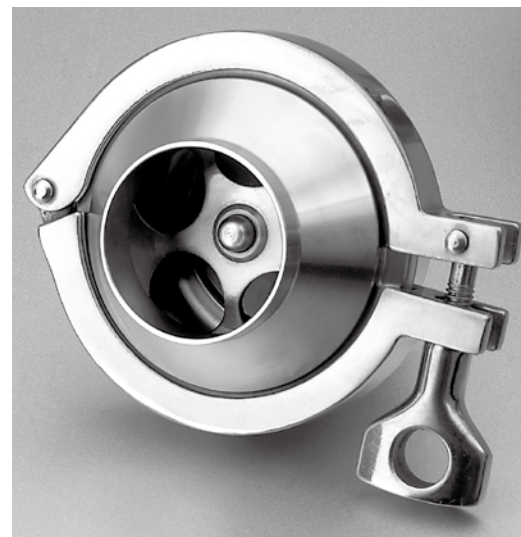
#### Operating principle

- 当流体的压力大于弹簧的抽吸压力时，阀门打开。当两种压力相当时，阀门关闭。更强大的压差也可以使阀门关闭。
- The valve opens when the pressure of the fluid exceeds the pressure exerted by the pump spring. When the two pressures are equalised, the valve closes. A stronger counter-pressure allows the valve to close.

### 材质

#### Materials

- |          |                     |                          |              |
|----------|---------------------|--------------------------|--------------|
| • 外部构造和轴 | AISI 316L           | • Casing/shaft           | AISI 316L    |
| • 弹簧     | AISI 301            | • Spring                 | AISI 301     |
| • 垫圈     | EPDM 根据FDA 117.2600 | • Seal EPDM according to | FDA 177.2600 |
| • 表面处理   | Ra ≤ 0.8 μ m        | • Surface finishing      | Ra ≤ 0.8 μ m |



### 选项

#### Options

- 垫圈有NBR, FPM (氟橡胶) 或PTFE, 所有都根据FDA 117.2600  
连接: 焊接, 螺纹, 卡箍, DIN, SMS RJT, IDF, ISO, 3A
- Seals in NBR, FPM (Viton) or PTFE. All of them according to FDA 177.2600  
Connections: weld, thread, clamp, DIN, SMS, RJT, IDF, ISO, 3A

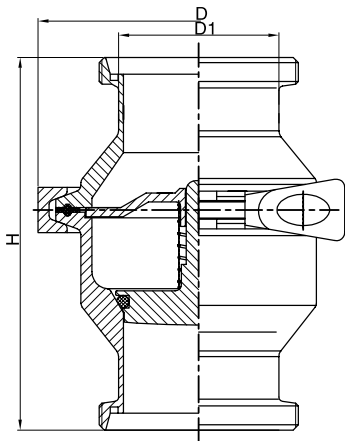


### 技术规范

#### Technical specifications

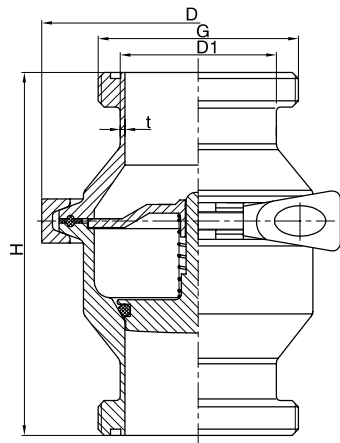
- 最大压力: 10 bar
- 开启压力: 0.3bar(DN-25)  
0.2bar(DN-32/40)  
0.1bar(DN-50/100)
- 工作温度: -10°C到+120°C(EPDM)
- Max. pressure 10 bar
- Opening pressure: 0.3 bar (DN-25)  
0.2 bar (DN-32/40)  
0.1 bar (DN-50/100)
- Working temperature -10°C to +120°C (EPDM)





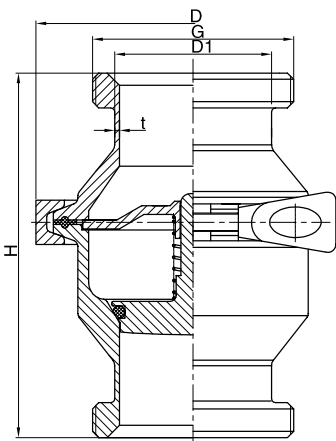
ST-V1040 螺纹式止回阀(DIN)  
Threaded Check Valve(DIN)

| SIZE  | H   | D1  |    | D   | t   | G(RD)     |
|-------|-----|-----|----|-----|-----|-----------|
|       |     | 1   | 2  |     |     |           |
| DN15  | 115 | 18  | 19 | 87  | 1.5 | 33.5x1/8  |
| DN20  | 119 | 22  | 23 | 87  | 1.5 | 43.5x1/6  |
| DN25  | 125 | 28  | 29 | 87  | 1.5 | 51.5x1/6  |
| DN32  | 127 | 34  | 35 | 87  | 1.5 | 57.5x1/6  |
| DN40  | 123 | 40  | 41 | 87  | 1.5 | 64.5x1/6  |
| DN50  | 135 | 52  | 53 | 100 | 1.5 | 77.5x1/6  |
| DN65  | 145 | 70  | -  | 115 | 2.0 | 94.5x1/6  |
| DN80  | 151 | 85  | -  | 128 | 2.0 | 109.3x1/4 |
| DN100 | 170 | 104 | -  | 164 | 2.0 | 129.3x1/4 |



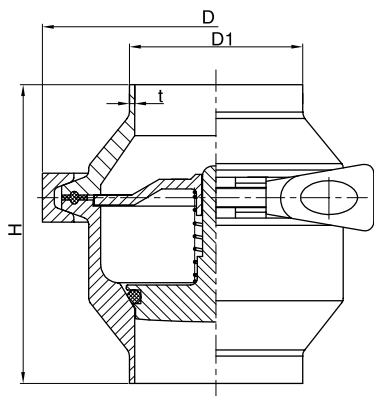
ST-V1041 螺纹式止回阀(SMS)  
Threaded Check Valve(SMS)

| SIZE   | H   | D   | D1    | t   | G(RD)     |
|--------|-----|-----|-------|-----|-----------|
| 3/4"   | 115 | 87  | 19    | 1.5 | 35.5x1/8  |
| 1"     | 119 | 87  | 25.4  | 1.5 | 39.5x1/6  |
| 1 1/4" | 127 | 87  | 31.8  | 1.5 | 59.5x1/6  |
| 1 1/2" | 127 | 87  | 38.1  | 1.5 | 69.5x1/6  |
| 2"     | 137 | 100 | 50.8  | 1.5 | 84.5x1/6  |
| 2 1/2" | 149 | 115 | 63.5  | 2.0 | 97.3x1/6  |
| 3"     | 155 | 128 | 76.2  | 2.0 | 104.3x1/6 |
| 3 1/2" | 149 | 128 | 89    | 2.0 | 124.3x1/4 |
| 4"     | 170 | 164 | 101.6 | 2.0 | 131.3x1/6 |



ST-V1042 螺纹式止回阀(3A)  
Threaded Check Valve(3A)

| SIZE   | H   | D1    | t    | G               |
|--------|-----|-------|------|-----------------|
| 1"     | 108 | 25.4  | 1.65 | 37.13x1/8 Acme  |
| 1 1/4" | 113 | 31.8  | 1.65 | 45.9x1/8 Acme   |
| 1 1/2" | 113 | 38.1  | 1.65 | 50.65x1/8 Acme  |
| 2"     | 126 | 50.8  | 1.65 | 64.1x1/8 Acme   |
| 2 1/2" | 141 | 63.5  | 1.65 | 77.6x1/8 Acme   |
| 3"     | 152 | 76.2  | 1.65 | 91.1x1/8 Acme   |
| 4"     | 167 | 101.6 | 2.1  | 119.25x1/6 Acme |



ST-V1043

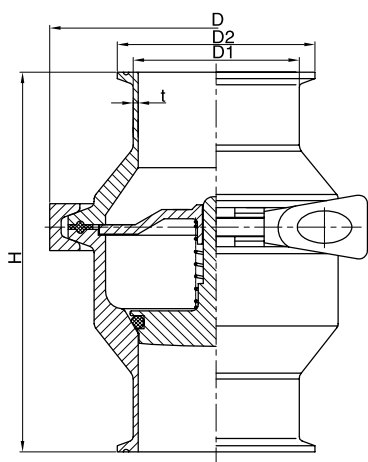
焊接式止回閥  
Welded Check Valve

| Size  | t   | H     | D     | D1    |
|-------|-----|-------|-------|-------|
| DN15  | 1.5 | 81.0  | 87.0  | 18.0  |
| DN20  | 1.5 | 81.0  | 87.0  | 22.0  |
| DN25  | 1.5 | 81.0  | 87.0  | 28.0  |
| DN32  | 1.5 | 81.0  | 87.0  | 34.0  |
| DN40  | 1.5 | 81.0  | 87.0  | 40.0  |
| DN50  | 1.5 | 91.0  | 100.0 | 52.0  |
| DN65  | 2.0 | 95.0  | 115.0 | 70.0  |
| DN80  | 2.0 | 101.0 | 128.0 | 85.0  |
| DN100 | 2.0 | 110.0 | 164.0 | 104.0 |

ST-V1044

焊接式止回閥(ISO/IDF)  
Welded Check Valve(ISO/IDF)

| Size   | t   | H     | D     | D1    |
|--------|-----|-------|-------|-------|
| 3/4"   | 1.5 | 81.0  | 87.0  | 19.0  |
| 1"     | 1.5 | 81.0  | 87.0  | 25.4  |
| 1 1/4" | 1.5 | 81.0  | 87.0  | 32.0  |
| 1 1/2" | 1.5 | 81.0  | 87.0  | 38.1  |
| 45     | 1.5 | 91.0  | 100.0 | 45.0  |
| 2"     | 2.0 | 91.0  | 100.0 | 50.8  |
| 57     | 2.0 | 91.0  | 100.0 | 57.0  |
| 2 1/2" | 2.0 | 95.0  | 115.0 | 63.5  |
| 3"     | 2.0 | 101.0 | 128.0 | 76.2  |
| 3 1/2" | 2.0 | 101.0 | 128.0 | 89.0  |
| 4"     | 2.0 | 110.0 | 164.0 | 101.6 |
|        | 2.0 | 110.0 | 164.0 | 108.0 |



ST-V1045

卡箍式止回閥(DIN)  
Clamped Check Valve(DIN)

| Size  | t   | H   | D     | D1    |
|-------|-----|-----|-------|-------|
| DN15  | 1.5 | 95  | 87.0  | 34.0  |
| DN20  | 1.5 | 95  | 87.0  | 34.0  |
| DN25  | 1.5 | 95  | 87.0  | 50.5  |
| DN32  | 1.5 | 95  | 87.0  | 50.5  |
| DN40  | 1.5 | 95  | 87.0  | 50.5  |
| DN50  | 1.5 | 104 | 100.0 | 64.0  |
| DN65  | 2.0 | 110 | 115.0 | 91.0  |
| DN80  | 2.0 | 120 | 128.0 | 106.0 |
| DN100 | 2.0 | 130 | 164.0 | 119.0 |

ST-V1046

卡箍式止回閥(SMS)  
Clamped Check Valve(SMS)

| Size   | t   | H   | D     | D1    |
|--------|-----|-----|-------|-------|
| 1/2"   | 1.5 | 95  | 87.0  | 50.5  |
| 3/4"   | 1.5 | 95  | 87.0  | 50.5  |
| 1"     | 1.5 | 95  | 87.0  | 50.5  |
| 1 1/2" | 1.5 | 95  | 87.0  | 64.0  |
| 2"     | 2.0 | 104 | 100.0 | 77.5  |
| 2 1/2" | 2.0 | 110 | 115.0 | 91.0  |
| 3"     | 2.0 | 115 | 128.0 | 106.0 |
| 4"     | 2.0 | 130 | 164.0 | 119.0 |



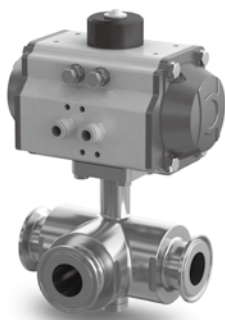
### 应用 Applications

无论是手动还是自动操作球阀，主要应用于加工饮料，酿酒，炼油，化妆品和化学工业。  
It Is Widely Used In Beverage, Brewing, Oil Refinery, Cosmetic, Chemical Industries.



### 设计和特点 Design and features

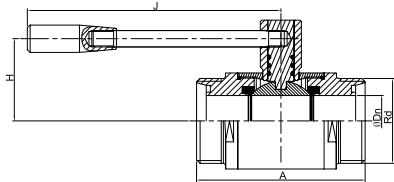
- 无需维护
- 比其他的阀门更小更轻
- 操纵扭矩小
- 垫圈根据PTFE FDA 177.2600
- 无论流体是何种流向，手柄可以安装在侧边的阀体上
- 无论是何种连接方式，阀体都可进行更换，而不会改变阀门的总长度
- 连接：螺纹，焊接，卡箍，法兰，DIN SMS RJT FIL
- 可装配气动执行器，电动执行器
- 物料接触部位 AISI 304/316L，其它部位 AISI 304
- 阀门类型：直通球阀，三片式球阀，三通球阀
- 球芯类型：T型、L型、直通型
- 材质：AISI 304 316L
- Free of maintenances
- Compact and portable
- Small operating torque
- Gasket complies with PTFE FDA 177.2600
- Hand lever can be installed on the side of the valve body, no matter of the flow direction.
- Connection ends: thread, clamp, weld, flange, DIN, SMS, RJT, FIL.
- It can match with pneumatic and electric actuators.
- Material for the part contacted with media is AISI 304/316L. Other part is AISI 304
- Type of valves: One way ball valve, three-piece ball valve. Three-way ball valve
- Type of cores: T type, L type, direct type.
- Material quality:AISI 304,316L



三通球阀  
Three-way ball valve

操作扭矩(N.m.)  
Operating torque(N.m.)

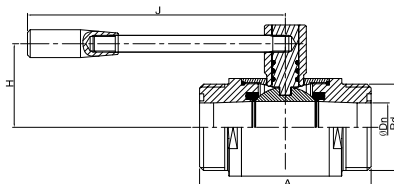
| 操作扭矩<br>(N.m)<br>(干燥测试)<br>Dry test | DN10-<br>DN20 | DN25 | DN32   | DN40   | DN50 | 2.5" | DN65 | DN80 | DN100 |
|-------------------------------------|---------------|------|--------|--------|------|------|------|------|-------|
|                                     | 1/2"-3/4"     | 1"   | 1 1/4" | 1 1/2" | 2"   | 25   | 30   | 3"   | 4"    |
|                                     | 8             | 8"   | 10     | 12     | 17   |      |      | 40   | 70    |



ST-V1047

直通螺纹球阀(DIN)  
Direct Way Threaded Ball Valve (DIN)

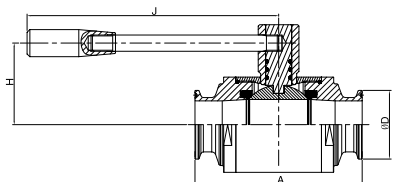
| Size  | Rd           | Dn  | A   | H     | J   | N.W   |
|-------|--------------|-----|-----|-------|-----|-------|
| DN10  | Rd28 × 1/8"  | 10  | 95  | 40    | 124 | 820   |
| DN15  | Rd34 × 1/8"  | 15  | 95  | 40    | 124 | 850   |
| DN20  | Rd44 × 1/6"  | 19  | 95  | 40    | 124 | 945   |
| DN25  | Rd52 × 1/6"  | 25  | 100 | 48    | 146 | 1300  |
| DN32  | Rd58 × 1/6"  | 31  | 108 | 50    | 146 | 1740  |
| DN40  | Rd65 × 1/6"  | 37  | 115 | 60    | 185 | 2160  |
| DN50  | Rd78 × 1/6"  | 49  | 136 | 68    | 185 | 2960  |
| DN65  | Rd95 × 1/6"  | 66  | 161 | 89    | 243 | 5100  |
| DN80  | Rd110 × 1/4" | 81  | 180 | 100   | 243 | 7390  |
| DN100 | Rd130 × 1/4" | 100 | 204 | 115.5 | 273 | 11120 |



ST-V1048

直通螺纹球阀(SMS)  
Direct Way Threaded Ball Valve (SMS)

| Size   | Rd           | Dn   | A   | H     | J   | N.W   |
|--------|--------------|------|-----|-------|-----|-------|
| 1/2"   | Rd36 × 1/8"  | 9.7  | 95  | 40    | 124 | 945   |
| 3/4"   | Rd36 × 1/8"  | 16   | 95  | 40    | 124 | 900   |
| 1"     | Rd40 × 1/6"  | 22.4 | 100 | 48    | 146 | 1200  |
| 1 1/4" | Rd48 × 1/6"  | 28.8 | 108 | 50    | 185 | 1600  |
| 1 1/2" | Rd60 × 1/6"  | 35.1 | 115 | 60    | 185 | 2340  |
| 2"     | Rd70 × 1/6"  | 47.8 | 136 | 68    | 185 | 2860  |
| 2 1/2" | Rd85 × 1/6"  | 59.5 | 150 | 80    | 205 | 4560  |
| 3"     | Rd98 × 1/6"  | 72.2 | 172 | 94    | 243 | 6200  |
| 4"     | Rd125 × 1/4" | 97.6 | 204 | 115.5 | 273 | 11290 |

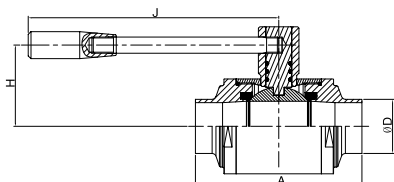


ST-V1049

直通卡箍球阀(ISO IDF SMS 3A DS)  
Direct Way Clamped Ball Valve(ISO IDF SMS 3A DS)

| Size   | D    | A   | H     | J   | N.W   |
|--------|------|-----|-------|-----|-------|
| 1/2"   | 25.4 | 95  | 40    | 124 | 810   |
| 3/4"   | 25.4 | 95  | 40    | 124 | 780   |
| 1"     | 50.5 | 100 | 48    | 146 | 1265  |
| 1 1/4" | 50.5 | 108 | 50    | 185 | 1520  |
| 1 1/2" | 50.5 | 115 | 60    | 185 | 2000  |
| 2"     | 64   | 136 | 68    | 185 | 2685  |
| 2 1/2" | 77.5 | 150 | 80    | 205 | 4115  |
| 3"     | 91   | 172 | 94    | 243 | 5625  |
| 4"     | 119  | 204 | 115.5 | 273 | 10890 |

DIN标准尺寸与以上一样。

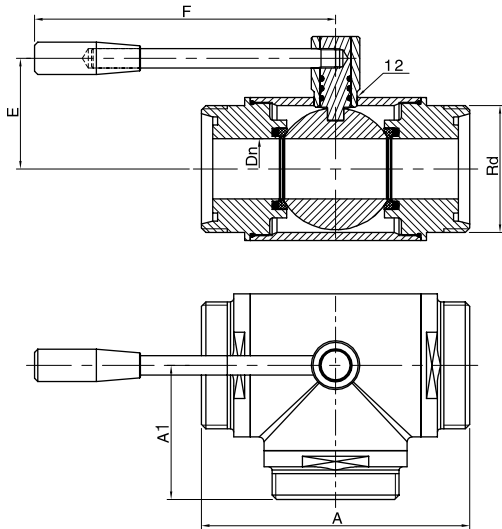


ST-V1050

直通焊接球阀(ISO IDF SMS 3A DS)  
Direct Way Welded Ball Valve(ISO IDF SMS 3A DS)

| Size   | D     | A   | H     | J   |
|--------|-------|-----|-------|-----|
| 1/2"   | 12.7  | 95  | 40    | 124 |
| 3/4"   | 19.1  | 95  | 40    | 124 |
| 1"     | 25.4  | 100 | 48    | 146 |
| 1 1/4" | 31.8  | 108 | 50    | 185 |
| 1 1/2" | 38.1  | 115 | 60    | 185 |
| 2"     | 50.8  | 136 | 68    | 185 |
| 2 1/2" | 63.5  | 150 | 80    | 205 |
| 3"     | 76.2  | 172 | 94    | 243 |
| 4"     | 101.6 | 204 | 115.5 | 273 |

DIN标准尺寸与以上一样。



三通螺纹球阀(DIN)

ST-V1051 Three-Way Threaded Ball Valve(DIN)

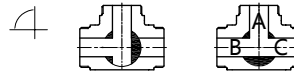
| SIZE  | Dn  | Rd         | A   | A1  | E     | F   |
|-------|-----|------------|-----|-----|-------|-----|
| DN25  | 25  | Rd52x1/6"  | 136 | 68  | 53    | 146 |
| DN32  | 31  | Rd58x1/6"  | 138 | 70  | 54    | 185 |
| DN40  | 37  | Rd65x1/6"  | 156 | 80  | 65    | 185 |
| DN50  | 49  | Rd78x1/6"  | 170 | 90  | 72.5  | 243 |
| DN65  | 66  | Rd95x1/4"  | 204 | 107 | 94    | 243 |
| DN80  | 81  | Rd110x1/4" | 230 | 123 | 107   | 273 |
| DN100 | 100 | Rd130x1/4" | 264 | 142 | 123.5 | 273 |

T型通口

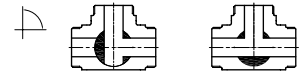
T type gateway

A向入口 ( A inlet )

90° 旋转方向 ( 90 rotation direction )



90° 旋转方向 ( 90 rotation direction )



L型通口

L type gateway

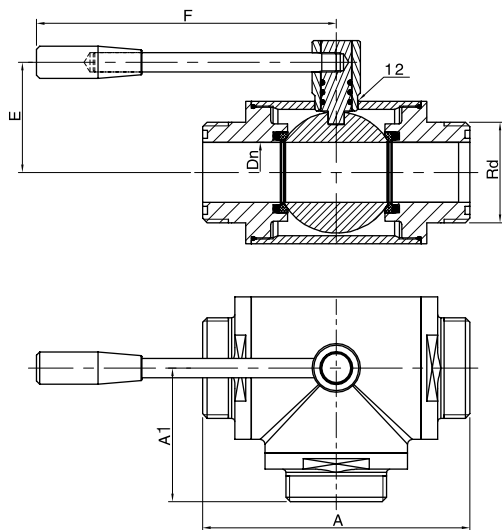
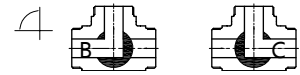
A向入口 ( A inlet )

90° 旋转方向 ( 90 rotation direction )



B向,C向切换入口 ( B,C switch inlets )

90° 旋转方向 ( 90 rotation direction )



三通螺纹球阀(SMS)

ST-V1052 Three-Way Threaded Ball Valve(SMS)

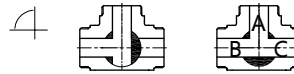
| SIZE   | Dn   | Rd         | A   | A1  | E     | F   |
|--------|------|------------|-----|-----|-------|-----|
| 1"     | 22.4 | Rd40x1/6"  | 136 | 68  | 53    | 146 |
| 1/4"   | 28.8 | Rd48x1/6"  | 138 | 70  | 54    | 185 |
| 1/2"   | 35.1 | Rd60x1/6"  | 156 | 80  | 65    | 185 |
| 2      | 47.8 | Rd70x1/6"  | 170 | 90  | 72.5  | 243 |
| 2 1/2" | 59.5 | Rd85x1/6"  | 194 | 102 | 86    | 243 |
| 3"     | 72.2 | Rd98x1/6"  | 220 | 118 | 99    | 243 |
| 4"     | 97.6 | Rd125x1/4" | 264 | 142 | 123.5 | 273 |

T型通口

T type gateway

A向入口 ( A inlet )

90° 旋转方向 ( 90 rotation direction )



90° 旋转方向 ( 90 rotation direction )



L型通口

L type gateway

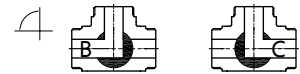
A向入口 ( A inlet )

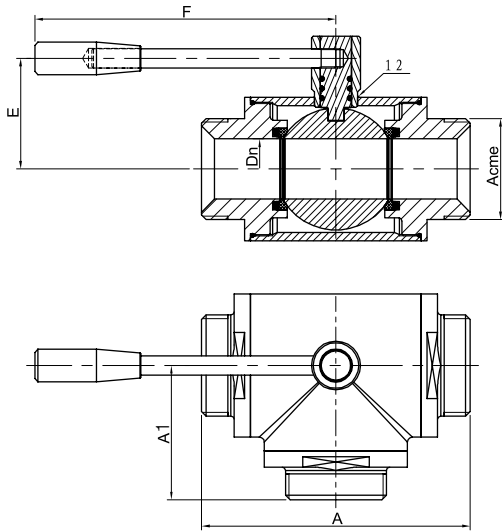
90° 旋转方向 ( 90 rotation direction )



B向,C向切换入口 ( B,C switch inlets )

90° 旋转方向 ( 90 rotation direction )

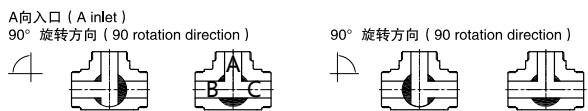




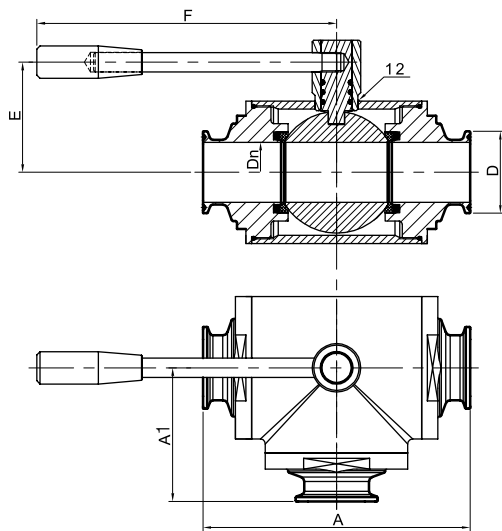
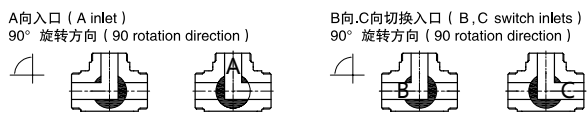
三通螺纹球阀(3A)  
Three-Way Threaded Ball Valve (3A)

| SIZE   | Acme       | A   | Dn   | E     | F   |
|--------|------------|-----|------|-------|-----|
| 1"     | 37.1x1/8"  | 136 | 22.1 | 53    | 146 |
| 1/4"   | 45.9x1/8"  | 138 | 28.8 | 54    | 185 |
| 1/2"   | 50.6x1/8"  | 156 | 34.8 | 65    | 185 |
| 2      | 64.1x1/8"  | 170 | 47.5 | 72.5  | 243 |
| 2 1/2" | 77.6x1/8"  | 194 | 60.2 | 86    | 243 |
| 3"     | 91.1x1/8"  | 220 | 72.9 | 99    | 243 |
| 4"     | 119.2x1/6" | 264 | 97.4 | 123.5 | 273 |

T型通口  
T type gateway



L型通口  
L type gateway



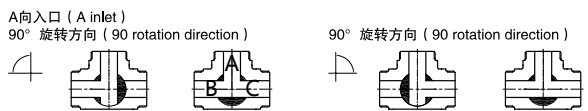
三通卡箍球阀(DIN)  
Three-Way Clamp Ball Valve(DIN)

| SIZE  | Dn  | D    | A   | A1  | E     | F   |
|-------|-----|------|-----|-----|-------|-----|
| DN25  | 25  | 50.5 | 136 | 68  | 53    | 146 |
| DN32  | 31  | 50.5 | 138 | 71  | 54    | 185 |
| DN40  | 37  | 50.5 | 156 | 80  | 65    | 185 |
| DN50  | 49  | 64   | 170 | 90  | 72.5  | 243 |
| DN65  | 66  | 91   | 204 | 107 | 94    | 243 |
| DN80  | 81  | 106  | 226 | 123 | 107   | 273 |
| DN100 | 100 | 119  | 264 | 142 | 123.5 | 273 |

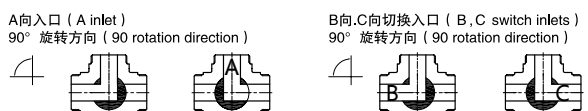
三通卡箍球阀(3A SMS ISO IDF BS)  
Three-Way Clamp Ball Valve(3A SMS ISO IDF BS)

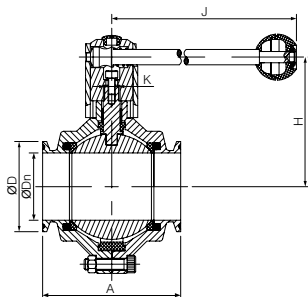
| SIZE   | Dn   | D    | A   | A1  | E     | F   |
|--------|------|------|-----|-----|-------|-----|
| 1"     | 22.4 | 50.5 | 136 | 68  | 53    | 185 |
| 1/4"   | 28.8 | 50.5 | 138 | 71  | 54    | 185 |
| 1/2"   | 35.1 | 50.5 | 156 | 80  | 65    | 185 |
| 2      | 47.8 | 64   | 170 | 90  | 72.5  | 205 |
| 2 1/2" | 59.5 | 77.5 | 194 | 102 | 86    | 243 |
| 3"     | 72.2 | 91   | 226 | 118 | 99    | 243 |
| 4"     | 97.6 | 119  | 264 | 142 | 123.5 | 273 |

T型通口  
T type gateway



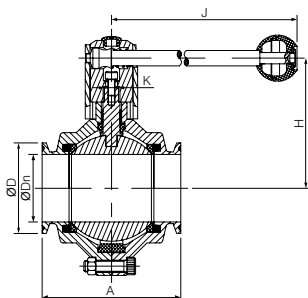
L型通口  
L type gateway





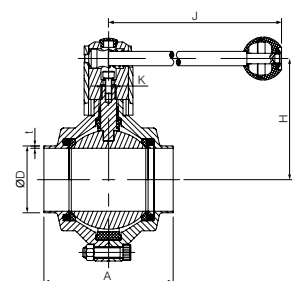
ST-V1056 卡箍式蝶式球阀(DIN)  
Clamped Butterfly-Type Ball Valve(DIN)

| 规格 Size | Dn  | D    | A   | H   | J   | K       |
|---------|-----|------|-----|-----|-----|---------|
| DN15    | 15  | 34   | 72  | 86  | 126 | 8 × 8   |
| DN20    | 19  | 34   | 72  | 86  | 126 | 8 × 8   |
| DN25    | 25  | 50.5 | 72  | 90  | 126 | 8 × 8   |
| DN32    | 31  | 50.5 | 83  | 92  | 126 | 8 × 8   |
| DN40    | 37  | 50.5 | 87  | 104 | 133 | 10 × 10 |
| DN50    | 49  | 64   | 101 | 113 | 144 | 10 × 10 |
| DN65    | 66  | 91   | 125 | 131 | 160 | 11 × 11 |
| DN80    | 81  | 106  | 145 | 144 | 220 | 11 × 11 |
| DN100   | 100 | 119  | 170 | 161 | 284 | 14 × 14 |



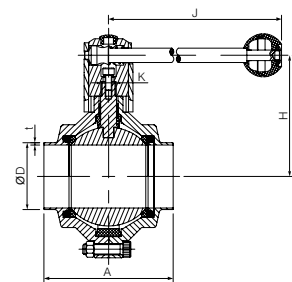
ST-V1057 卡箍式蝶式球阀(3A SMS ISO DS)  
Clamped Butterfly-Type Ball Valve(3A SMS ISO DS)

| 规格 Size | D    | A   | H   | J   | K       |
|---------|------|-----|-----|-----|---------|
| 3/4"    | 25.4 | 72  | 86  | 126 | 8 × 8   |
| 1"      | 50.5 | 72  | 90  | 126 | 8 × 8   |
| 1 1/4"  | 50.5 | 83  | 92  | 126 | 8 × 8   |
| 1 1/2"  | 50.5 | 87  | 104 | 133 | 10 × 10 |
| 2"      | 64   | 101 | 113 | 144 | 10 × 10 |
| 2 1/2"  | 77.5 | 121 | 128 | 160 | 11 × 11 |
| 3"      | 91   | 135 | 138 | 220 | 11 × 11 |
| 3 1/2"  | 106  | 140 | 144 | 220 | 11 × 11 |
| 4"      | 119  | 170 | 161 | 284 | 14 × 14 |



ST-V1058 焊接式蝶式球阀(DIN)  
Welded Butterfly-Type Ball Valve(DIN)

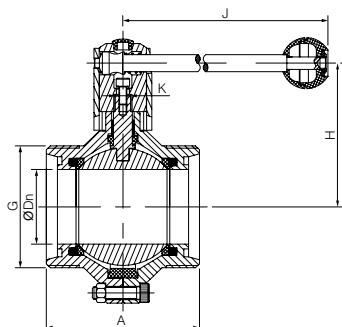
| 规格 Size | D   | t  | A   | H   | J   | K       |
|---------|-----|----|-----|-----|-----|---------|
| DN15    | 18  | 19 | 1.5 | 72  | 86  | 8 × 8   |
| DN20    | 22  | 23 | 1.5 | 72  | 86  | 8 × 8   |
| DN25    | 28  | 29 | 1.5 | 72  | 90  | 8 × 8   |
| DN32    | 34  | 35 | 1.5 | 83  | 92  | 8 × 8   |
| DN40    | 40  | 41 | 1.5 | 87  | 104 | 10 × 10 |
| DN50    | 52  | 53 | 1.5 | 101 | 113 | 10 × 10 |
| DN65    | 70  | -  | 2   | 125 | 131 | 11 × 11 |
| DN80    | 85  | -  | 2   | 145 | 144 | 11 × 11 |
| DN100   | 104 | -  | 2   | 170 | 161 | 14 × 14 |



ST-V1059 焊接式蝶式球阀(3A SMS ISO DS)  
Welded Butterfly-Type Ball Valve(3A SMS ISO DS)

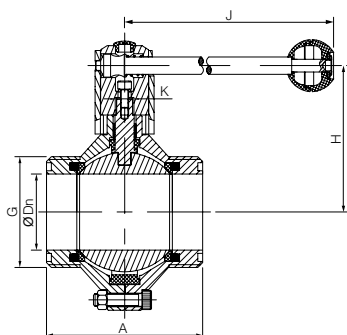
| 规格 Size | D     | A   | H   | J   | K       |
|---------|-------|-----|-----|-----|---------|
| 3/4"    | 19.1  | 72  | 86  | 126 | 8 × 8   |
| 1"      | 25.4  | 72  | 90  | 126 | 8 × 8   |
| 1 1/4"  | 31.8  | 83  | 92  | 126 | 8 × 8   |
| 1 1/2"  | 38.1  | 87  | 104 | 133 | 10 × 10 |
| 2"      | 50.8  | 101 | 113 | 144 | 10 × 10 |
| 2 1/2"  | 63.5  | 121 | 128 | 160 | 11 × 11 |
| 3"      | 76.2  | 135 | 138 | 220 | 11 × 11 |
| 3 1/2"  | 89    | 140 | 144 | 220 | 11 × 11 |
| 4"      | 101.6 | 170 | 161 | 284 | 14 × 14 |





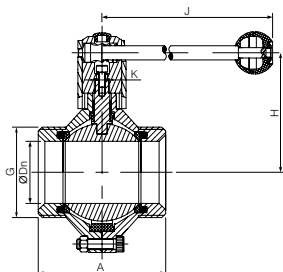
ST-V1060 螺纹式蝶式球阀(DIN) Threaded Butterfly-Type Ball Valve(DIN)

| 规格 Size | Dn  | G           | A   | H   | J   | K       |
|---------|-----|-------------|-----|-----|-----|---------|
| DN15    | 15  | Rd34 × 1/8  | 72  | 86  | 126 | 8 × 8   |
| DN20    | 19  | Rd44 × 1/6  | 72  | 86  | 126 | 8 × 8   |
| DN25    | 25  | Rd52 × 1/6  | 72  | 90  | 126 | 8 × 8   |
| DN32    | 31  | Rd58 × 1/6  | 83  | 92  | 126 | 8 × 8   |
| DN40    | 37  | Rd65 × 1/6  | 87  | 104 | 133 | 10 × 10 |
| DN50    | 49  | Rd78 × 1/6  | 101 | 113 | 144 | 10 × 10 |
| DN65    | 66  | Rd95 × 1/6  | 125 | 131 | 160 | 11 × 11 |
| DN80    | 81  | Rd110 × 1/4 | 145 | 144 | 220 | 11 × 11 |
| DN100   | 100 | Rd130 × 1/4 | 170 | 161 | 284 | 14 × 14 |



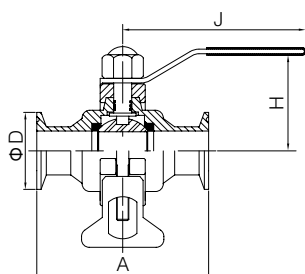
ST-V1061 螺纹式蝶式球阀(SMS) Threaded Butterfly-Type Ball Valve(SMS)

| 规格 Size   | Dn   | G           | A   | H   | J   | K       |
|-----------|------|-------------|-----|-----|-----|---------|
| φ 19      | 16   | Rd36 × 1/8  | 72  | 86  | 126 | 8 × 8   |
| φ 25      | 22.4 | Rd40 × 1/6  | 72  | 90  | 126 | 8 × 8   |
| φ 32      | 28.8 | Rd48 × 1/6  | 83  | 92  | 126 | 8 × 8   |
| φ 38      | 35.1 | Rd60 × 1/6  | 87  | 104 | 133 | 10 × 10 |
| φ 51      | 47.8 | Rd70 × 1/6  | 101 | 113 | 144 | 10 × 10 |
| φ 63      | 59.5 | Rd85 × 1/6  | 121 | 128 | 160 | 11 × 11 |
| φ 76      | 72.2 | Rd98 × 1/6  | 135 | 138 | 220 | 11 × 11 |
| φ 89      | 85   | Rd105 × 1/6 | 140 | 144 | 220 | 11 × 11 |
| φ 102 min | 97.6 | Rd125 × 1/4 | 170 | 161 | 284 | 14 × 14 |
| φ 102 max | 97.6 | Rd132 × 1/6 | 170 | 161 | 284 | 14 × 14 |



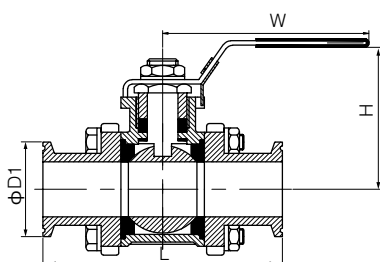
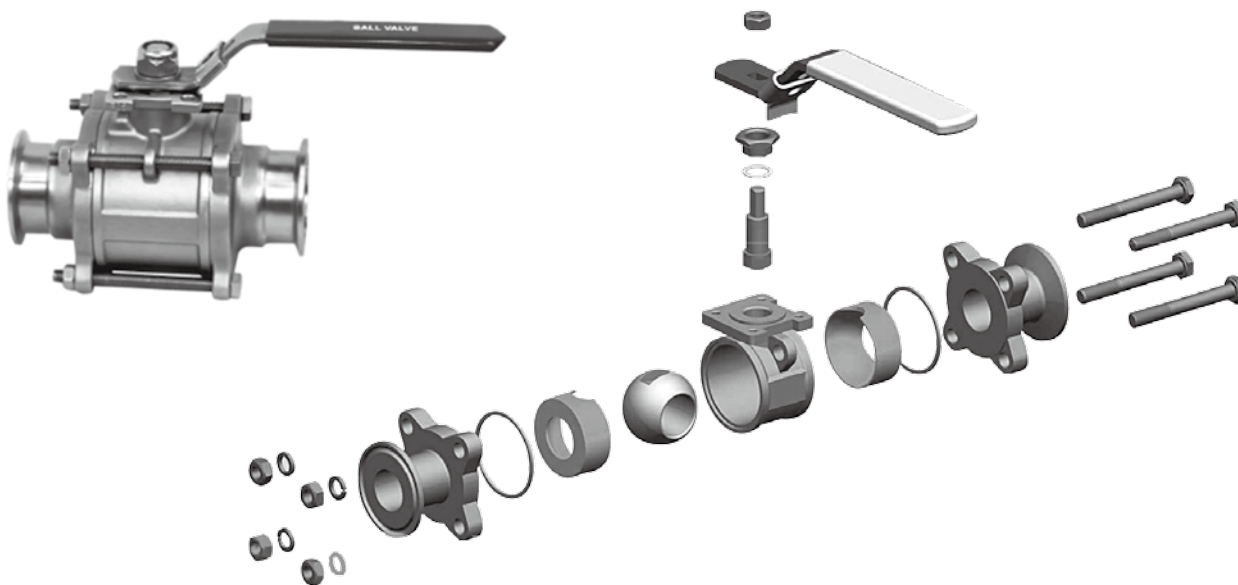
ST-V1062 螺纹式蝶式球阀(3A) Threaded Butterfly-Type Ball Valve(3A)

| 规格 Size | Dn   | G (Acme)    | A   | H   | J   | K       |
|---------|------|-------------|-----|-----|-----|---------|
| 1"      | 22.1 | 37.1 × 1/8  | 72  | 90  | 126 | 8 × 8   |
| 1 1/4"  | 28.8 | 45.9 × 1/8  | 83  | 92  | 126 | 8 × 8   |
| 1 1/2"  | 34.8 | 50.6 × 1/8  | 87  | 104 | 133 | 10 × 10 |
| 2"      | 47.5 | 64.1 × 1/8  | 101 | 113 | 144 | 10 × 10 |
| 2 1/2"  | 60.2 | 77.6 × 1/8  | 121 | 128 | 160 | 11 × 11 |
| 3"      | 72.9 | 91.1 × 1/8  | 135 | 138 | 220 | 11 × 11 |
| 4"      | 97.4 | 119.2 × 1/6 | 170 | 161 | 284 | 14 × 14 |



ST-V1063 卫生级快装式无滞留球阀 Sanitary Clamped Non-Retention Ball Valve

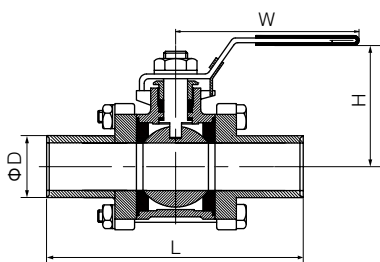
| DIN     |      |     |     |     | Inch   |      |     |     |     |
|---------|------|-----|-----|-----|--------|------|-----|-----|-----|
| 规格 Size | D    | A   | H   | J   | Size   | D    | A   | H   | J   |
| DN15    | 34   | 90  | 65  | 105 | 3/4"   | 25.4 | 90  | 65  | 105 |
| DN20    | 34   | 100 | 65  | 105 | 1"     | 50.5 | 110 | 70  | 105 |
| DN25    | 50.5 | 110 | 70  | 105 | 1 1/4" | 50.5 | 120 | 80  | 130 |
| DN32    | 50.5 | 120 | 80  | 130 | 1 1/2" | 50.5 | 140 | 80  | 150 |
| DN40    | 50.5 | 140 | 80  | 150 | 2"     | 64   | 164 | 85  | 160 |
| DN50    | 64   | 164 | 85  | 160 | 2 1/4" | 77.5 | 170 | 110 | 180 |
| DN65    | 91   | 180 | 110 | 180 | 2 1/2" | 77.5 | 180 | 110 | 180 |



ST-V1065

卡箍三片式无滞留球阀  
Clamp Three-Piece Non-Retention Ball Valve

| SIZE   |       | D1   | L   | W   | H    |
|--------|-------|------|-----|-----|------|
| 1/2"   | DN15  | 25.4 | 89  | 132 | 60   |
| 3/4"   | DN20  | 25.4 | 101 | 132 | 64.5 |
| 1"     | DN25  | 50.5 | 114 | 165 | 69   |
| 1 1/2" | DN40  | 50.5 | 138 | 194 | 89   |
| 2"     | DN50  | 64   | 156 | 194 | 97   |
| 2 1/2" | DN65  | 77.5 | 170 | 252 | 127  |
| 3"     | DN80  | 91   | 197 | 252 | 135  |
| 4"     | DN100 | 119  | 242 | 332 | 159  |



ST-V1066

焊接三片式无滞留球阀  
Welding Three-Piece Non-Retention Ball Valve

| SIZE   |       | D1    |     | L   | W   | H    |
|--------|-------|-------|-----|-----|-----|------|
| Inch   | DIN   | Inch  | DIN |     |     |      |
| 1/2"   | DN15  | 12.7  | 18  | 89  | 132 | 60   |
| 3/4"   | DN20  | 19    | 22  | 101 | 132 | 64.5 |
| 1"     | DN25  | 25.4  | 28  | 114 | 165 | 69   |
| 1 1/2" | DN40  | 38.1  | 40  | 138 | 194 | 89   |
| 2"     | DN50  | 50.8  | 52  | 156 | 194 | 97   |
| 2 1/2" | DN65  | 63.5  | 70  | 197 | 252 | 127  |
| 3"     | DN80  | 76.2  | 85  | 229 | 252 | 135  |
| 4"     | DN100 | 101.6 | 104 | 242 | 332 | 159  |

**操作原理**  
Operating principle

- 一般操作条件下，该阀门保持关闭。
- 通过调节带有压力螺母的弹簧，该阀门被校准到一个特定的压力。
- 当管路中的压力超过特定的压力时，阀门打开，让流体通过，以此减少管道系统中的压力。
- 该阀门可以带手柄，从而实现阀门部分开启。当手柄在现场清洗过程中保持开启状态时，清洗产品可以流经阀门。

- Under normal operating conditions, the valve remains closed.
- The specific pressure is set by adjusting the spring with the pressure nut.
- When the pressure in the pipes is above the specific pressure, the valve becomes open automatically to make the liquid pass over in order to reduce the pressure in the pipes.
- The valve can be with handle in order to realize partial open. When the handle remains open on the operation spot, the detergent can flow though the flow valves.

**选项**  
Options

- 连接：卡箍，法兰，螺纹，焊接 DIN SMS RJT IDF 3A
- 垫圈材质：EPDM NBR
- 压力操作范围（改变弹簧）
- 装配上手柄可以部分开启阀门，现场清洗时（与泵通道一起使用）可以让流体通过。
- Connections DIN-IDF-RJT-3A-SMS, Clamp, flanges, Welding, Threded.
- Material of gasket: EPDM NBR FPM
- Pressure Ranges (changing the spring).
- The assembly with handle can open the valve partially. When CIP (with use of pump passes), the liquid can be flowed though.

**技术规范**  
Technical specifications

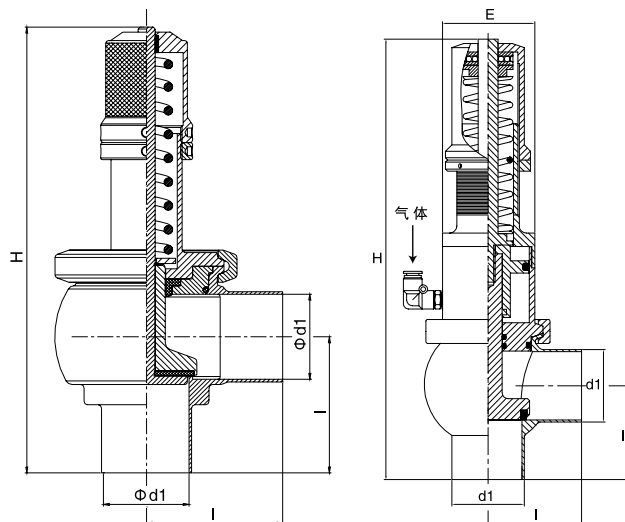
- 最大温度： 121°C (EPDM) / 250°F
- 最大操作压力： 弹簧可调节 (0-3bar / 0-6bar / 0-10bar) (0-43,5PSI/0-87PSI/0-145PSI)
- Max. temperature 121°C (EPDM) / 250°F
- Max. operating pressure Spring adjustable (0-3bar/0-6bar/0-10bar) (0-43,5PSI/0-87PSI/0-145PSI)

ST-V1067 DIN

| DN | d1 | 手动 H<br>Manual H | 气动 H<br>Pneumatic H | l  |
|----|----|------------------|---------------------|----|
| 25 | 26 | 219              | 275                 | 58 |
| 40 | 38 | 250              | 305                 | 60 |
| 50 | 50 | 252              | 305                 | 65 |
| 65 | 66 | 284              | 340                 | 75 |
| 80 | 81 | 301              | 355                 | 90 |

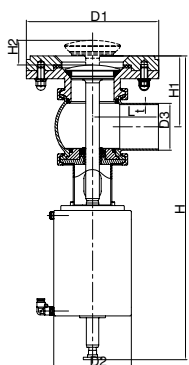
ST-V1068 英寸  
INCHES

| DN     | d1   | 手动 H<br>Manual H | 气动 H<br>Pneumatic H | l  |
|--------|------|------------------|---------------------|----|
| 1"     | 22,1 | 219              | 275                 | 58 |
| 1 1/2" | 34,8 | 238              | 305                 | 60 |
| 2"     | 47,5 | 252              | 305                 | 65 |
| 2 1/2" | 60,2 | 284              | 340                 | 70 |
| 3"     | 72,9 | 301              | 355                 | 90 |



安全阀  
Safety Valve

气动安全阀  
Pneumatic Safety Valve

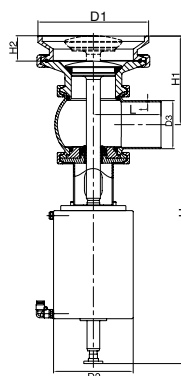


罐底座阀法兰连接(DIN)

ST-V1069

Tank Bottom Seat Valve(DIN)

| SIZE  | D1  | D2  | D3  |    | H   | H1  | H2 | L   | t   |
|-------|-----|-----|-----|----|-----|-----|----|-----|-----|
|       |     |     | 1   | 2  |     |     |    |     |     |
| DN40  | 120 | 85  | 40  | 41 | 395 | 85  | 30 | 60  | 1.5 |
| DN50  | 130 | 126 | 52  | 53 | 440 | 95  | 46 | 70  | 1.5 |
| DN65  | 165 | 126 | 70  | -  | 450 | 105 | 50 | 80  | 2.0 |
| DN80  | 180 | 126 | 85  | -  | 520 | 120 | 52 | 90  | 2.0 |
| DN100 | 215 | 168 | 104 | -  | 600 | 140 | 62 | 125 | 2.0 |



罐底座阀卡箍连接(DIN)

ST-V1070

Tank Bottom Seat Valve(DIN)

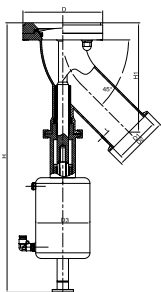
| SIZE  | D1  | D2  | D3  |    | H   | H1  | H2 | L   | t   |
|-------|-----|-----|-----|----|-----|-----|----|-----|-----|
|       |     |     | 1   | 2  |     |     |    |     |     |
| DN40  | 70  | 85  | 40  | 41 | 395 | 95  | 30 | 60  | 1.5 |
| DN50  | 89  | 126 | 52  | 53 | 440 | 105 | 46 | 70  | 1.5 |
| DN65  | 108 | 126 | 70  | -  | 450 | 115 | 50 | 80  | 2.0 |
| DN80  | 127 | 126 | 85  | -  | 520 | 130 | 52 | 90  | 2.0 |
| DN100 | 154 | 168 | 104 | -  | 600 | 150 | 62 | 125 | 2.0 |

ST-V1071

| SIZE   | D1  | D2  | D3    | H   | H1  | H2 | L   |
|--------|-----|-----|-------|-----|-----|----|-----|
| 1 1/2" | 120 | 85  | 38.1  | 395 | 85  | 30 | 60  |
| 2"     | 130 | 126 | 50.8  | 440 | 95  | 46 | 70  |
| 2 1/2" | 165 | 126 | 63.5  | 450 | 105 | 50 | 80  |
| 3"     | 180 | 126 | 76.2  | 520 | 120 | 52 | 90  |
| 3 1/2" | 180 | 126 | 89    | 520 | 120 | 52 | 90  |
| 4"     | 215 | 168 | 101.6 | 600 | 140 | 62 | 125 |

ST-V1072

| SIZE   | D1  | D2  | D3    | H   | H1  | H2 | L   |
|--------|-----|-----|-------|-----|-----|----|-----|
| 1 1/2" | 70  | 85  | 38.1  | 405 | 95  | 30 | 60  |
| 2"     | 89  | 126 | 50.8  | 450 | 105 | 46 | 70  |
| 2 1/2" | 108 | 126 | 63.5  | 460 | 115 | 50 | 80  |
| 3"     | 127 | 126 | 76.2  | 530 | 130 | 52 | 90  |
| 3 1/2" | 127 | 126 | 89    | 530 | 130 | 52 | 90  |
| 4"     | 154 | 168 | 101.6 | 610 | 150 | 62 | 125 |

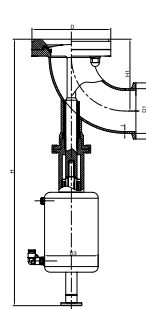


45角度弯头罐底座阀

ST-V1073

45 Degree Elbow Tank Bottom Seat Valve

| SIZE | D   | D1 | D2   | D3 | H   | H1    | t   |
|------|-----|----|------|----|-----|-------|-----|
| DN50 | 112 | 52 | 64   | 76 | 338 | 112.5 | 1.5 |
| DN65 | 112 | 70 | 77.5 | 76 | 365 | 153.5 | 2.0 |



90角度弯头罐底座阀

ST-V1074

90 Degree Elbow Tank Bottom Seat Valve

| SIZE | D   | D1 | D2   | D3 | H   | H1  | t   |
|------|-----|----|------|----|-----|-----|-----|
| DN50 | 112 | 52 | 64   | 76 | 338 | 87  | 1.5 |
| DN65 | 112 | 70 | 77.5 | 76 | 365 | 121 | 2.0 |

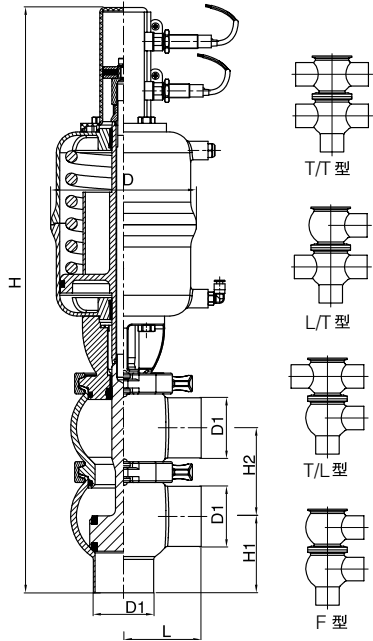
ST-V1075

| SIZE   | D   | D1   | D2   | D3 | H   | H1    |
|--------|-----|------|------|----|-----|-------|
| 2"     | 112 | 50.8 | 64   | 76 | 338 | 112.5 |
| 2 1/2" | 112 | 63.5 | 77.5 | 76 | 365 | 153.5 |

ST-V1076

| SIZE   | D   | D1   | D2   | D3 | H   | H1  |
|--------|-----|------|------|----|-----|-----|
| 2"     | 112 | 50.8 | 64   | 76 | 338 | 87  |
| 2 1/2" | 112 | 63.5 | 77.5 | 76 | 365 | 121 |

● 截止换向阀 ●● STOP REVERSING VALVE/SINGE SEAT VALVE ●●● VALVE

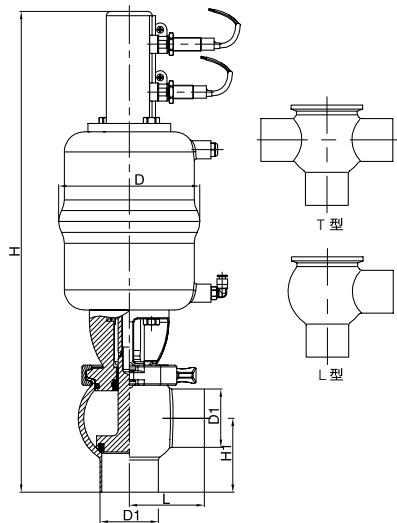


ST-V1077 气动截止换向阀(DIN) Pneumatic Stop Reversing Valve (DIN)

| SIZE  | H   | H1  | H2  | t   | D1  |    | D   | L   |
|-------|-----|-----|-----|-----|-----|----|-----|-----|
|       |     |     |     |     | 1   | 2  |     |     |
| DN25  | 425 | 58  | 67  | 1.5 | 28  | 29 | 85  | 61  |
| DN32  | 425 | 58  | 67  | 1.5 | 34  | 35 | 85  | 61  |
| DN40  | 425 | 58  | 67  | 1.5 | 40  | 41 | 85  | 59  |
| DN50  | 460 | 66  | 76  | 1.5 | 52  | 53 | 126 | 66  |
| DN65  | 485 | 77  | 88  | 2.0 | 70  | -  | 126 | 77  |
| DN80  | 620 | 97  | 106 | 2.0 | 85  | -  | 133 | 107 |
| DN100 | 670 | 106 | 146 | 2.0 | 104 | -  | 170 | 114 |

ST-V1078 气动截止换向阀(3A,SMS,ISO,IDF) Pneumatic Stop Reversing Valve (3A,SMS,ISO,IDF)

| SIZE   | H   | H1  | H2  | D   | D1    | L   |
|--------|-----|-----|-----|-----|-------|-----|
| 1"     | 425 | 58  | 67  | 85  | 25.4  | 61  |
| 1 1/4" | 425 | 58  | 67  | 85  | 31.8  | 61  |
| 1 1/2" | 425 | 58  | 67  | 85  | 38.1  | 59  |
| 2"     | 460 | 66  | 76  | 126 | 50.8  | 66  |
| 2 1/2" | 485 | 77  | 88  | 126 | 63.5  | 77  |
| 3"     | 580 | 97  | 106 | 126 | 76.2  | 107 |
| 3 1/2" | 620 | 97  | 106 | 133 | 89    | 107 |
| 4"     | 670 | 106 | 146 | 170 | 101.6 | 114 |

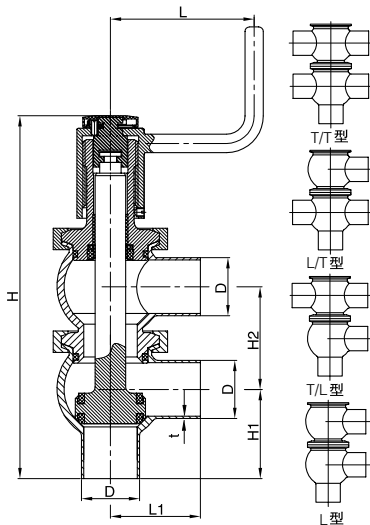


ST-V1079 气动截止换向阀(DIN) Pneumatic Stop Reversing Valve (DIN)

| SIZE  | H   | H1  | t   | D1  |    | D   | L   |
|-------|-----|-----|-----|-----|----|-----|-----|
|       |     |     |     | 1   | 2  |     |     |
| DN25  | 360 | 58  | 1.5 | 28  | 29 | 85  | 61  |
| DN32  | 360 | 58  | 1.5 | 34  | 35 | 85  | 61  |
| DN40  | 360 | 58  | 1.5 | 40  | 41 | 85  | 59  |
| DN50  | 400 | 66  | 1.5 | 52  | 53 | 126 | 66  |
| DN65  | 410 | 77  | 2.0 | 70  | -  | 126 | 77  |
| DN80  | 525 | 97  | 2.0 | 85  | -  | 133 | 107 |
| DN100 | 550 | 106 | 2.0 | 104 | -  | 170 | 114 |

ST-V1080 气动截止换向阀(3A,SMS,ISO,IDF) Pneumatic Stop Reversing Valve (3A,SMS,ISO,IDF)

| SIZE   | H   | H1  | D   | D1    | L   |
|--------|-----|-----|-----|-------|-----|
| 1"     | 360 | 58  | 85  | 25.4  | 61  |
| 1 1/4" | 360 | 58  | 85  | 31.8  | 61  |
| 1 1/2" | 360 | 58  | 85  | 38.1  | 59  |
| 2"     | 400 | 66  | 126 | 50.8  | 66  |
| 2 1/2" | 410 | 77  | 126 | 63.5  | 77  |
| 3"     | 525 | 97  | 129 | 76.2  | 107 |
| 3 1/2" | 525 | 97  | 170 | 89    | 107 |
| 4"     | 550 | 106 | 170 | 101.6 | 114 |

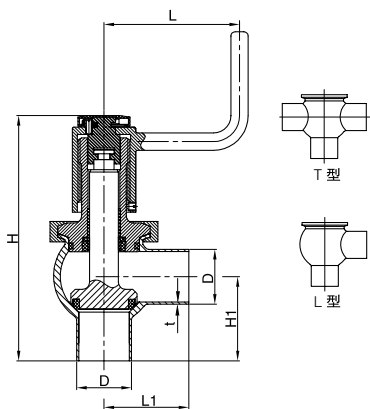


ST-V1081 手动截止换向阀(DIN) Manual Stop Reversing Valve (DIN)

| SIZE  | H   | H1  | H2  | t   | D   |    | L   | L1  |
|-------|-----|-----|-----|-----|-----|----|-----|-----|
|       |     |     |     |     | 1   | 2  |     |     |
| DN25  | 240 | 58  | 67  | 1.5 | 28  | 29 | 94  | 61  |
| DN32  | 240 | 58  | 67  | 1.5 | 34  | 35 | 94  | 61  |
| DN40  | 240 | 58  | 67  | 1.5 | 40  | 41 | 94  | 59  |
| DN50  | 266 | 66  | 76  | 1.5 | 52  | 53 | 94  | 66  |
| DN65  | 300 | 77  | 88  | 2.0 | 70  | -  | 94  | 77  |
| DN80  | 347 | 97  | 106 | 2.0 | 85  | -  | 94  | 107 |
| DN100 | 400 | 106 | 146 | 2.0 | 104 | -  | 100 | 114 |

ST-V1082 手动截止换向阀(3A,SMS,ISO,IDF) Manual Stop Reversing Valve (3A,SMS,ISO,IDF)

| SIZE   | H   | H1  | H2  | D     | L   | L1  |
|--------|-----|-----|-----|-------|-----|-----|
| 1"     | 240 | 58  | 67  | 25.4  | 94  | 61  |
| 1 1/4" | 240 | 58  | 67  | 31.8  | 94  | 61  |
| 1 1/2" | 240 | 58  | 67  | 38.1  | 94  | 59  |
| 2"     | 266 | 66  | 76  | 50.8  | 94  | 66  |
| 2 1/2" | 300 | 77  | 88  | 63.5  | 94  | 77  |
| 3"     | 347 | 97  | 106 | 76.2  | 94  | 107 |
| 3 1/2" | 347 | 97  | 106 | 89    | 94  | 107 |
| 4"     | 400 | 106 | 146 | 101.6 | 100 | 114 |



ST-V1083 手动截止换向阀(DIN) Manual Stop Reversing Valve (DIN)

| SIZE  | H   | H1  | t   | D   |    | L   | L1  |
|-------|-----|-----|-----|-----|----|-----|-----|
|       |     |     |     | 1   | 2  |     |     |
| DN25  | 173 | 58  | 1.5 | 28  | 29 | 94  | 61  |
| DN32  | 173 | 58  | 1.5 | 34  | 35 | 94  | 61  |
| DN40  | 173 | 58  | 1.5 | 40  | 41 | 94  | 59  |
| DN50  | 190 | 66  | 1.5 | 52  | 53 | 94  | 66  |
| DN65  | 212 | 77  | 2.0 | 70  | -  | 94  | 77  |
| DN80  | 240 | 97  | 2.0 | 85  | -  | 94  | 107 |
| DN100 | 254 | 106 | 2.0 | 104 | -  | 100 | 114 |

ST-V1084 手动截止换向阀(3A,SMS,ISO,IDF) Manual Stop Reversing Valve (3A,SMS,ISO,IDF)

| SIZE   | H   | H1  | D     | L   | L1  |
|--------|-----|-----|-------|-----|-----|
| 1"     | 173 | 58  | 25.4  | 94  | 61  |
| 1 1/4" | 173 | 58  | 31.8  | 94  | 61  |
| 1 1/2" | 173 | 58  | 38.1  | 94  | 59  |
| 2"     | 190 | 66  | 50.8  | 94  | 66  |
| 2 1/2" | 212 | 77  | 63.5  | 94  | 77  |
| 3"     | 240 | 97  | 76.2  | 94  | 107 |
| 3 1/2" | 240 | 97  | 89    | 94  | 107 |
| 4"     | 254 | 106 | 101.6 | 100 | 114 |



### 应用 Application

乳制品、制药、啤酒、食品、饲料、环保水处理、化妆品及化工领域；  
此阀设计精密，反应敏捷，水击作用极小，可以有更高的流速；  
接口为螺纹口(常规)外部先导角座阀，溢流口与滑块间有自调节密封压盖，阀体角座结构可实现较大流量，延长使用寿命，  
在同类阀中具有更经济，免维护，易安装，低能耗的特点。

Dairy products, pharmacy, beer, food, feedstuff, environment protection water treatment, cosmetics and chemical engineering field;

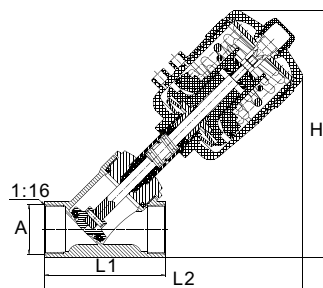
This valve has precision design, can respond quickly, with extremely small water hammer action but with higher flow speed; Interface is threaded mouth(regular), external part is firstly guided with corner valve, there is self-adjusting seal gland between overflow port and sliding block, valve body corner seat structure can ensure comparatively large flow capacity, extend service lifetime, with characteristics such as being economical, non-maintenance, easy installation and low energy consumption.



### 技术参数 Technical parameters

压力范围：0 ~ 16 bar  
介质温度：-10°C ~ +180°C  
环境温度：-100°C ~ +600°C  
阀门材质：SUS316L  
密封材质：聚四氟乙烯PTFE  
控制气体：中性气体、空气

Pressure range: 0~16 bar  
Medium temperature: -10° C~+180° C  
Ambient temperature: -100° C~+600° C  
Valve material: SUS316L  
Seal material: Polyfluortetraethylene PTFE  
Control gas: neutral gas, air



塑料气动焊接式角座阀  
ST-V1085 Plastic Pneumatic Welded Angle Seat Valve

| SIZE   | A     | L1  | L2  | H   |
|--------|-------|-----|-----|-----|
| DN20   | Rc3/4 | 94  | 200 | 185 |
| DN25   | Rc1.0 | 104 | 210 | 195 |
| DN40-s | Rc1.5 | 130 | 225 | 212 |
| DN40-b | Rc1.5 | 130 | 300 | 287 |
| DN50   | Rc2.0 | 150 | 320 | 306 |
| DN65   | Rc2.5 | 185 | 347 | 333 |

工作原理

Operating Principles

过滤器用于阻止被过滤介质中的固体颗粒进入后续管道的设备，介质从过滤器入口进入一定规格的滤芯后，其较大的固体颗粒或杂质留在滤芯内，过滤后的介质则由出口流出，达到使用要求。当过滤器前后压差超出要求或滤芯损坏时，只须将滤芯取出，清洗干净或更换滤芯，重新安装好便可使用。

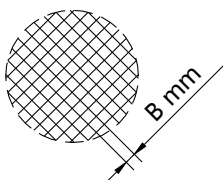
Working Principle: filter is used to prevent the solid particles from media mixed into the follow-up pipeline facilities. The larger solid particles or impurities will remaining in it after the media is put into proper filter core, as it can reach the request. When surrounding pressure of the filter exceeds demand, or when the filter core is damaged, you can remove the filter, clean or change new filter core, and re-install it.

过滤器根据使用要求可选用不同的滤芯，其滤芯有三种类型（冲孔板网滤芯，金属丝网滤芯及楔形滤芯）其过滤能力如下：

filters can be matched by different cores according to usage requirements. There are three types of cores (metal mesh, perforated plate and wedge wire)

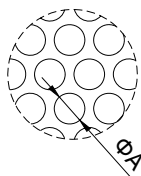
The filtering capabilities are as follows

金属丝网滤芯  
Metal Mesh



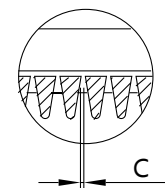
| 目数<br>Mesh | B(mm) | 有效面积<br>Useful surface(%) |
|------------|-------|---------------------------|
| 30         | 0,55  | 48                        |
| 40         | 0,40  | 46                        |
| 60         | 0,30  | 52,6                      |
| 80         | 0,20  | 42                        |
| 100        | 0,15  | 36,2                      |
| 165        | 0,10  | 45,4                      |

冲孔板网滤芯  
Perforated Plate



| A<br>孔径 | 有效面积<br>Useful surface(%) |
|---------|---------------------------|
| 0.5     | 15                        |
| 1       | 28                        |
| 1.5     | 33                        |
| 2       | 30                        |
| 3       | 33                        |
| 5       | 46                        |

楔形滤芯  
Wedge Wire



| 目数<br>Mesh | C(mm) | 有效面积<br>Useful surface(%) |
|------------|-------|---------------------------|
| 30         | 0,55  | 48                        |
| 40         | 0,40  | 46                        |
| 60         | 0,30  | 52,6                      |
| 80         | 0,20  | 42                        |
| 100        | 0,15  | 36,2                      |
| 165        | 0,10  | 45,4                      |



角式过滤器  
Angle-type Strainer



直通过滤器  
Straight Strainer



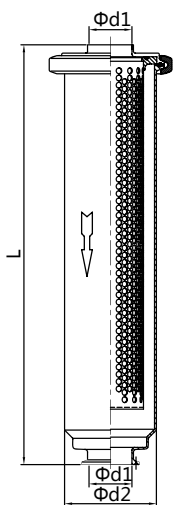
卫生级微孔过滤器  
Sanitary Micro-Filter



Y型过滤器  
Y-type Strainer



ST-V1086



焊接式直通过滤器  
Welded Straight Strainer

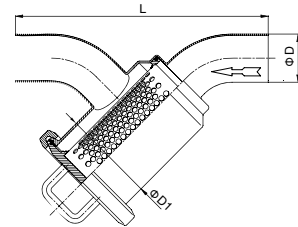
DIN

| DN  | D   | d2    | L   |
|-----|-----|-------|-----|
| 25  | 28  | 70    | 386 |
| 32  | 34  | 70    | 386 |
| 40  | 40  | 70    | 472 |
| 50  | 52  | 70    | 472 |
| 65  | 70  | 114.3 | 648 |
| 80  | 85  | 129.0 | 648 |
| 100 | 104 | 139.7 | 798 |

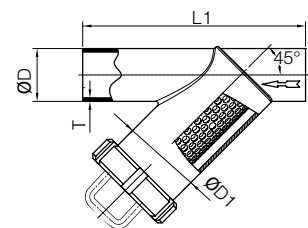
INCH

| Size   | D   | d2    | L   |
|--------|-----|-------|-----|
| 1"     | 25  | 70    | 377 |
| 1-1/2" | 38  | 70    | 462 |
| 2"     | 51  | 70    | 637 |
| 2-1/2" | 63  | 114.3 | 637 |
| 3"     | 76  | 114.3 | 784 |
| 4"     | 102 | 139.7 | 784 |

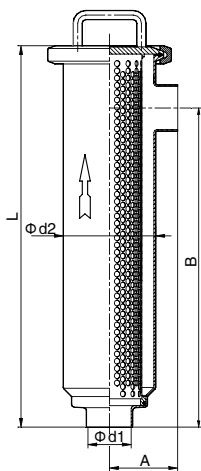
ST-V1087



ST-V1088



ST-V1089



焊接角式过滤器  
Welded angle-type Strainer

DIN

| DN  | D   | d2    | A   | B   | L   |
|-----|-----|-------|-----|-----|-----|
| 25  | 28  | 70    | 75  | 250 | 306 |
| 32  | 34  | 70    | 75  | 250 | 306 |
| 40  | 40  | 70    | 75  | 250 | 306 |
| 50  | 52  | 70    | 75  | 300 | 406 |
| 65  | 70  | 114.3 | 100 | 380 | 503 |
| 80  | 85  | 129.0 | 110 | 420 | 561 |
| 100 | 104 | 139.7 | 125 | 500 | 660 |

INCH

| Size   | D   | d2    | A   | B   | L   |
|--------|-----|-------|-----|-----|-----|
| 1"     | 25  | 70    | 75  | 250 | 306 |
| 1-1/2" | 38  | 70    | 75  | 250 | 306 |
| 2"     | 51  | 70    | 75  | 300 | 406 |
| 2-1/2" | 63  | 114.3 | 100 | 380 | 503 |
| 3"     | 76  | 114.3 | 100 | 420 | 561 |
| 4"     | 102 | 139.7 | 125 | 500 | 660 |

焊接式 Y 型过滤器

Welded Y-type Strainer

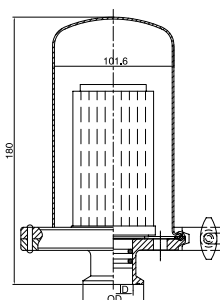
DIN

| DN  | D   | D1    | L   | L1  |
|-----|-----|-------|-----|-----|
| 25  | 28  | 76.2  | 235 | 125 |
| 32  | 34  | 76.2  | 240 | 140 |
| 40  | 40  | 101.6 | 260 | 165 |
| 50  | 52  | 101.6 | 280 | 195 |
| 65  | 70  | 114.3 | 320 | 30  |
| 80  | 85  | 114.3 | 375 | 280 |
| 100 | 104 | 154   | 400 | 340 |

INCH

| Size   | D   | D1    | L   | L1  |
|--------|-----|-------|-----|-----|
| 1"     | 25  | 76.2  | 213 | 123 |
| 1-1/2" | 28  | 101.6 | 242 | 144 |
| 2"     | 51  | 114.3 | 300 | 195 |
| 2-1/2" | 63  | 114.3 | 348 | 210 |
| 3"     | 76  | 154   | 378 | 240 |
| 4"     | 102 | 154   | 468 | 340 |

## 空气呼吸器 REBREATHER



ST-V1090

| Size   | ID | OD   |
|--------|----|------|
| 1"     | 22 | 50.5 |
| 1 1/4" | 29 | 50.5 |
| 1.5"   | 35 | 50.5 |
| 2"     | 48 | 64   |



材质  
Material

- 阀体:AISI 316L
- 手柄:AISI 304
- 密封圈: MVQ EPDM

- Valve body:AISI 316L
- Handle:AISI 304
- Gasket: MVQ/EPDM

技术规范  
Technical specification

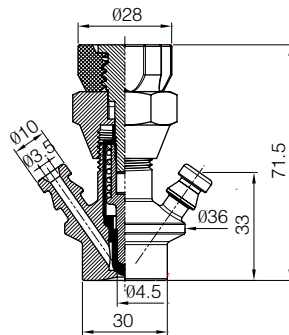
- 最大压力:600kpa(6bar)
- 温度
- 最高温度:130°C
- 干蒸汽:(2bar)121°C
- 连接方式: 螺纹, 卡箍, 焊接

- Max.working pressure:600kPa(6bar)
- Temperature
- Max.temperature:130° C
- Dry steam:(2bar)121° C
- Connections: thread, clamp, weld

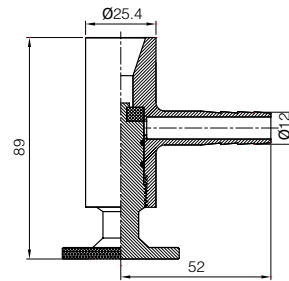
建议:消毒200次,更换密封圈

Ordering:

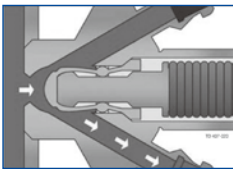
It is recommended that the membrane be changed every 200 sterilizations.



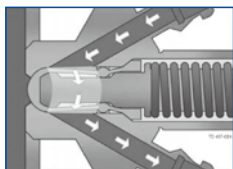
自动回位式焊接无菌取样阀  
Automatic return type welded aseptic sampling valve



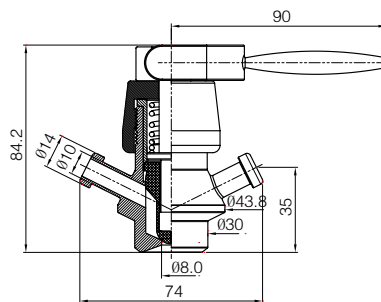
焊接式取样阀  
Welded Sampling Valve



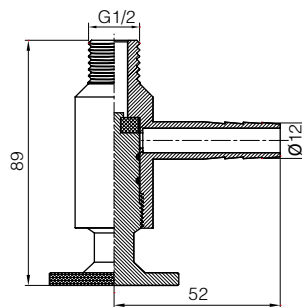
开启阀门, 取样  
Open valve, Sampling.



关闭阀门, 消毒  
Closed valve, Sterilizing.



板手式焊接无菌取样阀  
Turning handle type welded sampling valve



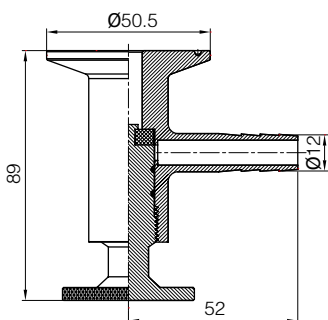
螺纹式取样阀  
Thread Sampling Valve  
Hose ferrule

技术参数

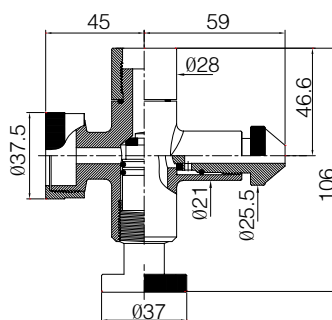
Technical specification

- 接口方式: 螺纹, 卡箍, 焊接
- 最大压力: 10bar 145psi
- 最小压力: 真空
- 适用温度: -10°C 50° F至 120°C /248°C
- 阀体材质: AISI 304 AISI 316L
- 密封材质: PTFE
- Connections: thread, clamp, weld
- Max. pressure: 10bar 145psi
- Min. pressure: vacuum
- emperature: -10°C 50° F至120°C / 248°C
- Body material: AISI304 AISI316L
- Seal material: PTFE

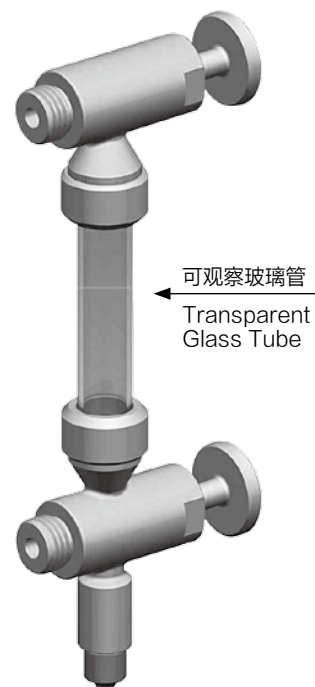
- 该取样阀接口方式: 螺纹, 卡箍, 焊接
- 规格: 1/4", 3/8", 1/2", 3/4"
- 密封材质: PTFE符合FDA177.2600
- 垫圈材质: EPDM NBR FPM 符合FDA177.2600
- 最高压力: 10Bar
- 最高温度: 120°C
- Connections: thread, clamp, weld
- Size: 1/4 " , 3/8 " , 1/2 " , 3/4"
- Seal material: PTFE in accordance with FDA177.2600
- Max. pressure: 10bar
- Max. Temperature: 120°C



卡箍式取样阀  
Clamped Sampling Valve

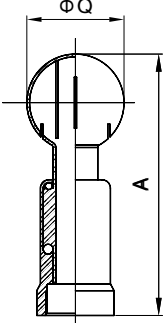


液位计  
Level Gauge



## 旋转式清洗球 Rotary Cleaning Ball

ST-V1091 螺纹式  
Threaded

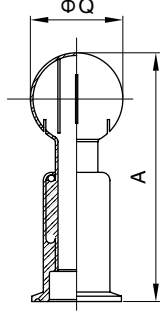


| Size   | A     | Q    |
|--------|-------|------|
| 1"     | 140.0 | 53.0 |
| 1 1/4" | 160.0 | 53.0 |
| 1 1/2" | 170.0 | 63.0 |
| 2"     | 192.0 | 76.0 |
| 2 1/2" | 220.0 | 91.0 |

技术参数 Technical parameter

| Size    | Pressure (bar) | Cleaning radius (m) | Fluxation m <sup>3</sup> /h |
|---------|----------------|---------------------|-----------------------------|
| 1"~1.5" | 2              | 1.25                | 12                          |
| 2"      | 2              | 1.5                 | 38                          |
| 2.5"    | 2              | 2.0                 | 38                          |

ST-V1092 卡箍式  
Clamped

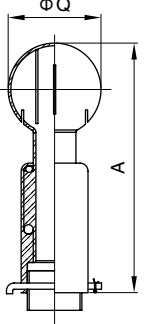


| Size   | A     | Q    |
|--------|-------|------|
| 1"     | 138.0 | 53.0 |
| 1 1/4" | 138.0 | 53.0 |
| 1 1/2" | 138.0 | 53.0 |
| 2"     | 168.0 | 63.0 |
| 2 1/2" | 190.0 | 76.0 |

技术参数 Technical parameter

| Size    | Pressure (bar) | Cleaning radius (m) | Fluxation m <sup>3</sup> /h |
|---------|----------------|---------------------|-----------------------------|
| 1"~1.5" | 2              | 1.25                | 12                          |
| 2"      | 2              | 1.5                 | 38                          |
| 2.5"    | 2              | 2.0                 | 38                          |

ST-V1093 插销式  
Bolted

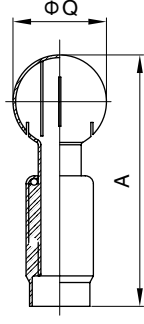


| Size   | A     | Q    |
|--------|-------|------|
| 1"     | 135.0 | 53.0 |
| 1 1/4" | 137.0 | 53.0 |
| 1 1/2" | 137.0 | 53.0 |
| 2"     | 168.0 | 63.0 |
| 2 1/2" | 190.0 | 76.0 |

技术参数 Technical parameter

| Size    | Pressure (bar) | Cleaning radius (m) | Fluxation m <sup>3</sup> /h |
|---------|----------------|---------------------|-----------------------------|
| 1"~1.5" | 2              | 1.25                | 12                          |
| 2"      | 2              | 1.5                 | 38                          |
| 2.5"    | 2              | 2.0                 | 38                          |

ST-V1094 焊接式  
Welded



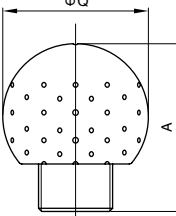
| Size   | A     | Q    |
|--------|-------|------|
| 1"     | 143.0 | 53.0 |
| 1 1/4" | 145.0 | 53.0 |
| 1 1/2" | 145.0 | 53.0 |
| 2"     | 180.0 | 63.0 |
| 2 1/2" | 200.0 | 76.0 |

技术参数 Technical parameter

| Size    | Pressure (bar) | Cleaning radius (m) | Fluxation m <sup>3</sup> /h |
|---------|----------------|---------------------|-----------------------------|
| 1"~1.5" | 2              | 1.25                | 12                          |
| 2"      | 2              | 1.5                 | 38                          |
| 2.5"    | 2              | 2.0                 | 38                          |

## 固定式清洗球 Fixed Cleaning Ball

ST-V1095 螺纹式  
Threaded

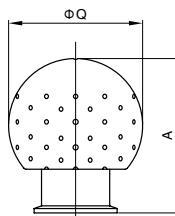


| Size   | A     | Q    |
|--------|-------|------|
| 1"     | 72.0  | 63.0 |
| 1 1/4" | 85.0  | 76.0 |
| 1 1/2" | 87.0  | 76.0 |
| 2"     | 102.0 | 91.0 |

技术参数 Technical parameter

| Size         | Pressure (bar) | Cleaning radius (m) | 360° / 180° Fluxation m <sup>3</sup> /h |
|--------------|----------------|---------------------|---|
| 1"           | 2.5            | 1.0~1.25            | 17/10                                   |
| 1.1/4~1.1/2" | 2.5            | 1.25~1.75           | 23/17                                   |
| 2"           | 3.5            | 2.0~3.0             | 55/38                                   |
| 2 1/2"       | 3.5            | 3.0~3.5             | 58/41                                   |

ST-V1096 卡箍式  
Clamped



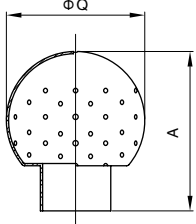
| Size   | A     | Q     |
|--------|-------|-------|
| 1"     | 80.0  | 63.0  |
| 1 1/4" | 93.0  | 76.0  |
| 1 1/2" | 93.0  | 76.0  |
| 2"     | 108.0 | 91.0  |
| 2 1/2" | 115.0 | 100.0 |

技术参数 Technical parameter

| Size         | Pressure (bar) | Cleaning radius (m) | 360° / 180° Fluxation m <sup>3</sup> /h |
|--------------|----------------|---------------------|---|
| 1"           | 2.5            | 1.0~1.25            | 17/10                                   |
| 1 1/4~1 1/2" | 2.5            | 1.25~1.75           | 23/17                                   |
| 2"           | 3.5            | 2.0~3.0             | 55/38                                   |
| 2 1/2"       | 3.5            | 3.0~3.5             | 58/41                                   |

## 固定式清洗球 Fixed Cleaning Ball

ST-V1097 焊接式 Welded

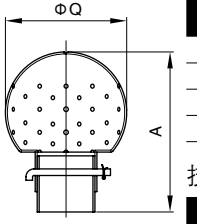


| Size   | A     | Q     |
|--------|-------|-------|
| 1"     | 72.0  | 53.0  |
| 1 1/2" | 85.0  | 63.0  |
| 2"     | 87.0  | 91.0  |
| 2 1/2" | 102.0 | 100.0 |

技术参数 Technical parameter

| Size         | Pressure (bar) | Cleaning radius (m) | 360° /180° Fluxation m <sup>3</sup> /h |
|--------------|----------------|---------------------|--|
| 1"           | 2.5            | 1.0-1.25            | 17/10                                  |
| 1 1/4~1 1/2" | 2.5            | 1.25-1.75           | 23/17                                  |
| 2"           | 3.5            | 2.0-3.0             | 55/38                                  |
| 2 1/2"       | 3.5            | 3.0-3.5             | 58/41                                  |

ST-V1098 插销式 Bolted



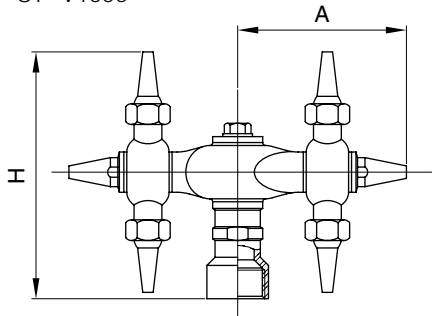
| Size   | A     | Q     |
|--------|-------|-------|
| 1"     | 95.0  | 63.0  |
| 1 1/2" | 110.0 | 76.0  |
| 2"     | 125.0 | 91.0  |
| 2 1/2" | 135.0 | 100.0 |

技术参数 Technical parameter

| Size         | Pressure (bar) | Cleaning radius (m) | 360° /180° Fluxation m <sup>3</sup> /h |
|--------------|----------------|---------------------|--|
| 1"           | 2.5            | 1.0-1.25            | 17/10                                  |
| 1 1/4~1 1/2" | 2.5            | 1.25-1.75           | 23/17                                  |
| 2"           | 3.5            | 2.0-3.0             | 55/38                                  |
| 2 1/2"       | 3.5            | 3.0-3.5             | 58/41                                  |

## 旋转式清洗器 Rotary Cleaner

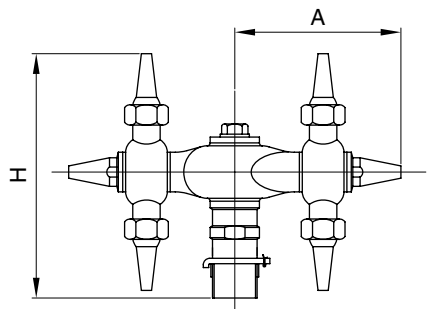
ST-V1099



技术参数 Technical parameter 螺纹式 Threaded

| Size         | A     | H     | Pressure (bar) | Cleaning radius (m) | Fluxation m <sup>3</sup> /h |
|--------------|-------|-------|----------------|---------------------|-----------------------------|
| 1"           | 118.0 | 165.0 | 1.5-2.0        | 2.0-3.0             | 23                          |
| 1 1/4~1 1/2" | 142.0 | 189.0 | 1.8-2.5        | 2.5-3.0             | 38                          |
| 2"           | 145.0 | 191.0 | 2.5-3.0        | 3.5-4.0             | 60                          |

ST-V1100



技术参数 Technical parameter 插销式 Bolted

| Size         | A     | H     | Pressure (bar) | Cleaning radius (m) | Fluxation m <sup>3</sup> /h |
|--------------|-------|-------|----------------|---------------------|-----------------------------|
| 1"           | 118.0 | 175.0 | 1.5-2.0        | 2.0-3.0             | 23                          |
| 1 1/4~1 1/2" | 142.0 | 200.0 | 1.8-2.5        | 2.5-3.0             | 38                          |
| 2"           | 145.0 | 205.0 | 2.5-3.0        | 3.5-4.0             | 60                          |

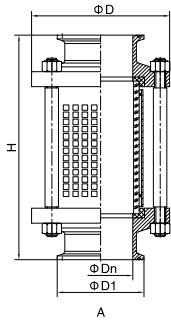


**设计和特点**  
Design and features

- 规格DN-25/1" 到100/4".
- 通径设计
- 360° 观看角度
- 可以垂直或水平使用
- Sizes: DN-25/1"-100/4".
- Full bore design.
- 360° viewing angle.
- Can be used in vertical or horizontal position.

**材质**  
Materials

- 保护套      AISI 304
- 玻璃         钢化玻璃
- 垫圈         VMQ FDA 177.2600
- 表面处理    CNC车床
- Protective net: AISI304
- Glass: tempered glass
- Gasket: VMQ FDA177.2600
- Surface treatment: CNC machining



防护网视镜

Sight glass with protective net

**技术规格**  
Technical specifications

- 工作温度: -10°C到120°C (silicone)
- 最大操作压力(bar)
- Working temp: -10°C to 120°C (Silicone)
- Max.operating pressure (bar)

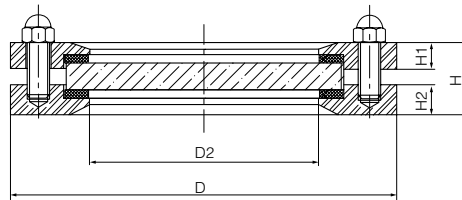
| DIN     | 25 | 32 | 40 | 50 | 65 | 80 | 100 |
|---------|----|----|----|----|----|----|-----|
| PYREX玻璃 | 10 | 10 | 10 | 8  | 7  | 6  | 5   |

ST-V1101      直通焊接式视镜(DIN)  
Straight Welded Sight Glass(DIN)

| Size        | H   | D   | D1        |
|-------------|-----|-----|-----------|
| DN10 1/2"   | 140 | 78  | 13 12.7   |
| DN15 3/4"   | 140 | 78  | 18 19.1   |
| DN20 1"     | 140 | 78  | 22 25.4   |
| DN25 1 1/4" | 140 | 78  | 28 31.8   |
| DN32 1 1/2" | 140 | 86  | 34 38.1   |
| DN40 2"     | 140 | 90  | 40 50.8   |
| DN50 2 1/2" | 142 | 102 | 52 63.5   |
| DN65 3"     | 146 | 124 | 70 76.2   |
| DN80 3 1/2" | 150 | 139 | 85 89     |
| DN100 4"    | 154 | 154 | 104 101.6 |
| DN125 5"    | 170 | 185 | 129 133   |
| DN150 6"    | 180 | 215 | 154 159   |

ST-V1102      直通卡箍式视镜  
Straight Clamped Sight Glass

| Size        | H   | D   | D1          |
|-------------|-----|-----|-------------|
| DN10 1/2"   | 156 | 78  | 34 25.4     |
| DN15 3/4"   | 156 | 78  | 34 25.4     |
| DN20 1"     | 156 | 78  | 34 50.5     |
| DN25 1 1/4" | 156 | 78  | 50.5 50.5   |
| DN32 1 1/2" | 156 | 78  | 50.5 50.5   |
| DN40 2"     | 160 | 86  | 50.5 64     |
| DN50 2 1/2" | 166 | 102 | 64 77.5     |
| DN65 3"     | 174 | 120 | 91 91       |
| DN80 3 1/2" | 174 | 134 | 106 106     |
| DN100 4"    | 194 | 154 | 119 119     |
| DN125 5"    | 212 | 185 | 144.4 144.4 |
| DN150 6"    | 236 | 215 | 167 183     |

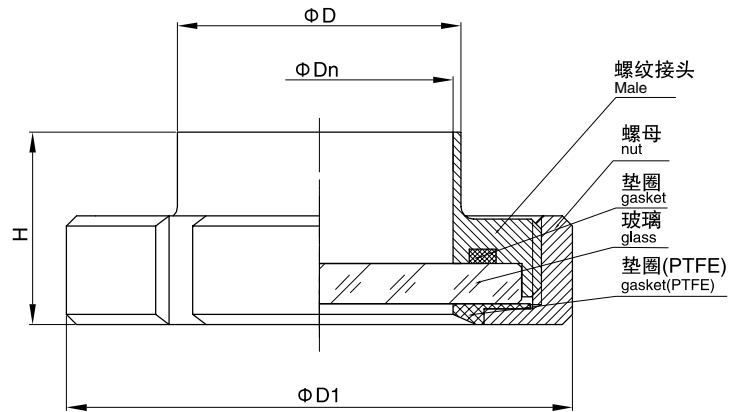
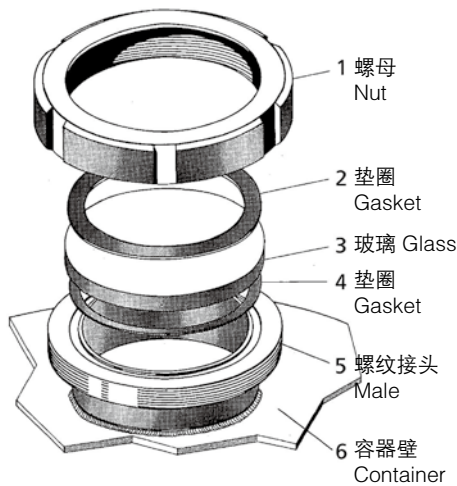


法兰视镜  
ST-V1103 Flanged Sight Glass

| Size  | H  | H1 | H2 | D   | D2  |
|-------|----|----|----|-----|-----|
| DN40  | 25 | 14 | 8  | 115 | 68  |
| DN50  | 29 | 16 | 10 | 140 | 78  |
| DN65  | 29 | 16 | 10 | 155 | 98  |
| DN80  | 29 | 16 | 10 | 155 | 98  |
| DN100 | 30 | 16 | 11 | 190 | 128 |
| DN125 | 33 | 18 | 12 | 224 | 154 |
| DN150 | 41 | 20 | 18 | 250 | 183 |
| DN200 | 45 | 22 | 20 | 310 | 233 |

由任式视镜

UNION-TYPE-SIGHT-GLASS



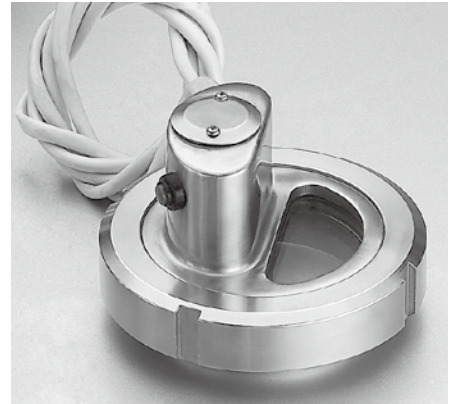
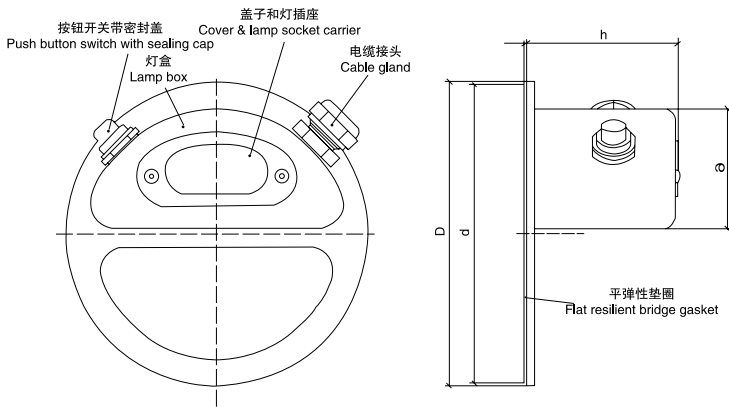
由任视镜(DIN)  
ST-V1104 Union type Sight Glass(DIN)

| Size  | H  | D1  | D   | Dn  |
|-------|----|-----|-----|-----|
| DN25  | 26 | 63  | 28  | 25  |
| DN32  | 28 | 70  | 34  | 31  |
| DN40  | 28 | 78  | 40  | 37  |
| DN50  | 30 | 92  | 52  | 49  |
| DN65  | 31 | 110 | 70  | 66  |
| DN80  | 33 | 125 | 85  | 81  |
| DN100 | 37 | 146 | 104 | 100 |
| DN125 | 38 | 178 | 129 | 125 |
| DN150 | 45 | 210 | 154 | 150 |

由任视镜(Inch)  
ST-V1105 Union type Sight Glass(Inch)

| Size   | H  | D1  | D     | Dn   |
|--------|----|-----|-------|------|
| 1"     | 23 | 54  | 25.4  | 22.4 |
| 1 1/4" | 27 | 70  | 31.8  | 28.8 |
| 1 1/2" | 29 | 72  | 38.1  | 35.1 |
| 2"     | 29 | 92  | 50.8  | 47.8 |
| 2 1/2" | 32 | 97  | 63.5  | 59.5 |
| 3"     | 31 | 111 | 76.2  | 72.2 |
| 3 1/2" | 31 | 125 | 89.0  | 85.0 |
| 4"     | 35 | 138 | 101.6 | 97.6 |

不锈钢泛光灯系列的尺寸和连接数据  
Dimensions and connecting data for stainless steel series ME

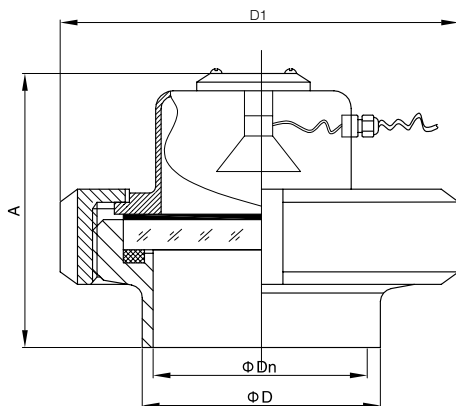


部件，材质和装配：

- 不锈钢304(1.4301)泛光灯体
- 用于制药和食品加工上表面为亚光
- 灯盒盖(2)和弹性平垫圈装在一起，暴露在外的灯插便于旋到灯盒(1)上。
- 无维修的按钮开关(5)装有独立的密封盖。
- 通过密封管电缆接头(3)到内部终端2.5mm<sup>2</sup>连接电缆。
- 供应电缆: 装有3m电缆尾端和内部连接好的电线(耐高温105到90°C)

Parts, materials and assembly:

- Luminaire body stainless steel 1.4301.
- Satin surface finish for pharmaceutical and food processing.
- Lamp box lid (2) fitted with resilient flat gasket, exposes lamp socket for easy access and screws onto lamp box (1).
- Non maintained push button switch (5) with separate sealing cap fitted as standard.
- Connection of cable through gland (3) to internal terminals 2.5 mm<sup>2</sup>.
- Supply cable; 3 m cable tail works fitted and ready wired internally (Lapptherm 105 up to 90°C).



- 订购规格: 例如，泛光灯 100/24V-50W.
- 订购时注意事项:

灯要装在现有螺纹视镜的哪个部位，槽形螺母一定要改成和泛光灯的法兰相匹配，或重新购买一个匹配的螺母。如有疑问请同供应商联系。除非特别指出，所有的尺寸单位为mm，如有变更不另行通知。

ST-V1106

| Size  | A   | D5  | D   | Dn  |
|-------|-----|-----|-----|-----|
| DN80  | 90  | 125 | 87  | 81  |
| DN100 | 100 | 146 | 106 | 100 |
| DN125 | 90  | 178 | 132 | 125 |
| DN150 | 96  | 210 | 157 | 150 |

- Ordering Specification: Example: Lumiglas luminaire ME 100/24 V – 50W.
- Important when ordering:

Where the Lumistar ME unit is to be fitted into an existing screwed sight glass, the slotted cover nut must be suitably modified to take the luminaire flange or a matching cover nut ordered – please see bore dimensions 'd8' contained in DIN 11851. If in doubt please ask supplier.



应用

Applications

该压力型人孔主要应用在食品，酿酒，饮料,制药等工业领域压力容器上。

The pressure type man hole is mainly used for pressure vessel in the fields of food, beverage, chemical, etc.

设计和特点

Design and features

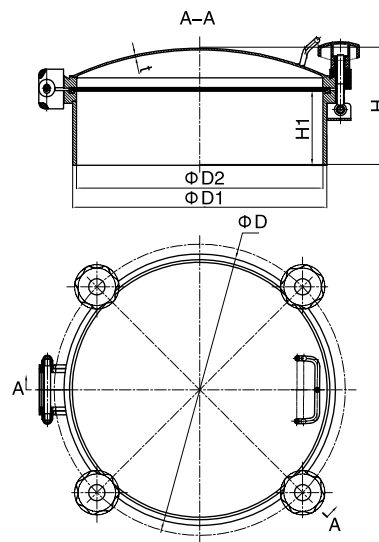
- 外开式人孔盖子
  - 塑料手轮或不锈钢手轮
  - 带法兰式窥视镜
  - 由任式窥视镜
  - 内表面: Ra≤0.8 μ m-0.5 μ m
  - 外表面: 抛光处理、亚光处理、喷砂处理
  - 最大压力: 5.0bar
  - 垫圈: EPDM、NBR、SILICON、FPM 符合 FDA177.1600
  - 高度 100, 120, 150mm
  - 材质: AISI304(1.4301)/316L(1.4404)
- Outward opening man hole cover
  - Plastic hand wheel or stainless steel hand wheel
  - Sight glass with flange
  - Union type sight glass
  - Internal surface: Ra≤0.8 μ m-0.5 μ m
  - Outside surface: polishing finished, sub-light finished, sand-blasting finished.
  - Max. pressure: 5.0bar
  - Gasket:EPDM,NBR,SILICONE,FPM in accordance with FDA177.1600
  - Height: 100,120,150mm
  - Material:AISI304(1.4301)/316 L (1.4404)



ST-V1107

| 规格   | H1  | D1  | D2  |
|------|-----|-----|-----|
| Φ200 | 100 | 200 | 194 |
| Φ220 | 100 | 220 | 214 |
| Φ300 | 100 | 300 | 294 |
| Φ350 | 100 | 350 | 344 |
| Φ400 | 100 | 400 | 394 |
| Φ430 | 100 | 430 | 424 |
| Φ450 | 100 | 450 | 444 |
| Φ500 | 100 | 500 | 494 |
| Φ600 | 100 | 600 | 594 |

高度 (H1) 可制作成120MM,150MM等; 壁厚可以制作4MM或其它的壁厚; 手轮数量也可根据客户要求改变。  
Height(H1) can be changed to 120mm, 150mm, etc. The thickness can be changed to 4mm or other sizes. The amount of handles can be changed according to request of customers





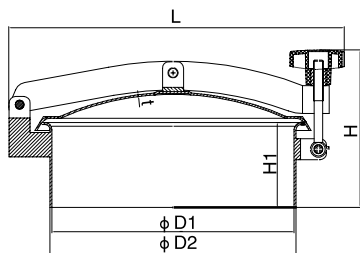
**应用**  
Applications

该人孔主要应用在食品，酿酒，饮料,制药等工业领域罐设备上。  
The Man Hole Is Mainly Used For Tanks In The Fields Of Food, Beverage, Chemical, Etc.

**设计和特点**  
Design and features



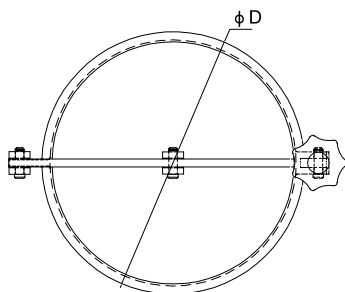
- 外开式人孔盖子
  - 塑料手轮或不锈钢手轮
  - 内表面: Ra0.8 μ m-0.5 μ m
  - 外表面: 抛光处理、亚光处理、喷砂
  - 处理最大压力: 1.0bar
  - 垫圈: EPDM、NBR、SILICON、FPM 符合FDA177.2600
  - 高度: 100、120、150mm
  - 材质: AISI304(1.4301)/316L(1.4404)
- Outward opening man hole cover
  - Plastic hand wheel or stainless steel hand wheel
  - Internal surface: Ra0.8 μ m-0.5 μ m
  - Outside surface: polishing finished, sub-light finished, sand-blasting finished.
  - Max. pressure: 5.0bar
  - Gasket: EPDM,NBR,SILICON,FPM in accordance with FDA177.2600
  - Height: 100,120,150mm
  - Material:AISI304(1.4301)/316L(1.4404)



ST-V1108

| 规格    | H1  | D1  | D2  |
|-------|-----|-----|-----|
| φ 200 | 100 | 200 | 194 |
| φ 220 | 100 | 220 | 214 |
| φ 300 | 100 | 300 | 294 |
| φ 350 | 100 | 350 | 344 |
| φ 400 | 100 | 400 | 394 |
| φ 430 | 100 | 430 | 424 |
| φ 450 | 100 | 450 | 444 |
| φ 500 | 100 | 500 | 494 |
| φ 600 | 100 | 600 | 594 |

高度 ( H1 ) 可制作成120MM,150MM等; 壁厚可根据客户要求改变;  
Height(H1) can be changed to 120mm, 150mm, etc. The thickness can be customized according to request of customers



应用

Applications

该人孔主要应用在食品，酿酒，饮料，制药等工业领域罐设备上。

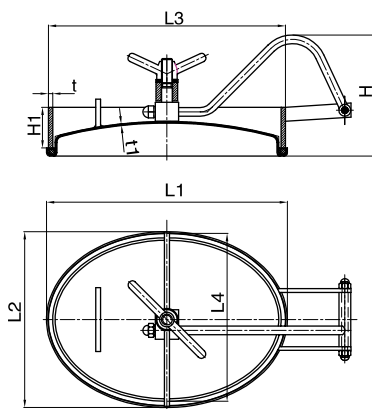
The Man Hole Is Mainly Used For Tanks In The Fields Of Food, Beverage, Chemical, Etc.

设计和特点

Design and features

- 内开式人孔盖子
- 扳手式手柄，手轮式手柄
- 内表面：Ra≤0.8 μ m-0.5 μ m
- 外表面：抛光处理、亚光处理、喷砂处理
- 最大压力：3.0bar
- 垫圈：EPDM、NBR、SILICON、FPM 符合FDA177.2600
- 度：75，100，120，150mm
- 材质：AISI304(1.4301)/316L(1.4404)

- inward opening man hole cover
- Spanner type handle, hand wheel handle
- Internal surface: Ra≤0.8 μ m-0.5 μ m
- Outside surface: polishing finished, sub-light finished, sand-blasting finished.
- Max. pressure: 3.0bar
- Gasket: EPDM、NBR、SILICON、FPM in accordance with FDA177.2600
- Height: 75, 100,120,150mm
- Material: AISI304(1.4301)/316L(1.4404)



ST-V1109

| 规格      | H1  | L3  | L4  | T    |
|---------|-----|-----|-----|------|
| 435*335 | 75  | 435 | 335 | 8.0  |
| 530*430 | 100 | 530 | 430 | 10.0 |
| 635*525 | 160 | 635 | 344 | 10.0 |

高度 (H1) 可根据客户要求; 壁厚可根据客户要求;  
Height(H1) and the thickness can be changed according to request of customers.

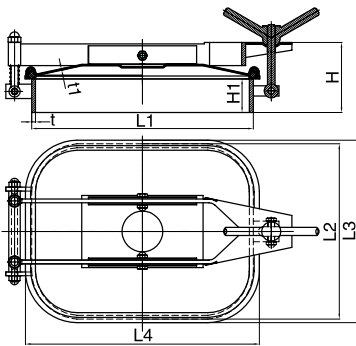


应用  
Applications

该人孔主要应用在食品，酿酒，饮料，制药等工业领域罐设备上。  
The Man Hole Is Mainly Used For Tanks In The Fields Of Food, Beverage, Chemical, Etc.

设计和特点  
Design and features

- 外开式人孔盖子
- 扳手式手柄，手轮式手柄
- 内表面：Ra≤0.8 μm-0.5 μm
- 外表面：抛光处理、亚光处理、喷砂处理
- 最大压力：1.0bar
- 垫圈：EPDM、NBR、SILICON、FPM 符合FDA177.2600
- 高度：65，80，100，120，150mm
- 材质：AISI304(1.4301)/316L(1.4404)
- Outward opening man hole cover
- Spanner type handle, hand wheel handle
- Internal surface: Ra≤0.8 μm-0.5 μm
- Outside surface: polishing finished, sub-light finished, sand-blasting finished.
- Max. pressure: 1.0bar
- Gasket: EPDM,NBR,SILICON,FPM in accordance with FDA177.1600
- Height: 65,80,100,120,150mm
- Material: AISI304(1.4301)/316L(1.4404)



ST-V1110

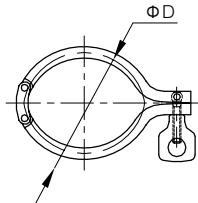
| 规格      | H1   | L1  | L2  | T   |
|---------|------|-----|-----|-----|
| 235*185 | 65.0 | 235 | 185 | 8.0 |
| 425*335 | 65.0 | 425 | 335 | 8.0 |
| 535*435 | 65.0 | 535 | 435 | 8.0 |

高度 (H1) 可根据客户要求；壁厚可根据客户要求；  
Height(H1) and the thickness can be changed according to request of customers.



尺寸：235\*185

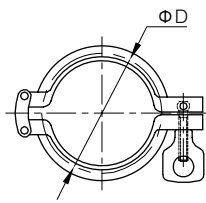
ST-F2001



双销卡箍 (13MHHM-DP)  
Double Pin Clamp(13MHHM-DP)

| Size      | D     |
|-----------|-------|
| 1/2"-3/4" | 28    |
| 1"-1 1/2" | 53.6  |
| 2"        | 67    |
| 2 1/2"    | 80.6  |
| 3"        | 94.2  |
| 3.5"      | 109.2 |
| 4"        | 122.2 |
| 4.5"      | 133.2 |
| 6"        | 170.4 |
| 8"        | 220   |
| 10"       | 272   |
| 12"       | 323   |

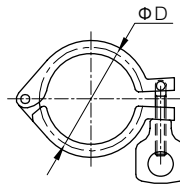
ST-F2002



双销卡箍 (13SF)  
Double Pin Clamp (13SF)

| SIZE      | D    |
|-----------|------|
| 1/2"-3/4" | 28   |
| 1"-1.5"   | 58.6 |
| 2.0"      | 72   |
| 2.5"      | 84   |
| 3.0"      | 98   |
| 4.0"      | 127  |

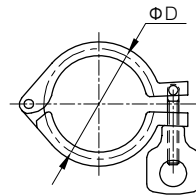
ST-F2003



重型单销卡箍 (13MHH)  
Single Pin Clamp(13MHH)

| Size      | D     |
|-----------|-------|
| 1/2"-3/4" | 28    |
| 1"-1 1/2" | 53.6  |
| 2"        | 67    |
| 2.5"      | 80.6  |
| 3"        | 94.2  |
| 3.5"      | 109.2 |
| 4"        | 122.2 |
| 4.5"      | 133.2 |
| 5"        | 149   |
| 133       | 159   |
| 6"        | 170.4 |
| 159       | 187   |
| 8"        | 220   |
| 219       | 238   |
| 10"       | 272   |
| 12"       | 323   |

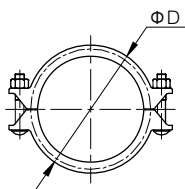
ST-F2004



重型单销卡箍 (DIN)  
Heavy Duty Clamp(DIN)

| Size    | D     |
|---------|-------|
| DN10-20 | 37    |
| DN25-40 | 53.6  |
| DN50    | 67    |
| DN65    | 94.2  |
| DN80    | 109.2 |
| DN100   | 122.2 |
| DN125   | 149   |
| DN125   | 159   |
| DN150   | 170.4 |
| DN150   | 187   |
| DN200   | 220   |
| DN200   | 238   |
| DN250   | 272   |
| DN300   | 323   |

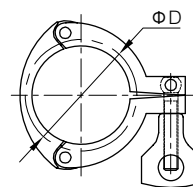
ST-F2005



高压卡箍 (13MHP)  
High-Pressure Clamp (13MHP)

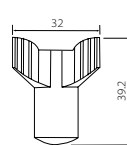
| Size      | D     |
|-----------|-------|
| 1"-1 1/2" | 53.6  |
| 2"        | 67    |
| 2 1/2"    | 80.6  |
| 3"        | 94.2  |
| 3.5"      | 109.2 |
| 4"        | 122.2 |
| 4.5"      | 133.2 |
| 6"        | 170.4 |

ST-F2006

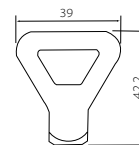


三片式卡箍 (13MHHM-3P)  
3-Pc Clamp (13MHHM-3P)

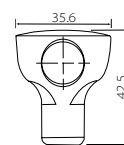
| Size      | D     |
|-----------|-------|
| 1"-1 1/2" | 53.9  |
| 2"        | 67.4  |
| 2 1/2"    | 80.9  |
| 3"        | 94.4  |
| 3.5"      | 109.2 |
| 4"        | 122.4 |
| 4.5"      | 133.2 |
| 6"        | 170.4 |



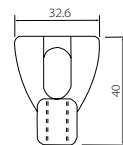
Nut-1



Nut-2



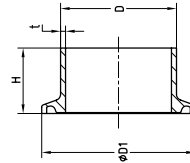
Nut-3



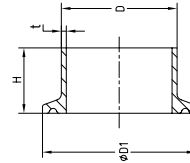
Nut-4



ST-F2007



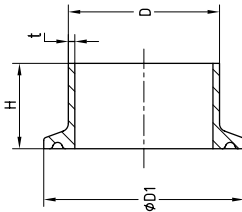
ST-F2008



3A 卡箍接头  
3A Ferrule

| Size   | D     | D1    | H     |       |       | t    |
|--------|-------|-------|-------|-------|-------|------|
|        |       |       | 14WMP | 14MMP | 14AMP |      |
| 1/2"   | 12.7  | 25.4  | 12.7  | 21.5  | 28.6  | 1.65 |
| 3/4"   | 19.1  | 25.4  | 12.7  | 21.5  | 28.6  | 1.65 |
| 1"     | 25.4  | 50.5  | 12.7  | 21.5  | 28.6  | 1.65 |
| 1 1/2" | 38.1  | 50.5  | 12.7  | 21.5  | 28.6  | 1.65 |
| 2"     | 50.8  | 64    | 12.7  | 21.5  | 28.6  | 1.65 |
| 2 1/2" | 63.5  | 77.5  | 12.7  | 21.5  | 28.6  | 1.65 |
| 3"     | 76.2  | 91    | 12.7  | 21.5  | 28.6  | 1.65 |
| 4"     | 101.6 | 119   | 15.8  | 21.5  | 28.6  | 2.11 |
| 6"     | 152.4 | 167   | 22.2  | 21.5  | 38.1  | 2.80 |
| 8"     | 203.2 | 217.4 | 22.2  | 21.5  | 38.1  | 2.80 |
| 10"    | 254   | 268   | 22.2  | 21.5  | 38.1  | 3.50 |
| 12"    | 304.8 | 319   | 22.2  | 21.5  | 38.1  | 3.50 |

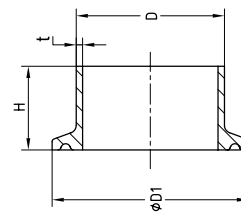
ST-F2009



卡箍接头 BS SCH5 SCH10  
Ferrule BS SCH5 SCH10

| Size   | D      | D1    | H    | Sch  |       |
|--------|--------|-------|------|------|-------|
|        |        |       |      | Sch5 | Sch10 |
| 1/2"   | 21.34  | 50.5  | 21.5 | 1.65 | 2.11  |
| 3/4"   | 26.67  | 50.5  | 21.5 | 1.65 | 2.11  |
| 1"     | 33.4   | 50.5  | 21.5 | 1.65 | 2.77  |
| 1 1/4" | 42.16  | 64    | 21.5 | 1.65 | 2.77  |
| 1 1/2" | 48.26  | 64    | 21.5 | 1.65 | 2.77  |
| 2"     | 60.33  | 77.5  | 21.5 | 1.65 | 2.77  |
| 2 1/2" | 73.03  | 91    | 21.5 | 2.11 | 3.18  |
| 3"     | 88.9   | 106   | 21.5 | 2.11 | 3.18  |
| 3 1/2" | 101.6  | 119   | 21.5 | 2.11 | 3.18  |
| 4"     | 114.3  | 130   | 28   | 2.11 | 3.18  |
| 5"     | 141.3  | 155   | 28   | 2.11 | 3.40  |
| 6"     | 168.28 | 183   | 28   | 2.11 | 3.40  |
| 8"     | 219.09 | 233.5 | 28   | 2.11 | 3.76  |
| 10"    | 273.05 | 286   | 28   | 3.40 | 4.19  |

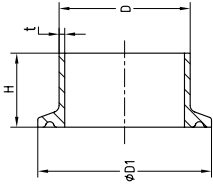
ST-F2010



DIN 卡箍接头  
DIN Ferrule

| Size  | D   |    | D1    | H    | t   |     |
|-------|-----|----|-------|------|-----|-----|
|       | 1   | 2  |       |      | 1   | 2   |
| DN10  | 12  | 13 | 34    | 18   | 1.5 | 1.5 |
| DN15  | 18  | 19 | 34    | 18   | 1.5 | 1.5 |
| DN20  | 22  | 23 | 34    | 18   | 1.5 | 1.5 |
| DN25  | 28  | 29 | 50.5  | 21.5 | 1.5 | 1.5 |
| DN32  | 34  | 35 | 50.5  | 21.5 | 1.5 | 1.5 |
| DN40  | 40  | 41 | 50.5  | 21.5 | 1.5 | 1.5 |
| DN50  | 52  | 53 | 64    | 21.5 | 1.5 | 1.5 |
| DN65  | 70  | -  | 91    | 28   | -   | 2   |
| DN80  | 85  | -  | 106   | 28   | -   | 2   |
| DN100 | 104 | -  | 119   | 28   | -   | 2   |
| DN125 | 129 | -  | 144.5 | 28   | -   | 2   |
| DN125 | 129 | -  | 155   | 28   | -   | 2   |
| DN150 | 154 | -  | 167   | 28   | -   | 2   |
| DN150 | 154 | -  | 183   | 28   | -   | 2   |
| DN200 | 204 | -  | 217.4 | 28   | -   | 2   |
| DN200 | 204 | -  | 233.5 | 28   | -   | 2   |
| DN250 | 254 | -  | 268   | 28   | -   | 2   |
| DN300 | 304 | -  | 319   | 28   | -   | 2   |

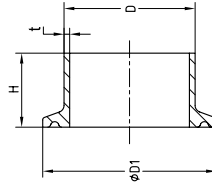
ST-F2011



ISO IDF 卡箍接头  
ISO IDF Ferrule

| Size   | D     | D1      | H    | t       |
|--------|-------|---------|------|---------|
| 1/2"   | 12.7  | 25.4    | 21.5 | 1.5/1.0 |
| 3/4"   | 19.1  | 25.4    | 21.5 | 1.5/1.0 |
| 1"     | 25.4  | 50.5    | 21.5 | 1.5/1.2 |
| 1 1/4" | 31.8  | 50.5    | 21.5 | 1.5/1.2 |
| 1 1/2" | 38.1  | 50.5    | 21.5 | 1.5/1.2 |
| 45     | 45    | 64      | 21.5 | 1.5     |
| 2"     | 50.8  | 64      | 21.5 | 1.5     |
| 57     | 57    | 77.5    | 21.5 | 2.0     |
| 2 1/2" | 63.5  | 77.5    | 21.5 | 2.0     |
| 3"     | 76.2  | 91      | 21.5 | 2.0     |
| 3 1/2" | 89    | 106     | 21.5 | 2.0     |
| 4"     | 101.6 | 119     | 21.5 | 2.0     |
| 108    | 108   | 119/130 | 21.5 | 2.0     |
| 114.3  | 114.3 | 130     | 21.5 | 2.0     |
| 133    | 133   | 155     | 28   | 2.0     |
| 159    | 159   | 183     | 28   | 3.0     |
| 204    | 204   | 217.4   | 28   | 2.0     |
| 219    | 219   | 233.5   | 28   | 3.0     |
| 254    | 254   | 268     | 28   | 2.0     |
| 304    | 304   | 319     | 28   | 2.0     |

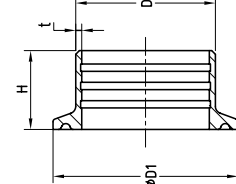
ST-F2012



ISO1127 卡箍接头  
ISO1127 Ferrule

| Size  | D     | D1    | H    | t   |
|-------|-------|-------|------|-----|
| 21.3  | 21.3  | 50.5  | 21.5 | 1.6 |
| 26.9  | 26.6  | 50.5  | 21.5 | 1.6 |
| 33.7  | 33.7  | 50.5  | 21.5 | 2.0 |
| 42.4  | 42.4  | 64    | 21.5 | 2.0 |
| 48.3  | 48.3  | 64    | 21.5 | 2.0 |
| 60.3  | 60.3  | 77.5  | 21.5 | 2.0 |
| 76.2  | 76.1  | 91    | 21.5 | 2.0 |
| 88.9  | 88.9  | 106   | 28   | 2.0 |
| 114.3 | 114.3 | 130   | 28   | 2.0 |
| 139.7 | 139.7 | 155   | 28.0 | 2.0 |
| 168.3 | 168.3 | 183   | 28.0 | 3.6 |
| 219.1 | 219.1 | 233.5 | 28.0 | 3.6 |

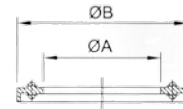
ST-F2013



3A 扩展式快装接头  
3A Expanding Ferrule

| Size   | D    | D1   | H    |
|--------|------|------|------|
| 1"     | 29.5 | 50.5 | 19.1 |
| 1 1/2" | 42.5 | 50.5 | 28.6 |
| 2"     | 55.7 | 64   | 33.3 |
| 2 1/2" | 68.8 | 77.5 | 34.9 |
| 3"     | 82   | 91   | 36.5 |
| 4"     | 108  | 119  | 38.1 |

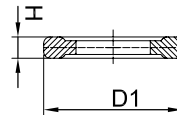
ST-F2017



带唇垫圈  
Lipped gasket

| Size | A    | B     |
|------|------|-------|
| 1.0" | 22.8 | 52.7  |
| 1.5" | 35.8 | 52.7  |
| 2.0" | 48.8 | 66.2  |
| 2.5" | 60.5 | 79.7  |
| 3.0" | 73.1 | 93.2  |
| 4.0" | 97.8 | 121.2 |
| 6.0" | 148  | 169.1 |
| 10"  | 249  | 270.7 |
| 12"  | 300  | 321.5 |

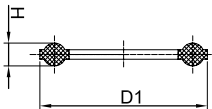
ST-F2016



3A 卡箍垫圈  
3A Ferrule Gasket

| Size | D1   | H |
|------|------|---|
| 1/2" | 20.3 | 5 |
| 3/4" | 20.3 | 5 |

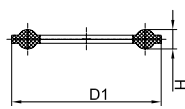
ST-F2014



INCH 卡箍密封圈  
INCH Gasket

| Size   | D1    | H   |
|--------|-------|-----|
| 1"     | 50.5  | 5   |
| 1 1/2" | 50.5  | 5   |
| 2"     | 64    | 5.5 |
| 2 1/2" | 77.5  | 5.5 |
| 3"     | 91    | 5.5 |
| 3 1/2" | 106   | 5.5 |
| 4"     | 119   | 5.5 |
| 4 1/2" | 130   | 5.5 |
| 5"     | 144.5 | 5.5 |
| φ 133  | 155   | 5.5 |
| 6"     | 167   | 5.5 |
| φ 159  | 183   | 5.5 |
| 8"     | 217.4 | 5.5 |
| φ 219  | 233.5 | 5.5 |
| 10"    | 268   | 5.5 |
| 12"    | 319   | 5.5 |

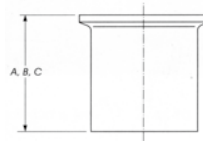
ST-F2015



DIN 卡箍密封圈  
DIN Gasket

| Size  | D1    | H   |
|-------|-------|-----|
| DN10  | 34    | 5   |
| DN15  | 34    | 5   |
| DN20  | 34    | 5   |
| DN25  | 50.5  | 5   |
| DN32  | 50.5  | 5   |
| DN40  | 50.5  | 5   |
| DN50  | 64    | 5.5 |
| DN65  | 91    | 5.5 |
| DN80  | 106   | 5.5 |
| DN100 | 119   | 5.5 |
| DN125 | 144.5 | 5.5 |
| DN125 | 155   | 5.5 |
| DN150 | 167   | 5.5 |
| DN150 | 183   | 5.5 |
| DN200 | 217.4 | 5.5 |
| DN200 | 233.5 | 5.5 |
| DN250 | 268   | 5.5 |
| DN300 | 319   | 5.5 |

ST-F2170



BPE 卡箍接头  
BPE Ferrule

| Size   | A     |      | B     |      | C     |      |
|--------|-------|------|-------|------|-------|------|
|        | in.   | mm   | in.   | mm   | in.   | mm   |
| 1/4"   | 1.750 | 44.5 | 1.130 | 28.7 | 0.500 | 12.7 |
| 3/8"   | 1.750 | 44.5 | 1.130 | 28.7 | 0.500 | 12.7 |
| 1/2"   | 1.750 | 44.5 | 1.130 | 28.7 | 0.500 | 12.7 |
| 3/4"   | 1.750 | 44.5 | 1.130 | 28.7 | 0.500 | 12.7 |
| 1"     | 1.750 | 44.5 | 1.130 | 28.7 | 0.500 | 12.7 |
| 1 1/2" | 1.750 | 44.5 | 1.130 | 28.7 | 0.500 | 12.7 |
| 2"     | 2.250 | 57.2 | 1.130 | 28.7 | 0.500 | 12.7 |
| 2 1/2" | 2.250 | 57.2 | 1.130 | 28.7 | 0.500 | 12.7 |
| 3"     | 2.250 | 57.2 | 1.130 | 28.7 | 0.500 | 12.7 |
| 4"     | 2.250 | 57.2 | 1.130 | 28.7 | 0.625 | 15.9 |
| 6"     | 3.000 | 76.2 | 1.500 | 38.1 | 0.750 | 19.1 |

I-Line系列卡箍管件是食品，酿酒，油品，水处理等工程较为理想的选择，该系列卡箍管件优势在于压力高，抗震动强，能承受较高温度，拆装简单方便，并且达到卫生要求。

尺寸规格: 1"~8"

材质:ASTM 304/316L

表面处理:180Grit/300Grit

垫圈可选择: EPDM FPM NBR常用垫圈Silicon

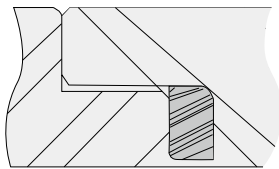
I-Line series clamp pipe fittings are ideal for food, wine making, oil products, water treatment etc. Their advantages include high pressure, strong resistance to shock and high temperature, simple assembly and disassembly, reaching sanitary requirements.

Size: 1"~8"

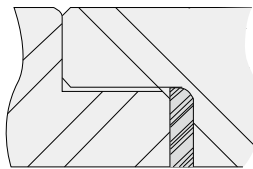
Material:ASTM 304/316L

Surface treatment:180Grit/300Grit

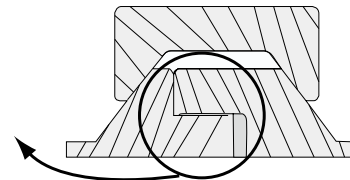
Optional gaskets: EPDM FPM NBR,Common gasket Silicon



未卡紧状态  
Decompressed



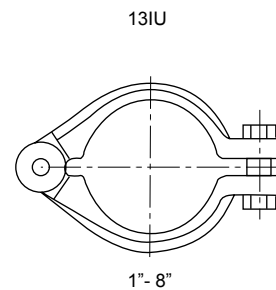
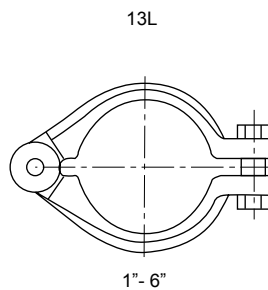
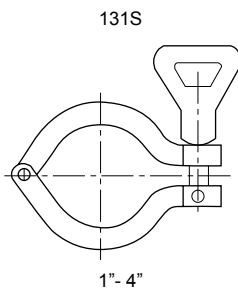
卡紧后状态  
Compressed



卡紧后金属面完全接触防止了过分卡紧垫圈被挤进管道内部

The gasket is compressed metal to metal design stops gasket from extruding to the bore line.

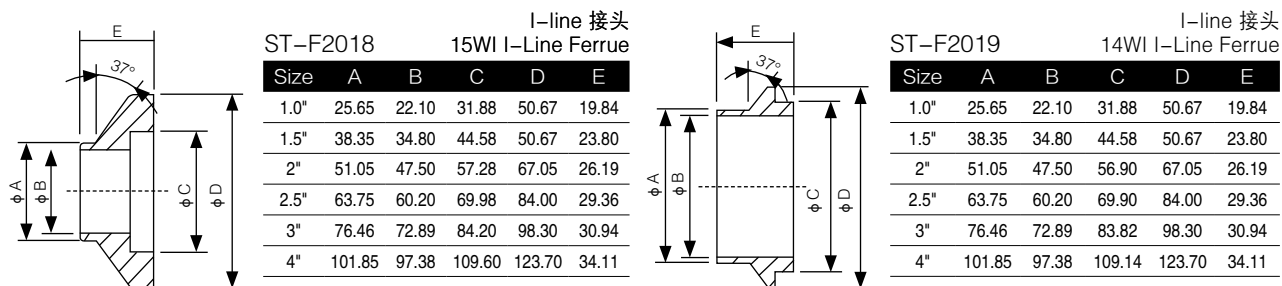
## I-LINE 卡箍 I-LINE CLAMPS



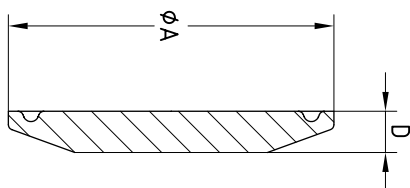
Pressure Ratings:i-Line Clamped Unions  
P.S.I Service Rating

| Tube O.D<br>Clamp | Temp   | 1"   | 1 1/2" | 2"  | 2 1/2" | 3"  | 4"  | 6"  |
|-------------------|--------|------|--------|-----|--------|-----|-----|-----|
| Heavy Duty        | @ 70 F | 1220 | 1220   | 900 | 720    | 600 | 570 | 150 |
| 13I,13IU&13IS     | @250oF | 1100 | 1100   | 830 | 660    | 550 | 525 | 75  |





## 卡箍堵头 END CAP



### ST-F2020

DIN 盲板  
DIN Solid End Cap

| Size  | A     | D    |
|-------|-------|------|
| DN15  | 34.0  | 5.0  |
| DN20  | 34.0  | 5.0  |
| DN25  | 50.5  | 6.3  |
| DN32  | 50.5  | 6.3  |
| DN40  | 50.5  | 6.3  |
| DN50  | 64.0  | 6.3  |
| DN65  | 91.0  | 6.3  |
| DN80  | 106.0 | 7.9  |
| DN100 | 119.0 | 7.9  |
| DN125 | 144.5 | 10.5 |
| DN125 | 155.0 | 10.5 |
| DN150 | 167.0 | 10.5 |
| DN150 | 183   | 10.5 |
| DN200 | 217.4 | 11.1 |
| DN200 | 233.5 | 11.1 |

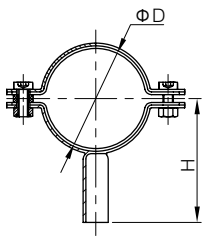
### ST-F2021

3A 盲板 - 16AMP  
3A Solid End Cap

| Size      | A     | D    |
|-----------|-------|------|
| 1/2"-3/4" | 25.4  | 6.3  |
| 1"-1.5"   | 50.5  | 6.3  |
| 2"        | 64.0  | 6.3  |
| 2.5"      | 77.5  | 6.3  |
| 3"        | 91.0  | 6.3  |
| 4"        | 119.0 | 7.9  |
| 6"        | 166.8 | 11.1 |
| 8"        | 217.4 | 11.1 |
| 10"       | 268   | 11.1 |
| 12"       | 319   | 11.1 |

## 卫生级管支架系列 SANITARY PIPE HOLDERS

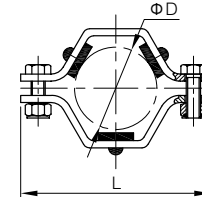
ST-F2023



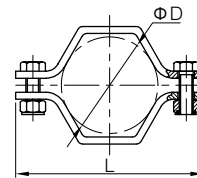
圆形管支架  
Bolt Round Pipe Holder

| Size   | D     | H     |
|--------|-------|-------|
| 1/2"   | 12.7  | 58.4  |
| 3/4"   | 19.1  | 62.5  |
| 1"     | 25.4  | 65.7  |
| 1 1/2" | 38.1  | 72    |
| 2"     | 50.8  | 78.4  |
| 2 1/2" | 63.5  | 84.8  |
| 3"     | 76.2  | 91    |
| 4"     | 101.6 | 103.8 |
| 5"     | 129   | 117.5 |
| 6"     | 154   | 130   |
| 8"     | 204   | 155   |
| 10"    | 254   | 180   |
| 12"    | 304   | 205   |

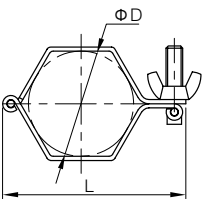
ST-F2027



ST-F2028



ST-F2024



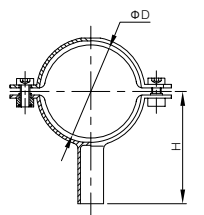
六角型管支架  
Hexagon Pipe Holder

| Size   | D     | L     | H   |
|--------|-------|-------|-----|
| 1"     | 25.4  | 87    | 28  |
| 1 1/2" | 38.1  | 101.6 | 40  |
| 2"     | 50.8  | 114.3 | 52  |
| 2 1/2" | 63.5  | 120.6 | 66  |
| 3"     | 76.2  | 139.7 | 77  |
| 4"     | 101.6 | 171.4 | 104 |

六角型管支架  
Hexagon Pipe Holder

| Size   | D     | L     |
|--------|-------|-------|
| 1"     | 25.4  | 87    |
| 1 1/2" | 38.1  | 101.6 |
| 2"     | 50.8  | 114.3 |
| 2 1/2" | 63.5  | 120.6 |
| 3"     | 76.2  | 139.7 |
| 4"     | 101.6 | 171.4 |

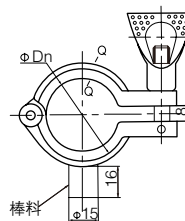
ST-F2025



圆形管支架  
Bolt Round Pipe Holder

| Size   | D     | L   |
|--------|-------|-----|
| 1"     | 25.4  | 61  |
| 1 1/2" | 38.1  | 76  |
| 2"     | 50.8  | 90  |
| 2 1/2" | 63.5  | 106 |
| 3"     | 76.2  | 120 |
| 4"     | 101.6 | 146 |

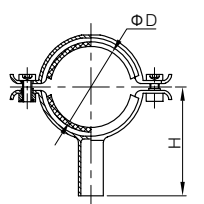
ST-F2029



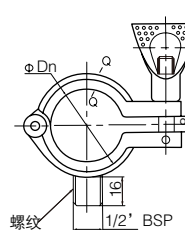
重型管支架  
Heavy Duty Pipe Holder

| Size   | D     |
|--------|-------|
| 1"     | 25.4  |
| 1 1/4" | 31.8  |
| 1 1/2" | 38.1  |
| 2"     | 50.8  |
| 2 1/2" | 63.5  |
| 3"     | 76.2  |
| 3 1/2" | 89    |
| 4"     | 101.6 |

ST-F2026

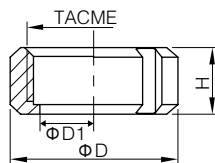


ST-F2030



# SMS 由任 SMS UNION

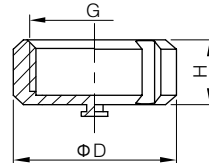
ST-F2031



圆螺母 (推荐系列)  
Round Nut(Recommended Series)

| Size   | D   | D1    | G           | H  |
|--------|-----|-------|-------------|----|
| ø25    | 50  | 32    | Rd40 × 1/6  | 20 |
| ø32    | 60  | 40    | Rd48 × 1/6  | 21 |
| ø38    | 72  | 51    | Rd60 × 1/6  | 22 |
| ø51    | 82  | 60.5  | Rd70 × 1/6  | 23 |
| ø63    | 98  | 75    | Rd85 × 1/6  | 26 |
| ø76    | 112 | 86    | Rd98 × 1/6  | 27 |
| ø89    | 125 | 100   | Rd110 × 1/6 | 28 |
| ø102 小 | 140 | 113   | Rd125 × 1/6 | 30 |
| ø102 大 | 148 | 120.5 | Rd132 × 1/6 | 31 |

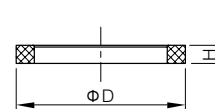
ST-F2032



盲螺母 (推荐系列)  
Blind Nut(Recommended Series)

| Size   | D   | G           | H  |
|--------|-----|-------------|----|
| ø25    | 50  | Rd40 × 1/6  | 20 |
| ø32    | 60  | Rd48 × 1/6  | 21 |
| ø38    | 72  | Rd60 × 1/6  | 22 |
| ø51    | 82  | Rd70 × 1/6  | 23 |
| ø63    | 98  | Rd85 × 1/6  | 26 |
| ø76    | 112 | Rd98 × 1/6  | 27 |
| ø89    | 125 | Rd110 × 1/6 | 28 |
| ø102 小 | 140 | Rd125 × 1/6 | 30 |
| ø102 大 | 148 | Rd132 × 1/6 | 31 |

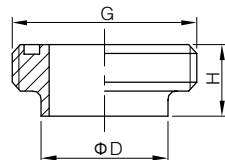
ST-F2033



垫圈  
Gasket

| Size | D1   | H   |
|------|------|-----|
| ø25  | 31.8 | 5.5 |
| ø32  | 40   | 5.5 |
| ø38  | 48   | 5.5 |
| ø51  | 61   | 5.5 |
| ø63  | 73   | 5.5 |
| ø76  | 86   | 6   |
| ø89  | 98   | 6   |
| ø102 | 114  | 6   |

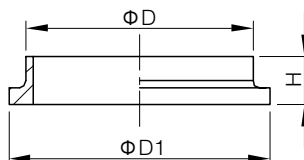
ST-F2034



螺纹接头 (推荐系列)  
Male (Recommended Series)

| Size     | D     | G           | H  |
|----------|-------|-------------|----|
| ø25      | 25.4  | Rd40 × 1/6  | 18 |
| ø32      | 31.8  | Rd48 × 1/6  | 19 |
| ø38      | 38.1  | Rd60 × 1/6  | 21 |
| ø51      | 50.8  | Rd70 × 1/6  | 21 |
| ø63      | 63.5  | Rd85 × 1/6  | 24 |
| ø76      | 76.2  | Rd98 × 1/6  | 24 |
| ø89      | 89    | Rd105 × 1/6 | 24 |
| ø102 min | 101.6 | Rd125 × 1/4 | 27 |
| ø102 max | 101.6 | Rd132 × 1/6 | 30 |

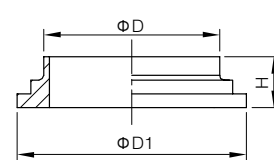
ST-F2035



平接头 (圆弧型)  
Circular Liner

| Size     | D     | D1    | H  |
|----------|-------|-------|----|
| ø25      | 25.4  | 35.5  | 14 |
| ø32      | 31.8  | 43.5  | 14 |
| ø38      | 38.1  | 55.5  | 14 |
| ø51      | 50.8  | 65.5  | 15 |
| ø63      | 63.5  | 80    | 15 |
| ø76      | 76.2  | 90    | 16 |
| ø89      | 89    | 105   | 16 |
| ø102 min | 101.6 | 118   | 17 |
| ø102 max | 101.6 | 127.5 | 19 |

ST-F2036

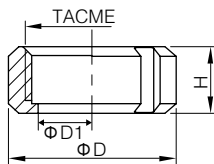


平接头 (台阶型)  
Stepped Liner

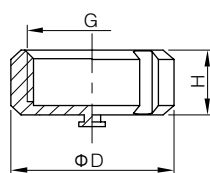
| Size     | D     | D1    | H  |
|----------|-------|-------|----|
| ø25      | 25.4  | 35.5  | 14 |
| ø32      | 31.8  | 43.5  | 14 |
| ø38      | 38.1  | 55.5  | 14 |
| ø51      | 50.8  | 65.5  | 15 |
| ø63      | 63.5  | 80.5  | 15 |
| ø76      | 76.2  | 90    | 16 |
| ø89      | 89    | 105   | 16 |
| ø102 min | 101.6 | 118   | 17 |
| ø102 max | 101.6 | 127.5 | 19 |

SMS 由任  
SMS UNION

ST-F2037



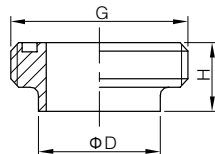
ST-F2038



长型圆螺母 / 盲螺母 (可带链条)  
Long Round Nut / Blind Nut (With or Without Chain)

| Size   | D   | G           | H  |
|--------|-----|-------------|----|
| ø25    | 51  | Rd40 × 1/6  | 20 |
| ø38    | 74  | Rd60 × 1/6  | 25 |
| ø51    | 84  | Rd70 × 1/6  | 26 |
| ø63    | 100 | Rd85 × 1/6  | 30 |
| ø76    | 114 | Rd98 × 1/6  | 32 |
| ø102 小 | 140 | Rd125 × 1/6 | 32 |
| ø102 大 | 154 | Rd132 × 1/6 | 45 |

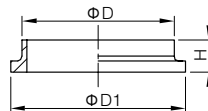
ST-F2039



长型螺纹接头  
Long Male

| Size   | D     | G           | H  |
|--------|-------|-------------|----|
| ø25    | 25.4  | Rd40 × 1/6  | 19 |
| ø38    | 38.1  | Rd60 × 1/6  | 23 |
| ø51    | 50.8  | Rd70 × 1/6  | 23 |
| ø63    | 63.5  | Rd85 × 1/6  | 27 |
| ø76    | 76.2  | Rd98 × 1/6  | 27 |
| ø102 小 | 101.6 | Rd125 × 1/6 | 30 |
| ø102 大 | 101.6 | Rd132 × 1/6 | 35 |

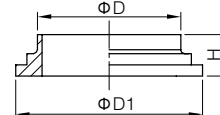
ST-F2040



长型平接头 (圆弧型)  
Long Circular Liner

| Size   | D     | D1    | H    |
|--------|-------|-------|------|
| ø25    | 25.4  | 35.5  | 15.5 |
| ø38    | 38.1  | 55.5  | 16   |
| ø51    | 50.8  | 65.5  | 17   |
| ø63    | 63.5  | 80    | 17   |
| ø76    | 76.2  | 93    | 19   |
| ø102 小 | 101.6 | 118   | 19   |
| ø102 大 | 101.6 | 127.5 | 19   |

ST-F2041



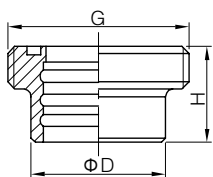
长型平接头 (台阶型)  
Long Stepped Liner

| Size   | D     | D1    | H    |
|--------|-------|-------|------|
| ø25    | 25.4  | 35.5  | 15.5 |
| ø38    | 38.1  | 55.5  | 16   |
| ø51    | 50.8  | 65.5  | 17   |
| ø63    | 63.5  | 80.5  | 17   |
| ø76    | 76.2  | 93.5  | 19   |
| ø102 小 | 101.6 | 118   | 19   |
| ø102 大 | 101.6 | 127.5 | 19   |

ST-F2042

膨胀式螺纹接头  
Expanded Male

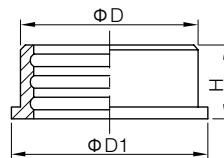
| Size   | D     | G           | H  |
|--------|-------|-------------|----|
| ø25    | 25.6  | Rd40 × 1/6  | 20 |
| ø32    | 32.2  | Rd48 × 1/6  | 20 |
| ø38    | 38.2  | Rd60 × 1/6  | 23 |
| ø51    | 51.2  | Rd70 × 1/6  | 25 |
| ø63    | 63.7  | Rd85 × 1/6  | 30 |
| ø76    | 76.4  | Rd98 × 1/6  | 35 |
| ø102 小 | 101.8 | Rd125 × 1/6 | 30 |
| ø102 大 | 104.2 | Rd132 × 1/6 | 30 |



ST-F2043

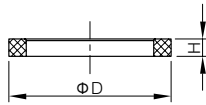
膨胀式平接头  
Expanded Liner

| Size   | D     | D1   | H  |
|--------|-------|------|----|
| ø25    | 32    | 35.5 | 17 |
| ø32    | 40    | 43.5 | 17 |
| ø38    | 47.9  | 55   | 20 |
| ø51    | 60.4  | 65   | 20 |
| ø63    | 73.5  | 80   | 25 |
| ø76    | 86.5  | 93   | 30 |
| ø102 小 | 112.5 | 118  | 27 |
| ø102 大 | 112.5 | 118  | 27 |



DIN 由任  
DIN UNION

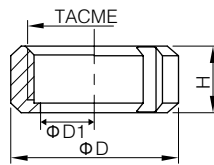
ST-F2044



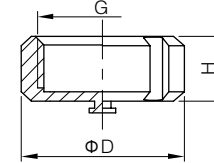
DIN 由任垫圈  
DIN Union Gasket

| Size  | D1  | H |
|-------|-----|---|
| DN10  | 20  | 4 |
| DN15  | 26  | 5 |
| DN20  | 33  | 5 |
| DN25  | 40  | 5 |
| DN32  | 46  | 5 |
| DN40  | 52  | 5 |
| DN50  | 64  | 5 |
| DN65  | 81  | 5 |
| DN80  | 95  | 5 |
| DN100 | 114 | 5 |
| DN125 | 142 | 6 |
| DN150 | 167 | 6 |

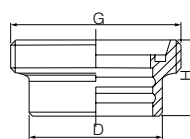
ST-F2045



ST-F2046



ST-F2047



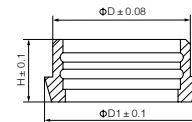
DIN 扩展式螺纹接头  
DIN Expanded Male

| Size  | D   | G           | H  |
|-------|-----|-------------|----|
| DN25  | 35  | Rd52 x 1/6  | 29 |
| DN32  | 41  | Rd58 x 1/6  | 32 |
| DN40  | 48  | Rd65 x 1/6  | 33 |
| DN50  | 61  | Rd78 x 1/6  | 35 |
| DN65  | 79  | Rd95 x 1/6  | 40 |
| DN80  | 93  | Rd110 x 1/4 | 45 |
| DN100 | 114 | Rd130 x 1/4 | 54 |

DIN 圆螺母  
DIN Round Nut

| Size  | DN  | D   | G           | H  |
|-------|-----|-----|-------------|----|
| DN10  | 19  | 38  | Rd28 x 1/8  | 18 |
| DN15  | 25  | 44  | Rd34 x 1/8  | 18 |
| DN20  | 31  | 54  | Rd44 x 1/6  | 20 |
| DN25  | 36  | 62  | Rd52 x 1/6  | 21 |
| DN32  | 42  | 70  | Rd58 x 1/6  | 21 |
| DN40  | 49  | 77  | Rd65 x 1/6  | 21 |
| DN50  | 62  | 91  | Rd78 x 1/6  | 22 |
| DN65  | 80  | 112 | Rd95 x 1/6  | 25 |
| DN80  | 94  | 125 | Rd110 x 1/4 | 27 |
| DN100 | 115 | 147 | Rd130 x 1/4 | 29 |
| DN125 | 138 | 178 | Rd160 x 1/4 | 32 |
| DN150 | 164 | 208 | Rd190 x 1/4 | 34 |

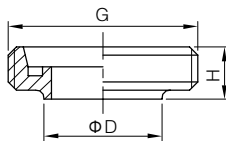
ST-F2048



DIN 扩展式平接头  
DIN Expanded Liner

| Size  | D   | D1  | H  |
|-------|-----|-----|----|
| DN25  | 35  | 44  | 22 |
| DN32  | 41  | 50  | 25 |
| DN40  | 48  | 56  | 26 |
| DN50  | 61  | 68  | 28 |
| DN65  | 79  | 86  | 32 |
| DN80  | 93  | 100 | 37 |
| DN100 | 114 | 121 | 44 |

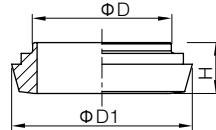
ST-F2049



DIN 短螺纹接头  
DIN Short Male

| Size  | D     | G           | H  |
|-------|-------|-------------|----|
| DN15  | 18/19 | Rd34 x 1/8  | 17 |
| DN20  | 22/23 | Rd44 x 1/6  | 19 |
| DN25  | 28/29 | Rd52 x 1/6  | 22 |
| DN32  | 34/35 | Rd58 x 1/6  | 23 |
| DN40  | 40/41 | Rd65 x 1/6  | 21 |
| DN50  | 52/53 | Rd78 x 1/6  | 22 |
| DN65  | 70    | Rd95 x 1/6  | 25 |
| DN80  | 85    | Rd110 x 1/4 | 25 |
| DN100 | 104   | Rd130 x 1/4 | 30 |
| DN125 | 129   | Rd160 x 1/4 | 33 |
| DN150 | 154   | Rd190 x 1/4 | 35 |

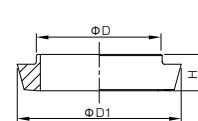
ST-F2050



DIN 短型台阶平接头  
DIN Short Stepped Liner

| Size  | D     | D1  | H  |
|-------|-------|-----|----|
| DN15  | 18/19 | 28  | 13 |
| DN20  | 22/23 | 36  | 15 |
| DN25  | 28/29 | 44  | 17 |
| DN32  | 34/35 | 50  | 17 |
| DN40  | 40/41 | 56  | 19 |
| DN50  | 52/53 | 68  | 20 |
| DN65  | 70    | 86  | 20 |
| DN80  | 85    | 100 | 23 |
| DN100 | 104   | 121 | 26 |
| DN125 | 129   | 150 | 33 |
| DN150 | 154   | 176 | 34 |

ST-F2051

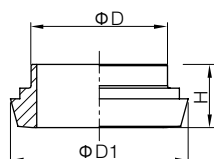


DIN 短型平接头  
DIN Short Liner

| Size  | D     | D1  | H    |
|-------|-------|-----|------|
| DN10  | 12/13 | 22  | 13   |
| DN15  | 18/19 | 28  | 13   |
| DN20  | 22/23 | 36  | 13   |
| DN25  | 28/29 | 44  | 15.5 |
| DN32  | 34/35 | 50  | 16   |
| DN40  | 40/41 | 56  | 16   |
| DN50  | 52/53 | 68  | 17   |
| DN65  | 70    | 86  | 18   |
| DN80  | 85    | 100 | 17   |
| DN100 | 104   | 121 | 21   |
| DN125 | 129   | 150 | 25   |
| DN150 | 154   | 176 | 30   |

## DIN 由任 DIN UNION

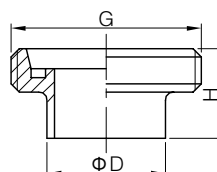
ST-F2052



DIN11851 长厚型平接头  
DIN11851 Long Liner

| Size  | D   | D1  | H  |
|-------|-----|-----|----|
| DN10  | 15  | 22  | 17 |
| DN15  | 21  | 28  | 17 |
| DN20  | 25  | 36  | 18 |
| DN25  | 31  | 44  | 22 |
| DN32  | 37  | 50  | 25 |
| DN40  | 43  | 56  | 26 |
| DN50  | 55  | 68  | 28 |
| DN65  | 72  | 86  | 32 |
| DN80  | 87  | 100 | 37 |
| DN100 | 106 | 121 | 44 |
| DN125 | 132 | 150 | 34 |
| DN150 | 157 | 176 | 37 |

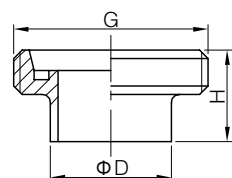
ST-F2053



DIN11851 长厚型螺纹接头  
DIN11851 Long male

| Size  | D   | G           | H  |
|-------|-----|-------------|----|
| DN10  | 15  | Rd28 × 1/8  | 21 |
| DN15  | 21  | Rd34 × 1/8  | 21 |
| DN20  | 25  | Rd44 × 1/6  | 24 |
| DN25  | 31  | Rd52 × 1/6  | 29 |
| DN32  | 37  | Rd58 × 1/6  | 32 |
| DN40  | 43  | Rd65 × 1/6  | 33 |
| DN50  | 55  | Rd78 × 1/6  | 35 |
| DN65  | 72  | Rd95 × 1/6  | 40 |
| DN80  | 87  | Rd110 × 1/4 | 45 |
| DN100 | 106 | Rd130 × 1/4 | 54 |
| DN125 | 132 | Rd160 × 1/4 | 46 |
| DN150 | 157 | Rd190 × 1/4 | 50 |

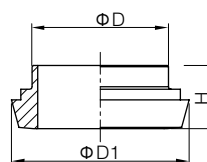
ST-F2054



DIN11850 系列 1&2 长型螺纹接头  
DIN11850 Series 1&2 Long male

| Size  | D  |     |     | G           | H  |
|-------|----|-----|-----|-------------|----|
|       | 1  | 2   | t   |             |    |
| DN10  | 12 | 13  | 1.5 | Rd28 × 1/8  | 21 |
| DN15  | 18 | 19  | 1.5 | Rd34 × 1/8  | 21 |
| DN20  | 22 | 23  | 1.5 | Rd44 × 1/6  | 24 |
| DN25  | 28 | 29  | 1.5 | Rd52 × 1/6  | 29 |
| DN32  | 34 | 35  | 1.5 | Rd58 × 1/6  | 32 |
| DN40  | 40 | 41  | 1.5 | Rd65 × 1/6  | 33 |
| DN50  | 52 | 53  | 1.5 | Rd78 × 1/6  | 35 |
| DN65  | -  | 70  | 2   | Rd95 × 1/6  | 40 |
| DN80  | -  | 85  | 2   | Rd110 × 1/4 | 45 |
| DN100 | -  | 104 | 2   | Rd130 × 1/4 | 54 |
| DN125 | -  | 129 | 2   | Rd160 × 1/4 | 46 |
| DN150 | -  | 154 | 2   | Rd190 × 1/4 | 50 |

ST-F2055

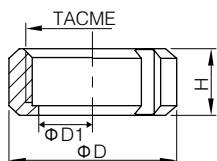


DIN11850 系列 1&2 长型平接头  
DIN11850 Series 1&2 Long liner

| Size  | D  |     |     | D1  | H  |
|-------|----|-----|-----|-----|----|
|       | 1  | 2   | t   |     |    |
| DN10  | 12 | 13  | 1.5 | 22  | 17 |
| DN15  | 18 | 19  | 1.5 | 28  | 17 |
| DN20  | 22 | 23  | 1.5 | 36  | 18 |
| DN25  | 28 | 29  | 1.5 | 44  | 22 |
| DN32  | 34 | 35  | 1.5 | 50  | 25 |
| DN40  | 40 | 41  | 1.5 | 56  | 26 |
| DN50  | 52 | 53  | 1.5 | 68  | 28 |
| DN65  | -  | 70  | 2   | 86  | 32 |
| DN80  | -  | 85  | 2   | 100 | 37 |
| DN100 | -  | 104 | 2   | 121 | 44 |
| DN125 | -  | 129 | 2   | 150 | 34 |
| DN150 | -  | 154 | 2   | 176 | 37 |

# ISO/IDF 由任 ISO/IDF UNION

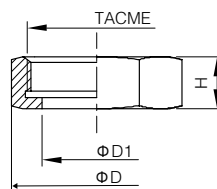
ST-F2056



圆螺母  
Round Nut

| Size    | D1   | TACME   | D   | H  |
|---------|------|---------|-----|----|
| 1"      | 30.5 | 38.3×8  | 48  | 30 |
| 1 1/2"  | 45   | 51.8×8  | 62  | 30 |
| 2"      | 57   | 65.3×8  | 76  | 30 |
| 2 1/2"  | 70.7 | 78.8×8  | 90  | 30 |
| 3"      | 83.3 | 92.3×8  | 103 | 30 |
| 4"(ISO) | 110  | 119.4×8 | 133 | 35 |
| 4"(IDF) | 112  | 127.2×6 | 142 | 35 |

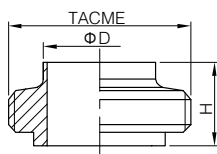
ST-F2057



六角螺母  
Hexagon Nut

| Size    | D1   | TACME   | D     | H  |
|---------|------|---------|-------|----|
| 1"      | 30.5 | 38.3×8  | 53.1  | 30 |
| 1 1/2"  | 45   | 51.8×8  | 69.3  | 30 |
| 2"      | 57   | 65.3×8  | 86.6  | 30 |
| 2 1/2"  | 70.7 | 78.8×8  | 103.9 | 30 |
| 3"      | 83.3 | 92.3×8  | 121.2 | 30 |
| 4"(ISO) | 110  | 119.4×8 | 155.9 | 35 |
| 4"(IDF) | 112  | 127.2×6 | 165.1 | 35 |

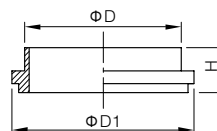
ST-F2058



螺纹接头  
Male

| Size    | D     |       | TACME   | H    |
|---------|-------|-------|---------|------|
|         | ISO   | IDF   |         |      |
| 1"      | 25.6  | 25.4  | 37.13×8 | 21.5 |
| 1 1/2"  | 38.6  | 38.1  | 50.65×8 | 21.5 |
| 2"      | 51.6  | 50.8  | 64.16×8 | 21.5 |
| 2 1/2"  | 64.1  | 63.5  | 77.7×8  | 21.5 |
| 3"      | 76.7  | 76.2  | 91.2×8  | 21.5 |
| 4"(ISO) | 102.5 | -     | 118.4×8 | 21.5 |
| 4"(IDF) | -     | 101.6 | 125.9×6 | 30   |

ST-F2059

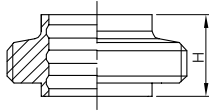


平接头  
Liner

| Size    | D     |       | D1    | H    |
|---------|-------|-------|-------|------|
|         | ISO   | IDF   |       |      |
| 1"      | 25.6  | 25.4  | 33.8  | 21.5 |
| 1 1/2"  | 38.6  | 38.1  | 47    | 21.5 |
| 2"      | 51.6  | 50.8  | 60.5  | 21.5 |
| 2 1/2"  | 64.1  | 63.5  | 74    | 21.5 |
| 3"      | 76.7  | 76.2  | 87.5  | 21.5 |
| 4"(ISO) | 102.5 | -     | 114.4 | 21.5 |
| 4"(IDF) | -     | 101.6 | 120.6 | 30   |

ISO/IDF 由任  
ISO/IDF UNION

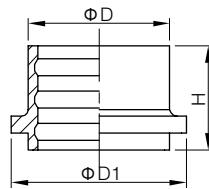
ST-F2060



IDF 膨胀型螺纹接头  
IDF Expanded Male

| Size   | D     | TACME   | H    |
|--------|-------|---------|------|
| 1"     | 29.2  | 37.13×8 | 16.5 |
| 1 1/2" | 42.7  | 50.65×8 | 19.5 |
| 2"     | 56.2  | 64.16×8 | 19.5 |
| 2 1/2" | 69.9  | 77.7×8  | 25   |
| 3"     | 82.6  | 91.2×8  | 30   |
| 4"     | 111.1 | 125.9×6 | 35   |

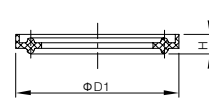
ST-F2061



IDF 膨胀型平接头  
IDF Expanded Liner

| Size   | D     | D1    | H  |
|--------|-------|-------|----|
| 1"     | 25.5  | 33.8  | 20 |
| 1 1/2" | 38.2  | 47    | 20 |
| 2"     | 50.9  | 60.5  | 25 |
| 2 1/2" | 63.6  | 74    | 30 |
| 3"     | 76.3  | 84.5  | 30 |
| 4"     | 101.7 | 120.6 | 30 |

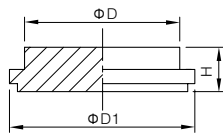
ST-F2062



垫圈  
Union Gasket

| Size    | D1    | H   |
|---------|-------|-----|
| 1"      | 32.5  | 7   |
| 1 1/2"  | 46    | 7   |
| 2"      | 59.5  | 7   |
| 2 1/2"  | 73    | 7   |
| 3"      | 86.5  | 7   |
| 4"(ISO) | 113.1 | 7   |
| 4"(IDF) | 119   | 9.6 |

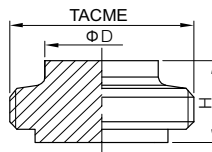
ST-F2063



盲平接头  
Blind Ferrule

| Size    | D    | D1    | H  |
|---------|------|-------|----|
| 1"      | 29.5 | 33.8  | 11 |
| 1 1/2"  | 42.5 | 47    | 11 |
| 2"      | 56   | 60.5  | 11 |
| 2 1/2"  | 70   | 74    | 11 |
| 3"      | 82.3 | 87.5  | 11 |
| 4"(ISO) | 109  | 114.1 | 11 |
| 4"(IDF) | 111  | 120.6 | 11 |

ST-F2064



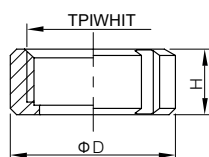
盲螺纹接头  
Blind Male

| Size    | D     |       | TACME   | H    |
|---------|-------|-------|---------|------|
|         | ISO   | IDF   |         |      |
| 1"      | 25.6  | 25.4  | 37.13×8 | 21.5 |
| 1 1/2"  | 38.6  | 38.1  | 50.65×8 | 21.5 |
| 2"      | 51.6  | 50.8  | 64.16×8 | 21.5 |
| 2 1/2"  | 64.1  | 63.5  | 77.7×8  | 21.5 |
| 3"      | 76.7  | 76.2  | 91.2×8  | 21.5 |
| 4"(ISO) | 102.5 | -     | 118.4×8 | 21.5 |
| 4"(IDF) | -     | 101.6 | 125.9×8 | 30   |



# RJT 由任 RJT UNION

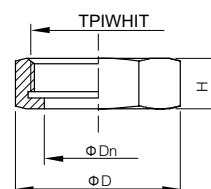
ST-F2065



圆螺母  
Round Nut

| Size   | D     | D1    | TPIWHIT   | H    |
|--------|-------|-------|-----------|------|
| 1"     | 33.3  | 58.5  | 45.7 × 8  | 22   |
| 1 1/2" | 46    | 74    | 58.4 × 8  | 22   |
| 2"     | 58.7  | 85.5  | 72.7 × 6  | 22   |
| 2 1/2" | 71.4  | 98.5  | 85.4 × 6  | 22   |
| 3"     | 84.1  | 111.6 | 98.1 × 6  | 22   |
| 4"     | 109.7 | 138   | 123.5 × 6 | 22   |
| 6"     | 163   | 197   | 174.3 × 6 | 23.5 |

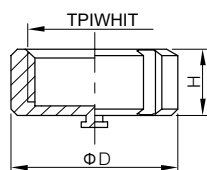
ST-F2066



六角螺母  
Hexagon Nut

| Size   | D     | D1     | TPIWHIT   | H  |
|--------|-------|--------|-----------|----|
| 1"     | 33.3  | 58.66  | 45.7 × 8  | 22 |
| 1 1/2" | 46    | 73.9   | 58.4 × 8  | 22 |
| 2"     | 58.7  | 90.07  | 72.7 × 6  | 22 |
| 2 1/2" | 71.4  | 105.08 | 85.4 × 6  | 22 |
| 3"     | 84.1  | 120.09 | 98.1 × 6  | 22 |
| 4"     | 109.7 | 150.11 | 123.5 × 6 | 22 |
| 6"     | 163   | 203.5  | 174.3 × 6 | 24 |

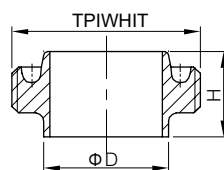
ST-F2067



盲螺母  
Blind Nut

| Size   | D   | TPIWHIT   | H    |
|--------|-----|-----------|------|
| 1"     | 56  | 45.7 × 8  | 22   |
| 1 1/2" | 69  | 58.4 × 8  | 22   |
| 2"     | 83  | 72.7 × 6  | 22   |
| 2 1/2" | 97  | 85.4 × 6  | 22   |
| 3"     | 110 | 98.1 × 6  | 22   |
| 4"     | 136 | 123.5 × 6 | 22   |
| 6"     | 197 | 174.3 × 6 | 23.5 |

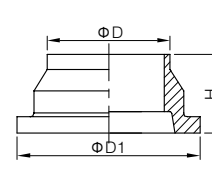
ST-F2068



螺纹接头 (长型系列)  
Long Male

| Size   | D      | TPIWHIT   | H  |
|--------|--------|-----------|----|
| 1"     | 25.65  | 45.7 × 8  | 27 |
| 1 1/2" | 38.35  | 58.4 × 8  | 27 |
| 2"     | 51.05  | 72.7 × 6  | 27 |
| 2 1/2" | 63.75  | 85.4 × 6  | 27 |
| 3"     | 76.45  | 98.1 × 6  | 27 |
| 4"     | 101.85 | 123.5 × 6 | 27 |
| 6"     | 152.4  | 174.3 × 6 | 24 |

ST-F2069

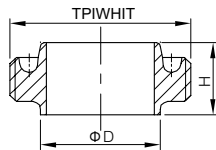


平接头 (长型系列) RJT-AS  
Long Liner(RJT-AS)

| Size   | D      | D1    | H  |
|--------|--------|-------|----|
| 1"     | 25.65  | 41.3  | 27 |
| 1 1/2" | 38.35  | 54    | 27 |
| 2"     | 51.05  | 66.7  | 27 |
| 2 1/2" | 63.75  | 79.4  | 27 |
| 3"     | 76.45  | 92.1  | 27 |
| 4"     | 101.85 | 117.5 | 27 |

# RJT 由任 RJT UNION

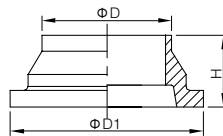
ST-F2070



螺纹接头 (短型系列)  
Short Male

| Size   | D      | TPIWHIT | H    |
|--------|--------|---------|------|
| 1"     | 25.65  | 45.7×8  | 21.5 |
| 1 1/2" | 38.35  | 58.4×8  | 21.5 |
| 2"     | 51.05  | 72.7×6  | 21.5 |
| 2 1/2" | 63.75  | 85.4×6  | 21.5 |
| 3"     | 76.45  | 98.1×6  | 21.5 |
| 4"     | 101.85 | 123.5×6 | 21.5 |

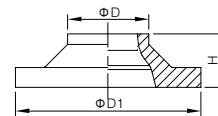
ST-F2071



平接头 (短型系列) RJT-AS  
Short Liner(RJT-AS)

| Size   | D      | D1    | H    |
|--------|--------|-------|------|
| 1"     | 25.65  | 41.3  | 19.5 |
| 1 1/2" | 38.35  | 54    | 19.5 |
| 2"     | 51.05  | 66.7  | 19.5 |
| 2 1/2" | 63.75  | 79.4  | 19.5 |
| 3"     | 76.45  | 92.1  | 19.5 |
| 4"     | 101.85 | 117.5 | 19.5 |
| 6"     | 152.4  | 169.1 | 23.5 |

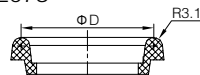
ST-F2072



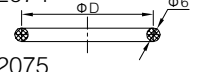
平接头 (短型系列) RJT-BS  
Short Liner(RJT-BS)

| Size   | D      | D1    | H         |
|--------|--------|-------|-----------|
| 1"     | 25.65  | 41.3  | 10/12.7   |
| 1 1/2" | 38.35  | 54    | 10/12.7   |
| 2"     | 51.05  | 66.7  | 10/12.7   |
| 2 1/2" | 63.75  | 79.4  | 10/12.7   |
| 3"     | 76.45  | 92.1  | 10/12.7   |
| 4"     | 101.85 | 117.5 | 12.7/25.4 |

ST-F2073



ST-F2074



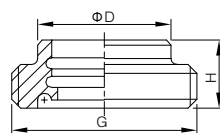
ST-F2075



O 型密封圈  
O-Ring

| Size   | D     |
|--------|-------|
| 1"     | 33.3  |
| 1 1/2" | 46    |
| 2"     | 58.7  |
| 2 1/2" | 71.4  |
| 3"     | 84.1  |
| 4"     | 109.5 |
| 6"     | 162.6 |

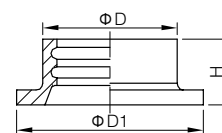
ST-F2076



膨胀螺纹接头  
Expanded Male

| Size   | D     | TPIWHIT | H  |
|--------|-------|---------|----|
| 1"     | 32.5  | 45.7×8  | 20 |
| 1 1/2" | 45.2  | 58.4×8  | 24 |
| 2"     | 57.9  | 72.7×6  | 28 |
| 2 1/2" | 70.6  | 85.4×6  | 32 |
| 3"     | 83.3  | 98.1×6  | 32 |
| 4"     | 108.7 | 123.8×6 | 32 |

ST-F2077

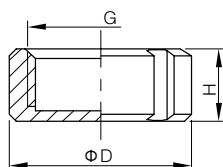


膨胀式平接头  
Expanded Liner

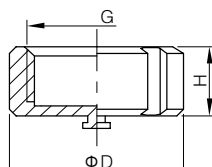
| Size   | D     | D1    | H  |
|--------|-------|-------|----|
| 1"     | 32.5  | 41.3  | 20 |
| 1 1/2" | 45.2  | 54    | 24 |
| 2"     | 57.9  | 66.7  | 28 |
| 2 1/2" | 70.6  | 79.4  | 32 |
| 3"     | 83.3  | 92.1  | 32 |
| 4"     | 108.7 | 117.5 | 32 |

DS 由任  
DS UNION

ST-F2078  
盲型圆螺母  
Round Nut

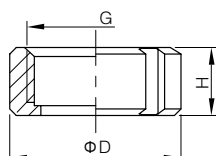


ST-F2079  
盲型螺母 (可带链条)  
Blind Nut (Available With Chain)



| Size   | D   | G           | H  |
|--------|-----|-------------|----|
| 1"     | 57  | Rd44 × 1/6  | 20 |
| 1 1/4" | 65  | Rd52 × 1/6  | 20 |
| 1 1/2" | 71  | Rd58 × 1/6  | 20 |
| 2"     | 86  | Rd72 × 1/6  | 22 |
| 2 1/2" | 103 | Rd88 × 1/6  | 24 |
| 3"     | 115 | Rd100 × 1/6 | 25 |
| 4"     | 148 | Rd130 × 1/4 | 30 |

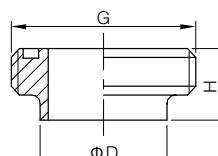
ST-F2080



| Size   | D1   | D   | G           | H  |
|--------|------|-----|-------------|----|
| 1"     | 34.8 | 57  | Rd44 × 1/6  | 20 |
| 1 1/4" | 42.5 | 65  | Rd52 × 1/6  | 20 |
| 1 1/2" | 48.5 | 71  | Rd58 × 1/6  | 20 |
| 2"     | 62.5 | 86  | Rd72 × 1/6  | 22 |
| 2 1/2" | 76.5 | 103 | Rd88 × 1/6  | 24 |
| 3"     | 88.5 | 115 | Rd100 × 1/6 | 25 |
| 4"     | 117  | 148 | Rd130 × 1/4 | 30 |

螺母  
Nut

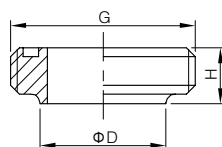
ST-F2081



| Size   | D     | G           | H  |
|--------|-------|-------------|----|
| 1"     | 25    | Rd44 × 1/6  | 20 |
| 1 1/4" | 32    | Rd52 × 1/6  | 20 |
| 1 1/2" | 38    | Rd58 × 1/6  | 20 |
| 2"     | 51    | Rd72 × 1/6  | 22 |
| 2 1/2" | 63.5  | Rd88 × 1/6  | 24 |
| 3"     | 76    | Rd100 × 1/6 | 25 |
| 4"     | 101.6 | Rd130 × 1/4 | 30 |

螺纹接头 (长型)  
Long Male

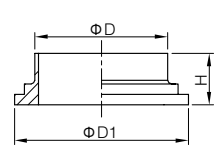
ST-F2082



| Size   | D     | G           | H    |
|--------|-------|-------------|------|
| 1"     | 25    | Rd44 × 1/6  | 18.5 |
| 1 1/2" | 38    | Rd58 × 1/6  | 20   |
| 2"     | 51    | Rd72 × 1/6  | 20   |
| 2 1/2" | 63.5  | Rd88 × 1/6  | 24   |
| 3"     | 76    | Rd100 × 1/6 | 24   |
| 4"     | 101.6 | Rd130 × 1/4 | 24   |

螺纹接头 (短型)  
Short Male

ST-F2083

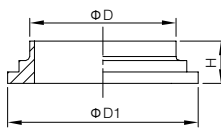


| Size   | D     | D1    | H  |
|--------|-------|-------|----|
| 1"     | 25    | 39.5  | 16 |
| 1 1/4" | 32    | 47.5  | 16 |
| 1 1/2" | 38    | 53.5  | 18 |
| 2"     | 51    | 67.5  | 20 |
| 2 1/2" | 63.5  | 83.5  | 22 |
| 3"     | 76    | 95.5  | 24 |
| 4"     | 101.6 | 123.5 | 30 |

平接头 (长型)  
Long Liner

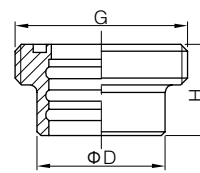
DS 由任  
DS UNION

ST-F2084 短型平接头  
Short Liner



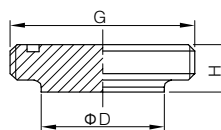
| Size   | D     | D1    | H  |
|--------|-------|-------|----|
| 1"     | 25    | 39.5  | 11 |
| 1 1/4" | 38    | 53.5  | 11 |
| 2"     | 51    | 67.5  | 11 |
| 2 1/2" | 63.5  | 83.5  | 12 |
| 3"     | 76    | 95.5  | 12 |
| 4"     | 101.6 | 123.5 | 12 |

ST-F2085 膨胀螺纹接头  
Expanded Male



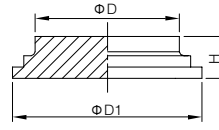
| Size   | D     | G           | H  |
|--------|-------|-------------|----|
| 1"     | 25.2  | Rd44 x 1/6  | 20 |
| 1 1/4" | 32.2  | Rd52 x 1/6  | 20 |
| 1 1/2" | 38.2  | Rd58 x 1/6  | 22 |
| 2"     | 51.2  | Rd72 x 1/6  | 24 |
| 2 1/2" | 63.7  | Rd88 x 1/6  | 26 |
| 3"     | 76.4  | Rd100 x 1/6 | 28 |
| 4"     | 101.8 | Rd130 x 1/4 | 34 |

ST-F2086 盲螺纹接头  
Blind Male



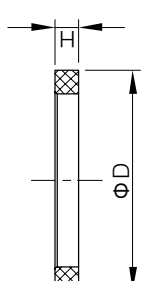
| Size   | D     | G           | H  |
|--------|-------|-------------|----|
| 1"     | 25    | Rd44 x 1/6  | 20 |
| 1 1/4" | 32    | Rd52 x 1/6  | 20 |
| 1 1/2" | 38    | Rd58 x 1/6  | 22 |
| 2"     | 51    | Rd72 x 1/6  | 24 |
| 2 1/2" | 63.5  | Rd88 x 1/6  | 26 |
| 3"     | 76    | Rd100 x 1/6 | 28 |
| 4"     | 101.6 | Rd130 x 1/4 | 34 |

ST-F2087 盲平接头 (长型系列)  
Long Blind End Cap



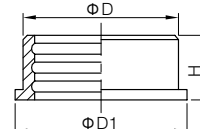
| Size   | D     | D1    | H  |
|--------|-------|-------|----|
| 1"     | 25    | 39.5  | 16 |
| 1 1/4" | 32    | 47.5  | 16 |
| 1 1/2" | 38    | 53.5  | 18 |
| 2"     | 51    | 67.5  | 20 |
| 2 1/2" | 63.5  | 83.5  | 22 |
| 3"     | 76    | 95.5  | 24 |
| 4"     | 101.6 | 123.5 | 30 |

ST-F2088 由任垫圈  
Union Gasket



| Size   | D    | H   |
|--------|------|-----|
| 1"     | 32.2 | 5.5 |
| 1 1/4" | 41   | 5.5 |
| 1 1/2" | 47   | 5.5 |
| 2"     | 59   | 5.5 |
| 2 1/2" | 74.5 | 5.5 |
| 3"     | 88   | 5.5 |
| 4"     | 116  | 5.5 |

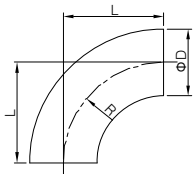
ST-F2089 膨胀平接头  
Expanded Liner



| Size   | D     | D1    | H  |
|--------|-------|-------|----|
| 1"     | 32    | 39.5  | 16 |
| 1 1/4" | 40    | 47.5  | 16 |
| 1 1/2" | 47.9  | 53.5  | 18 |
| 2"     | 60.4  | 67.5  | 20 |
| 2 1/2" | 73.5  | 83.5  | 22 |
| 3"     | 86.5  | 95.5  | 24 |
| 4"     | 112.5 | 123.5 | 30 |

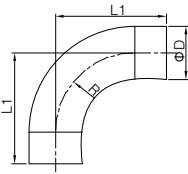
## 3A卫生级焊接管件 3A SANITARY WELDED PIPE-FITTINGS

ST-F2090



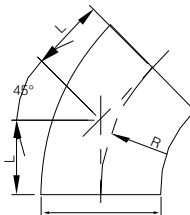
Short type

ST-F2091



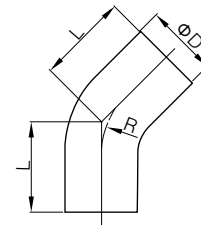
Long type

ST-F2092



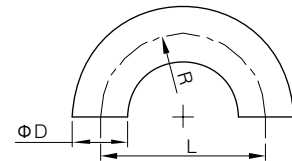
Short type

ST-F2093



Long type

ST-F2097



3A 焊接式 90° 弯头  
3A Welded Elbow (90° )

| Size   | D     | L     | L1    | R     |
|--------|-------|-------|-------|-------|
| 1/2"   | 12.7  | 19.1  | 38    | 19.1  |
| 3/4"   | 19.1  | 28.5  | 38    | 28.5  |
| 1"     | 25.4  | 38.1  | 52.4  | 38.1  |
| 1 1/4" | 31.8  | 47.7  | 69.7  | 47.7  |
| 1 1/2" | 38.1  | 57.2  | 74.6  | 57.2  |
| 2"     | 50.8  | 76.2  | 103.2 | 76.2  |
| 2 1/2" | 63.5  | 95.3  | 131.8 | 95.3  |
| 3"     | 76.2  | 114.3 | 160.3 | 114.3 |
| 4"     | 101.6 | 152.4 | 211.1 | 152.4 |
| 6"     | 152.4 | 228.6 | 280   | 228.6 |

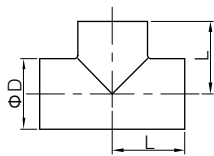
3A 焊接式 45° 弯头  
3A Welded Elbow (45° )

| Size   | D     | L    | L1    | R     |
|--------|-------|------|-------|-------|
| 1/2"   | 12.7  | 7.9  | 19.3  | 19.1  |
| 3/4"   | 19.1  | 11.8 | 19.3  | 28.5  |
| 1"     | 25.4  | 15.8 | 30.1  | 38.1  |
| 1 1/4" | 31.8  | 19.8 | 41.3  | 47.7  |
| 1 1/2" | 38.1  | 23.8 | 41.3  | 57.2  |
| 2"     | 50.8  | 31.8 | 58.8  | 76.2  |
| 2 1/2" | 63.5  | 39.7 | 76.2  | 95.3  |
| 3"     | 76.2  | 47.6 | 93.7  | 114.3 |
| 4"     | 101.6 | 63.5 | 122.2 | 152.4 |
| 6"     | 152.4 | 94.7 | 158.8 | 228.6 |

3A 焊接式 180° 弯头  
3A Welded Elbow (180° )

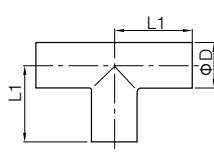
| Size   | D     | L     | R     |
|--------|-------|-------|-------|
| 1"     | 25.4  | 76.2  | 38.1  |
| 1 1/2" | 38.1  | 114.3 | 57.2  |
| 2"     | 50.8  | 152.4 | 76.2  |
| 2 1/2" | 63.5  | 190.5 | 95.3  |
| 3"     | 76.2  | 228.6 | 114.3 |
| 4"     | 101.6 | 304.8 | 152.4 |

ST-F2095



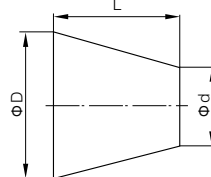
Short type

ST-F2096

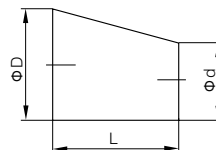


Long type

ST-F2098



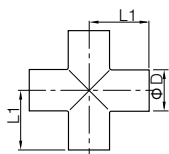
ST-F2099



3A 焊接式大小头  
3A Welded Reducer

| Size        | D     | d     | L     |
|-------------|-------|-------|-------|
| 3/4"-1/2"   | 19.1  | 12.7  | 25.4  |
| 1"-1/2"     | 25.4  | 12.7  | 38.1  |
| 1"-3/4"     | 25.4  | 19.1  | 25.4  |
| 1 1/2"-1/2" | 38.1  | 12.7  | 63.5  |
| 1 1/2"-3/4" | 38.1  | 19.1  | 50.8  |
| 1 1/2"-1"   | 38.1  | 25.4  | 50.8  |
| 2"-1/2"     | 50.8  | 12.7  | 114.3 |
| 2"-3/4"     | 50.8  | 19.1  | 101.6 |
| 2"-1"       | 50.8  | 25.4  | 101.6 |
| 2"-1 1/2"   | 50.8  | 38.1  | 50.8  |
| 2 1/2"-1/2" | 63.5  | 12.7  | 165   |
| 2 1/2"-3/4" | 63.5  | 19.1  | 152.4 |
| 2 1/2"-1"   | 63.5  | 25.4  | 152.4 |
| 1/2"        | 63.5  | 38.1  | 101.6 |
| 2 1/2"-2"   | 63.5  | 50.8  | 50.8  |
| 3"-1"       | 76.2  | 25.4  | 203.2 |
| 3"-1 1/2"   | 76.2  | 38.1  | 152.4 |
| 3"-2"       | 76.2  | 50.8  | 101.6 |
| 3"-2 1/2"   | 76.2  | 63.5  | 50.8  |
| 4"-1"       | 101.6 | 25.4  | 304.9 |
| 4"-1 1/2"   | 101.6 | 38.1  | 254   |
| 4"-2"       | 101.6 | 50.8  | 203.2 |
| 4"-2 1/2"   | 101.6 | 63.5  | 152.4 |
| 4"-3"       | 101.6 | 76.2  | 101.6 |
| 6"-3"       | 152.4 | 76.2  | 155.7 |
| 6"-4"       | 152.4 | 101.6 | 155.7 |

ST-F2094



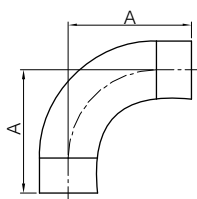
3A 焊接型三通、四通  
3A Welded Tee & Cross

| Size   | D     | L    | L1   |
|--------|-------|------|------|
| 1/2"   | 12.7  | 38   | 38   |
| 3/4"   | 19.1  | 38   | 38   |
| 1"     | 25.4  | 28.5 | 47.6 |
| 1 1/4" | 31.8  | 35   | 55   |
| 1 1/2" | 38.1  | 42   | 57.2 |
| 2"     | 50.8  | 52.3 | 76.2 |
| 2 1/2" | 63.5  | 59.5 | 76.2 |
| 3"     | 76.2  | 65.9 | 82.6 |
| 4"     | 101.6 | 87.4 | 98.4 |
| 6"     | 152.4 | 127  | 127  |

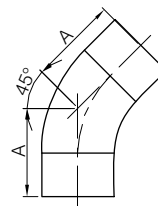
## BPE卫生级焊接管件

### BPE SANITARY WELDED PIPE-FITTINGS

ST-F2100



ST-F2101



BPE 管件壁厚公差范围

Table DT-6 Final Tolerances For Electropolished Fittings And Process Components

| Nominal Size in. | Wall Thickness  |               |
|------------------|-----------------|---------------|
|                  | in.             | mm            |
| 1/4"             | + 0.003/- 0.006 | + 0.08/- 0.15 |
| 3/8"             | + 0.003/- 0.006 | + 0.08/- 0.15 |
| 1/2"             | + 0.005/- 0.010 | + 0.13/- 0.25 |
| 3/4"             | + 0.005/- 0.010 | + 0.13/- 0.25 |
| 1"               | + 0.005/- 0.010 | + 0.13/- 0.25 |
| 1 1/2"           | + 0.005/- 0.010 | + 0.13/- 0.25 |
| 2"               | + 0.005/- 0.010 | + 0.13/- 0.25 |
| 2 1/2"           | + 0.005/- 0.010 | + 0.13/- 0.25 |
| 3"               | + 0.005/- 0.010 | + 0.13/- 0.25 |
| 4"               | + 0.008/- 0.012 | + 0.20/- 0.30 |
| 6"               | + 0.015/- 0.017 | + 0.38/- 0.43 |

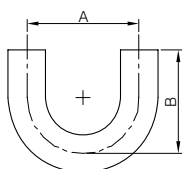
BPE 焊接式弯头 (90° )  
BPE Welded Elbow (90° )

| Nominal Size in. | A     |       |
|------------------|-------|-------|
|                  | in.   | mm    |
| 1/4"             | 2.000 | 50.8  |
| 3/8"             | 2.000 | 50.8  |
| 1/2"             | 2.250 | 57.2  |
| 3/4"             | 2.250 | 57.2  |
| 1"               | 2.250 | 57.2  |
| 1 1/2"           | 2.500 | 63.5  |
| 2"               | 3.000 | 76.2  |
| 2 1/2"           | 3.375 | 85.7  |
| 3"               | 3.625 | 92.1  |
| 4"               | 4.500 | 114.3 |
| 6"               | 6.250 | 158.8 |

BPE 焊接式弯头 (45° )  
BPE Welded Elbow (45° )

| Nominal Size in. | A      |       |
|------------------|--------|-------|
|                  | in.    | mm    |
| 1/4"             | 2.625  | 66.7  |
| 3/8"             | 2.625  | 66.7  |
| 1/2"             | 3.000  | 76.2  |
| 3/4"             | 3.000  | 76.2  |
| 1"               | 3.000  | 76.2  |
| 1 1/2"           | 3.750  | 95.3  |
| 2"               | 4.750  | 120.7 |
| 2 1/2"           | 5.500  | 139.7 |
| 3"               | 6.250  | 158.8 |
| 4"               | 8.000  | 203.2 |
| 6"               | 11.500 | 292.1 |

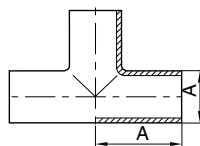
ST-F2102



BPE 焊接弯头 (180° )  
BPE Welded Elbow (180° )

| Nominal Size in. | A      |       | B      |       |
|------------------|--------|-------|--------|-------|
|                  | in.    | mm    | in.    | mm    |
| 1/4"             | 4.500  | 114.3 | 2.625  | 66.7  |
| 3/8"             | 4.500  | 114.3 | 2.625  | 66.7  |
| 1/2"             | 4.500  | 114.3 | 3.000  | 76.2  |
| 3/4"             | 4.500  | 114.3 | 3.000  | 76.2  |
| 1"               | 3.000  | 76.2  | 3.000  | 76.2  |
| 1 1/2"           | 4.500  | 114.3 | 4.500  | 114.3 |
| 2"               | 6.000  | 152.4 | 5.000  | 127.0 |
| 2 1/2"           | 7.500  | 190.5 | 5.750  | 146.1 |
| 3"               | 9.000  | 228.6 | 6.500  | 165.1 |
| 4"               | 12.000 | 304.8 | 8.500  | 215.9 |
| 6"               | 18.000 | 457.2 | 11.500 | 292.1 |

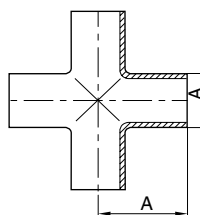
ST-F2103



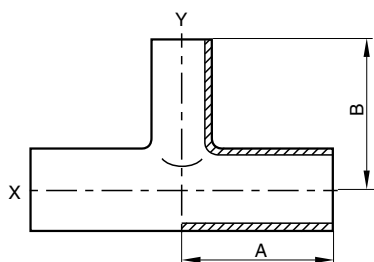
BPE 焊接式三通 / 四通  
BPE Welded Tee and Cross

| Nominal Size in. | A     |       |
|------------------|-------|-------|
|                  | in.   | mm    |
| 1/4"             | 1.750 | 44.5  |
| 3/8"             | 1.750 | 44.5  |
| 1/2"             | 1.875 | 47.6  |
| 3/4"             | 2.000 | 50.8  |
| 1"               | 2.125 | 54.0  |
| 1 1/2"           | 2.375 | 60.3  |
| 2"               | 2.875 | 73.0  |
| 2 1/2"           | 3.125 | 79.4  |
| 3"               | 3.375 | 85.7  |
| 4"               | 4.125 | 104.8 |
| 6"               | 5.625 | 142.9 |

ST-F2104



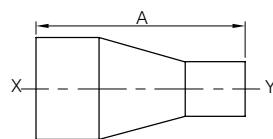
ST-F2105



BPE 焊接式异径三通  
BPE Welded Reducing Tee

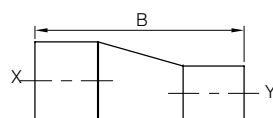
| Nominal Size, in. |       | A     |       | B     |       |
|-------------------|-------|-------|-------|-------|-------|
| X                 | Y     | in.   | mm    | in.   | mm    |
| 3/8               | 1/4   | 1.750 | 44.5  | 1.750 | 44.5  |
| 1/2               | 1/4   | 1.875 | 47.5  | 1.875 | 47.6  |
| 1/2               | 3/8   | 1.875 | 47.6  | 1.875 | 47.6  |
| 3/4               | 1/4   | 2.000 | 50.8  | 2.000 | 50.8  |
| 3/4               | 3/8   | 2.000 | 50.8  | 2.000 | 50.8  |
| 3/4               | 1/2   | 2.000 | 50.8  | 2.000 | 50.8  |
| 1                 | 1/4   | 2.125 | 54.0  | 2.125 | 54.0  |
| 1                 | 3/8   | 2.125 | 54.0  | 2.125 | 54.0  |
| 1                 | 1/2   | 2.125 | 54.0  | 2.125 | 54.0  |
| 1                 | 3/4   | 2.125 | 54.0  | 2.125 | 54.0  |
| 1 1/2             | 1/2   | 2.375 | 60.3  | 2.375 | 60.3  |
| 1 1/2             | 3/4   | 2.375 | 60.3  | 2.375 | 60.3  |
| 1 1/2             | 1     | 2.375 | 60.3  | 2.375 | 60.3  |
| 2                 | 1/2   | 2.875 | 73.0  | 2.625 | 66.7  |
| 2                 | 3/4   | 2.875 | 73.0  | 2.625 | 66.7  |
| 2                 | 1     | 2.875 | 73.0  | 2.625 | 66.7  |
| 2                 | 1 1/2 | 2.875 | 73.0  | 2.625 | 66.7  |
| 2 1/2             | 1/2   | 3.125 | 79.4  | 2.875 | 73.0  |
| 2 1/2             | 3/4   | 3.125 | 79.4  | 2.875 | 73.0  |
| 2 1/2             | 1     | 3.125 | 79.4  | 2.875 | 73.0  |
| 2 1/2             | 1 1/2 | 3.125 | 79.4  | 2.875 | 73.0  |
| 2 1/2             | 2     | 3.125 | 79.4  | 2.875 | 73.0  |
| 3                 | 1/2   | 3.375 | 85.7  | 3.125 | 79.4  |
| 3                 | 3/4   | 3.375 | 85.7  | 3.125 | 79.4  |
| 3                 | 1     | 3.375 | 85.7  | 3.125 | 79.4  |
| 3                 | 1 1/2 | 3.375 | 85.7  | 3.125 | 79.4  |
| 3                 | 2     | 3.375 | 85.7  | 3.125 | 79.4  |
| 3                 | 2 1/2 | 3.375 | 85.7  | 3.125 | 79.4  |
| 4                 | 1/2   | 4.125 | 104.8 | 3.625 | 92.1  |
| 4                 | 3/4   | 4.125 | 104.8 | 3.625 | 92.1  |
| 4                 | 1     | 4.125 | 104.8 | 3.625 | 92.1  |
| 4                 | 1 1/2 | 4.125 | 104.8 | 3.625 | 92.1  |
| 4                 | 2     | 4.125 | 104.8 | 3.875 | 98.4  |
| 4                 | 2 1/2 | 4.125 | 104.8 | 3.875 | 98.4  |
| 4                 | 3     | 4.125 | 104.8 | 3.875 | 98.4  |
| 6                 | 3     | 5.625 | 142.9 | 4.875 | 123.8 |
| 6                 | 4     | 5.625 | 142.9 | 5.125 | 130.2 |

ST-F2106



Concentric Reducer  
(同心大小头)

ST-F2107



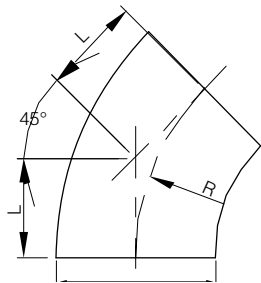
Eccentric Reducer  
(偏心大小头)

| Nominal Size, in. |       | A      |       | B      |       |
|-------------------|-------|--------|-------|--------|-------|
| X                 | Y     | in.    | mm    | in.    | mm    |
| 3/8               | 1/4   | 3.250  | 82.6  | 4.000  | 101.6 |
| 1/2               | 1/4   | 3.250  | 82.6  | 4.000  | 101.6 |
| 1/2               | 3/8   | 3.250  | 82.6  | 4.000  | 101.6 |
| 3/4               | 1/4   | 3.250  | 82.6  | 4.000  | 101.6 |
| 3/4               | 3/8   | 3.250  | 82.6  | 4.000  | 101.6 |
| 3/4               | 1/2   | 4.000  | 101.6 | 4.000  | 101.6 |
| 1                 | 1/4   | 4.500  | 114.3 | 4.500  | 114.3 |
| 1                 | 3/8   | 4.500  | 114.3 | 4.500  | 114.3 |
| 1                 | 1/2   | 4.500  | 114.3 | 4.500  | 114.3 |
| 1                 | 3/4   | 4.000  | 101.6 | 4.000  | 101.6 |
| 1 1/2             | 1/2   | 5.500  | 139.7 | 5.500  | 139.7 |
| 1 1/2             | 3/4   | 5.000  | 127.0 | 5.000  | 127.0 |
| 1 1/2             | 1     | 5.000  | 127.0 | 5.000  | 127.0 |
| 2                 | 1/2   | 7.750  | 196.9 | 7.750  | 196.9 |
| 2                 | 3/4   | 7.250  | 184.2 | 7.250  | 184.2 |
| 2                 | 1     | 7.250  | 184.2 | 7.250  | 184.2 |
| 2                 | 1 1/2 | 5.250  | 133.4 | 5.250  | 133.4 |
| 2 1/2             | 1/2   | 9.750  | 247.7 | 9.750  | 247.7 |
| 2 1/2             | 3/4   | 9.250  | 235.0 | 9.250  | 235.0 |
| 2 1/2             | 1     | 9.250  | 235.0 | 9.250  | 235.0 |
| 2 1/2             | 1 1/2 | 7.250  | 184.2 | 7.250  | 184.2 |
| 2 1/2             | 2     | 5.500  | 139.7 | 5.500  | 139.7 |
| 3                 | 1     | 11.250 | 285.8 | 11.250 | 285.8 |
| 3                 | 1 1/2 | 9.250  | 235.0 | 9.250  | 235.0 |
| 3                 | 2     | 7.500  | 190.5 | 7.500  | 190.5 |
| 3                 | 2 1/2 | 5.500  | 139.7 | 5.500  | 139.7 |
| 4                 | 1     | 15.500 | 393.7 | 15.500 | 393.7 |
| 4                 | 1 1/2 | 13.500 | 342.9 | 13.500 | 342.9 |
| 4                 | 2     | 11.750 | 298.5 | 11.750 | 298.5 |
| 4                 | 2 1/2 | 9.750  | 247.7 | 9.750  | 247.7 |
| 4                 | 3     | 7.750  | 196.9 | 7.750  | 196.9 |
| 6                 | 3     | 10.000 | 254.0 | 9.750  | 247.7 |
| 6                 | 4     | 10.000 | 254.0 | 10.000 | 254.0 |

# DIN卫生级焊接管件

## DIN SANITARY WELDED PIPE-FITTINGS

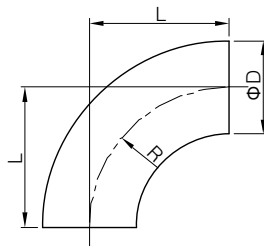
ST-F2108



DIN 焊接式弯头 (45° )  
DIN Welded Elbow (45° )

| Size  | D   | L    | R   |
|-------|-----|------|-----|
| DN10  | 12  | 10.7 | 26  |
| DN15  | 18  | 14.5 | 35  |
| DN20  | 22  | 16.5 | 40  |
| DN25  | 28  | 20.7 | 50  |
| DN32  | 34  | 22.8 | 55  |
| DN40  | 40  | 24.8 | 60  |
| DN50  | 52  | 29   | 70  |
| DN65  | 70  | 33.2 | 80  |
| DN80  | 85  | 37.3 | 90  |
| DN100 | 104 | 41.5 | 100 |
| DN125 | 129 | 77.5 | 187 |
| DN150 | 154 | 93.2 | 225 |

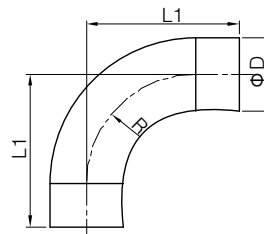
ST-F2109



DIN 焊接式弯头 (90° )  
DIN Welded Elbow (90° )

| Size  | D   | L   | R   |
|-------|-----|-----|-----|
| DN10  | 12  | 26  | 26  |
| DN15  | 18  | 35  | 35  |
| DN20  | 22  | 40  | 40  |
| DN25  | 28  | 50  | 50  |
| DN32  | 34  | 55  | 55  |
| DN40  | 40  | 60  | 60  |
| DN50  | 52  | 70  | 70  |
| DN65  | 70  | 80  | 80  |
| DN80  | 85  | 90  | 90  |
| DN100 | 104 | 100 | 100 |
| DN125 | 129 | 187 | 187 |
| DN150 | 154 | 225 | 225 |
| DN200 | 204 | 300 | 300 |

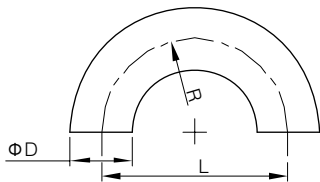
ST-F2110



DIN 加直端焊接式弯头 (90° )  
DIN Welded Elbow (90° ) With  
Straight End

| Size  | D   | L   | R   |
|-------|-----|-----|-----|
| DN10  | 12  | 40  | 26  |
| DN15  | 18  | 47  | 35  |
| DN20  | 22  | 52  | 40  |
| DN25  | 28  | 70  | 50  |
| DN32  | 34  | 78  | 55  |
| DN40  | 40  | 85  | 60  |
| DN50  | 52  | 97  | 70  |
| DN65  | 70  | 110 | 80  |
| DN80  | 85  | 118 | 90  |
| DN100 | 104 | 140 | 100 |
| DN125 | 129 | 227 | 187 |
| DN150 | 154 | 265 | 225 |

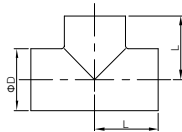
ST-F2111



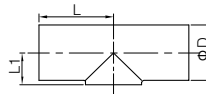
DIN 焊接式弯头 (180° )  
DIN Welded Elbow (180° )

| Size  | D   | L   | R   |
|-------|-----|-----|-----|
| DN25  | 28  | 100 | 50  |
| DN32  | 34  | 110 | 55  |
| DN40  | 40  | 120 | 60  |
| DN50  | 52  | 140 | 70  |
| DN65  | 70  | 160 | 80  |
| DN80  | 85  | 180 | 90  |
| DN100 | 104 | 200 | 100 |

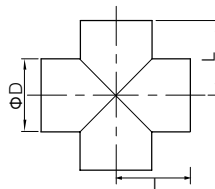
ST-F2112



ST-F2113



ST-F2114



DIN 焊接式三通 / 四通  
DIN Welded Tee/ Cross

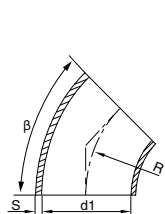
| Size  | D   | L   | L1   |
|-------|-----|-----|------|
| DN10  | 12  | 26  | 7.5  |
| DN15  | 18  | 35  | 10.5 |
| DN20  | 22  | 40  | 12.5 |
| DN25  | 28  | 50  | 16   |
| DN32  | 34  | 55  | 19.5 |
| DN40  | 40  | 60  | 22.5 |
| DN50  | 52  | 70  | 30   |
| DN65  | 70  | 80  | 39.5 |
| DN80  | 85  | 90  | 47.5 |
| DN100 | 104 | 100 | 58   |
| DN125 | 129 | 187 | 70.5 |
| DN150 | 154 | 225 | 83   |



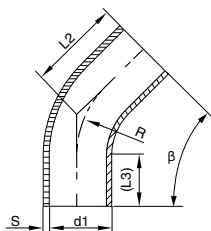
# DIN 11850系列2焊接管件

## DIN 11850 SERIES 2 WELDED PIPE-FITTINGS

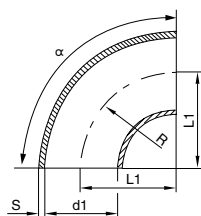
ST-F2115



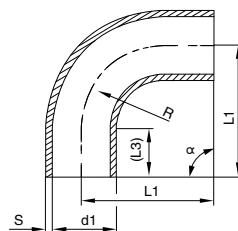
ST-F2116



ST-F2117



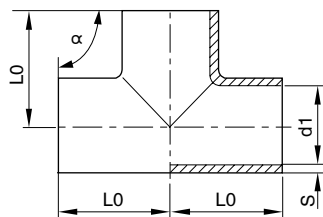
ST-F2118



DIN 11850 系列 2 焊接式弯头  
DIN11850 Series 2 Welded Elbow

| Size | OD*t    | d1  | S   | R     | L0    | L1  | L2    | L3   | L4  |
|------|---------|-----|-----|-------|-------|-----|-------|------|-----|
| 10   | 13x1.5  | 10  | 1.5 | 26    | 26    | 51  | 35.8  | 25   | 52  |
| 15   | 19x1.5  | 16  | 1.5 | 35    | 35    | 60  | 39.5  | 25   | 70  |
| 20   | 23x1.5  | 20  | 1.5 | 40    | 40    | 65  | 41.6  | 25   | 80  |
| 25   | 29x1.5  | 26  | 1.5 | 50    | 50    | 90  | 60.7  | 40   | 100 |
| 32   | 35x1.5  | 32  | 1.5 | 55    | 55    | 95  | 62.8  | 40   | 110 |
| 40   | 41x1.5  | 38  | 1.5 | 60    | 60    | 100 | 64.9  | 40   | 120 |
| 50   | 53x1.5  | 50  | 1.5 | 70    | 70    | 110 | 69    | 40   | 140 |
| 65   | 70x2.0  | 66  | 2.0 | 80    | 80    | 120 | 73.1  | 40   | 160 |
| 80   | 85x2.0  | 81  | 2.0 | 90    | 90    | 145 | 92.3  | 55   | 180 |
| 100  | 104x2.0 | 100 | 2.0 | 100   | 100   | 155 | 96.4  | 55   | 200 |
| 125  | 129x2.0 | 125 | 2.0 | 187.5 | 187.5 | 245 | 135.2 | 57.5 | 375 |
| 150  | 154x2.0 | 150 | 2.0 | 225   | 225   | -   | -     | -    | -   |
| 200  | 204x2.0 | 200 | 2.0 | 300   | 300   | -   | -     | -    | -   |

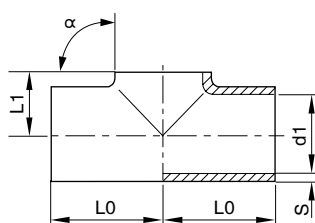
ST-F2119



DIN 11850 系列 2 焊接式三通  
DIN11850 Series 2 Welded Tee

| Size | OD*t    | d1  | S   | L0    | L1         |
|------|---------|-----|-----|-------|------------|
| 10   | 13x1.5  | 10  | 1.5 | 35    | -          |
| 15   | 19x1.5  | 16  | 1.5 | 35    | 11.0±0.5   |
| 20   | 23x1.5  | 20  | 1.5 | 40    | 13.0±0.5   |
| 25   | 29x1.5  | 26  | 1.5 | 50    | 16.0±0.75  |
| 32   | 35x1.5  | 32  | 1.5 | 55    | 19.5±0.75  |
| 40   | 41x1.5  | 38  | 1.5 | 60    | 23.0±1     |
| 50   | 53x1.5  | 50  | 1.5 | 70    | 30.0±1     |
| 65   | 70x2.0  | 66  | 2.0 | 80    | 40.0±1.5   |
| 80   | 85x2.0  | 81  | 2.0 | 90    | 47.5±1.5   |
| 100  | 104x2.0 | 100 | 2.0 | 100   | 58.0±1.5   |
| 125  | 129x2.0 | 125 | 2.0 | 187.5 | 74.0±3     |
| 150  | 154x2.0 | 150 | 2.0 | 225   | 90.0±3     |
| 200  | 204x2.0 | 200 | 2.0 | 300   | 115.0±3.75 |

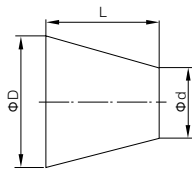
ST-F2120



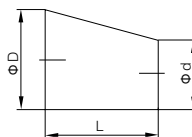
## DIN卫生级焊接管件

### DIN SANITARY WELDED PIPE-FITTINGS

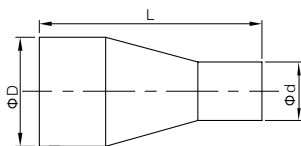
ST-F2121



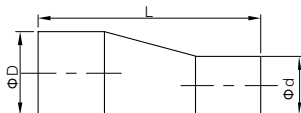
ST-F2122



ST-F2123



ST-F2124



DIN 短型大小头  
DIN Short-type Welded Reducer

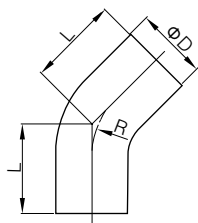
| Size      | D  | d  | L  | Size        | D   | d   | L  |
|-----------|----|----|----|-------------|-----|-----|----|
| DN15-DN10 | 18 | 12 | 11 | DN65-DN32   | 70  | 34  | 62 |
| DN20-DN10 | 22 | 12 | 18 | DN65-DN40   | 70  | 40  | 51 |
| DN20-DN15 | 22 | 18 | 7  | DN65-DN50   | 70  | 52  | 29 |
| DN25-DN15 | 28 | 18 | 18 | DN80-DN40   | 85  | 40  | 78 |
| DN25-DN20 | 28 | 22 | 11 | DN80-DN50   | 85  | 52  | 56 |
| DN32-DN20 | 34 | 22 | 22 | DN80-DN65   | 85  | 70  | 27 |
| DN32-DN25 | 34 | 28 | 11 | DN100-DN50  | 104 | 52  | 90 |
| DN40-DN20 | 40 | 22 | 33 | DN100-DN65  | 104 | 70  | 61 |
| DN40-DN25 | 40 | 28 | 22 | DN100-DN80  | 104 | 85  | 34 |
| DN40-DN32 | 40 | 34 | 11 | DN125-DN80  | 129 | 85  | 80 |
| DN50-DN25 | 52 | 28 | 44 | DN125-DN100 | 129 | 104 | 45 |
| DN50-DN32 | 52 | 34 | 33 | DN150-DN100 | 154 | 104 | 90 |
| DN50-DN40 | 52 | 40 | 22 | DN150-DN125 | 154 | 129 | 45 |
| DN65-DN25 | 70 | 28 | 73 | DN200-DN150 | 204 | 154 | 90 |

DIN 长型大小头  
DIN Long-type Welded Reducer

| Size      | D  | d  | L   | Size        | D   | d   | L   |
|-----------|----|----|-----|-------------|-----|-----|-----|
| DN25-DN15 | 22 | 18 | 60  | DN65-DN40   | 70  | 40  | 120 |
| DN25-DN20 | 28 | 22 | 60  | DN65-DN50   | 70  | 52  | 130 |
| DN32-DN20 | 34 | 22 | 80  | DN80-DN40   | 85  | 40  | 140 |
| DN32-DN25 | 34 | 28 | 80  | DN80-DN50   | 85  | 52  | 125 |
| DN40-DN20 | 40 | 22 | 102 | DN80-DN65   | 85  | 70  | 120 |
| DN40-DN25 | 40 | 28 | 102 | DN100-DN50  | 104 | 52  | 160 |
| DN40-DN32 | 40 | 34 | 88  | DN100-DN65  | 104 | 70  | 127 |
| DN50-DN25 | 52 | 28 | 115 | DN100-DN80  | 104 | 85  | 120 |
| DN50-DN32 | 52 | 34 | 129 | DN125-DN80  | 129 | 85  | 150 |
| DN50-DN40 | 52 | 40 | 113 | DN125-DN100 | 129 | 104 | 150 |
| DN65-DN25 | 70 | 28 | 125 | DN150-DN100 | 154 | 104 | 170 |
| DN65-DN32 | 70 | 34 | 125 | DN150-DN125 | 154 | 129 | 170 |

## SMS/DS卫生级焊接管件 SMS/DS SANITARY WELDED PIPE-FITTINGS

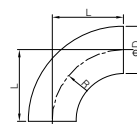
ST-F2125



SMS/DS 焊接弯头 (45° )  
SMS/DS Welded Elbow (45° )

| Size   | D     | L     | R    |
|--------|-------|-------|------|
| 1"     | 25.4  | 45    | 25   |
| 1 1/4" | 31.8  | 53.3  | 32   |
| 1 1/2" | 38.1  | 56.7  | 38   |
| 2"     | 50.8  | 63.3  | 51   |
| 2 1/2" | 63.5  | 80.8  | 63.5 |
| 3"     | 76.2  | 82    | 76   |
| 4"     | 101.6 | 108.9 | 150  |

ST-F2171

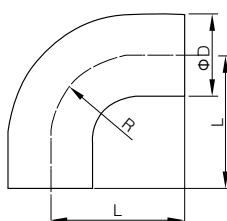


Short type

SMS/DS 短型焊接弯头  
SMS/DS Short Welded Elbow(90° )

| Size   | D     | L     | R     |
|--------|-------|-------|-------|
| 1"     | 25    | 38.1  | 38.1  |
| 1 1/4" | 32    | 47.7  | 47.7  |
| 1 1/2" | 38    | 57.1  | 57.1  |
| 2"     | 51    | 76.2  | 76.2  |
| 2 1/2" | 63.5  | 95.2  | 95.2  |
| 3"     | 76    | 114.3 | 114.3 |
| 4"     | 101.6 | 152.4 | 152.4 |

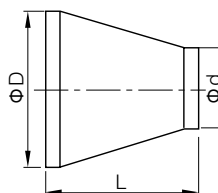
ST-F2126



SMS/DS 长型焊接弯头 (90° )  
SMS/DS Long Welded Elbow(90° )

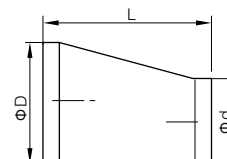
| Size   | D     | L   | R    |
|--------|-------|-----|------|
| 1"     | 25    | 55  | 25   |
| 1 1/4" | 32    | 64  | 32   |
| 1 1/2" | 38    | 70  | 38   |
| 2"     | 51    | 82  | 51   |
| 2 1/2" | 63.5  | 105 | 63.5 |
| 3"     | 76    | 110 | 76   |
| 4"     | 101.6 | 150 | 150  |

ST-F2130



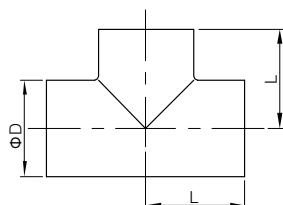
同心大小头  
Conantric Reducer

ST-F2131



偏心大小头  
Eccentric Reducer

ST-F2127



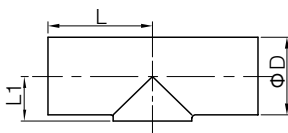
SMS/DS 长型焊接三通  
SMS-DS Long type Welded Tee

| Size   | D     | L   |
|--------|-------|-----|
| 1"     | 25    | 55  |
| 1 1/4" | 32    | 64  |
| 1 1/2" | 38    | 70  |
| 2"     | 51    | 82  |
| 2 1/2" | 63.5  | 105 |
| 3"     | 76    | 110 |
| 4"     | 101.6 | 150 |

SMS/DS 焊接式大小头  
SMS/DS Welded Reducer

| Size       | D     | d    | L  |
|------------|-------|------|----|
| 0.75"/0.5" | 19.1  | 12.7 | 28 |
| 1"/0.5"    | 25    | 12.7 | 30 |
| 1"/0.75"   | 25    | 19.1 | 30 |
| 1.25"/1"   | 32    | 25   | 33 |
| 1.5"/1"    | 38    | 25   | 39 |
| 1.5"/1.25" | 38    | 32   | 39 |
| 2"/1"      | 51    | 25   | 57 |
| 2"/1.25"   | 51    | 32   | 57 |
| 2"/1.5"    | 51    | 38   | 39 |
| 2.5"/1"    | 63.5  | 25   | 57 |
| 2.5"/1.25" | 63.5  | 32   | 57 |
| 2.5"/1.5"  | 63.5  | 38   | 57 |
| 2.5"/2"    | 63.5  | 51   | 39 |
| 3"/1"      | 76.2  | 25   | 74 |
| 3"/1.25"   | 76.2  | 32   | 74 |
| 3"/1.5"    | 76.2  | 38   | 74 |
| 3"/2"      | 76.2  | 51   | 57 |
| 3"/2.5"    | 76.2  | 63.5 | 39 |
| 4"/1.5"    | 101.6 | 38   | 95 |
| 4"/2"      | 101.6 | 51   | 95 |
| 4"/2.5"    | 101.6 | 63.5 | 78 |
| 4"/3"      | 101.6 | 76.2 | 60 |

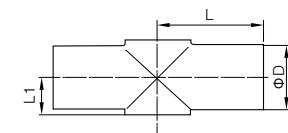
ST-F2128



SMS/DS 短型焊接三通 / 四通  
SMS-DS Short type Welded Tee and Cross

| Size   | D     | L   | L1   |
|--------|-------|-----|------|
| 1"     | 25    | 55  | 14.5 |
| 1 1/4" | 32    | 64  | 19.5 |
| 1 1/2" | 38    | 70  | 21.5 |
| 2"     | 51    | 82  | 29.5 |
| 2 1/2" | 63.5  | 105 | 36   |
| 3"     | 76    | 110 | 43   |
| 4"     | 101.6 | 150 | 57   |

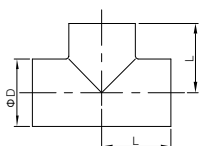
ST-F2129



## ISO/IDF卫生级焊接管件

## ISO/IDF SANITARY WELDED PIPE-FITTINGS

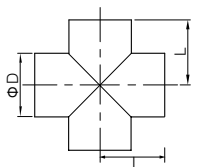
ST-F2132



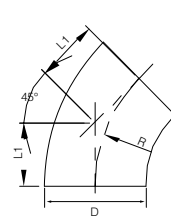
ISO/IDF 焊接式三通 / 四通  
ISO/IDF Welded Tee/ Cross

| Size | D     | L    |
|------|-------|------|
| 25   | 25.4  | 33.5 |
| 32   | 31.8  | 38   |
| 38   | 38.1  | 48.5 |
| 51   | 50.8  | 60.5 |
| 63   | 63.5  | 65   |
| 76   | 76.2  | 74   |
| 89   | 89    | 88   |
| 102  | 101.6 | 100  |
| 127  | 127   | 120  |
| 152  | 152.4 | 140  |

ST-F2133



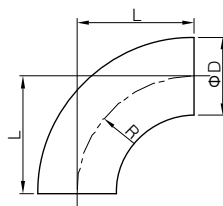
ST-F2136



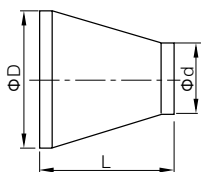
ISO/IDF 焊接式弯头  
ISO/IDF Welded Elbow

| Size  | D     | L    | L1    | R    |
|-------|-------|------|-------|------|
| 12.7  | 12.7  | 19.1 | 7.9   | 19.1 |
| 19    | 19.1  | 28.5 | 11.8  | 28.5 |
| 25    | 25.4  | 33.5 | 13.9  | 33.5 |
| 32    | 31.8  | 38   | 15.7  | 38   |
| 38    | 38.1  | 48.5 | 20.1  | 48.5 |
| 45    | 45    | 51.5 | 21.3  | 51.5 |
| 51    | 50.8  | 60.5 | 25.5  | 60.5 |
| 57    | 57    | 66   | 27.3  | 66   |
| 63    | 63.5  | 76.5 | 31.6  | 76.5 |
| 76    | 76.2  | 88.9 | 36.7  | 88.9 |
| 89    | 89    | 100  | 42.3  | 100  |
| 102   | 101.6 | 127  | 52.6  | 127  |
| 108   | 108   | 130  | 53.9  | 130  |
| 114.3 | 114.3 | 135  | 55.9  | 135  |
| 133   | 133   | 165  | 68.3  | 165  |
| 159   | 159   | 199  | 82.4  | 199  |
| 204   | 204   | 300  | 124.3 | 300  |
| 219   | 219   | 308  | 126.4 | 302  |

ST-F2137



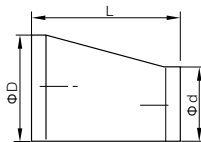
ST-F2134



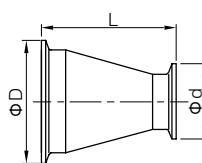
ISO/IDF 焊接式大小头  
ISO/IDF Welded Reducer

| Size       | D     | d    | L   |
|------------|-------|------|-----|
| 1"-0.75"   | 25.4  | 19.1 | 32  |
| 1.25"-1"   | 31.8  | 25.4 | 40  |
| 1.5"-1"    | 38.1  | 25.4 | 48  |
| 1.5"-1.25" | 38.1  | 31.8 | 48  |
| 2"-1"      | 50.8  | 25.4 | 63  |
| 2"-1.25"   | 50.8  | 31.8 | 51  |
| 2"-1.5"    | 50.8  | 31.8 | 51  |
| 2.5"-1"    | 63.5  | 25.4 | 67  |
| 2.5"-1.5"  | 63.5  | 38.1 | 60  |
| 2.5"-2"    | 63.5  | 50.8 | 60  |
| 3"-1.5"    | 76.2  | 38.1 | 76  |
| 3"-2"      | 76.2  | 50.8 | 76  |
| 3"-2.5"    | 76.2  | 63.5 | 76  |
| 3.5"-2"    | 89    | 50.8 | 80  |
| 3.5"-2.5"  | 89    | 63.5 | 80  |
| 3.5"-3"    | 89    | 76.2 | 80  |
| 4"-2"      | 101.6 | 50.8 | 102 |
| 4"-2.5"    | 101.6 | 63.5 | 102 |
| 4"-3"      | 101.6 | 76.2 | 102 |
| 4"-3.5"    | 101.6 | 89   | 102 |

ST-F2135



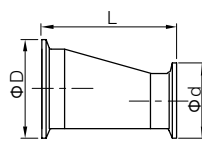
ST-F2138



ISO/IDF 卡箍式大小头  
ISO/IDF Clamp Reducer

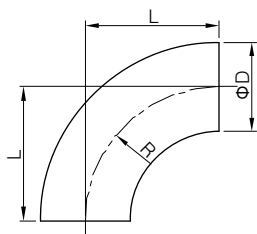
| Size       | D    | d    | L   |
|------------|------|------|-----|
| 1"-0.75"   | 50.5 | 25.4 | 75  |
| 1.25"-1"   | 50.5 | 50.5 | 83  |
| 1.5"-1"    | 50.5 | 50.5 | 91  |
| 1.5"-1.25" | 50.5 | 50.5 | 91  |
| 2"-1"      | 64   | 50.5 | 106 |
| 2"-1.25"   | 64   | 50.5 | 94  |
| 2"-1.5"    | 64   | 50.5 | 94  |
| 2.5"-1"    | 77.5 | 50.5 | 103 |
| 2.5"-1.5"  | 77.5 | 50.5 | 103 |
| 2.5"-2"    | 77.5 | 64   | 103 |
| 3"-1.5"    | 91   | 50.5 | 119 |
| 3"-2"      | 91   | 64   | 119 |
| 3"-2.5"    | 91   | 77.5 | 119 |
| 3.5"-2"    | 106  | 64   | 123 |
| 3.5"-2.5"  | 106  | 77.5 | 123 |
| 3.5"-3"    | 106  | 91   | 123 |
| 4"-2"      | 119  | 64   | 145 |
| 4"-2.5"    | 119  | 77.5 | 145 |
| 4"-3"      | 119  | 91   | 145 |
| 4"-3.5"    | 119  | 106  | 145 |

ST-F2139



# ISO1127卫生级焊接管件 ISO1127 SANITARY WELDED PIPE-FITTINGS

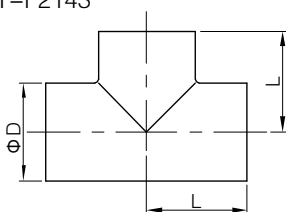
ST-F2140



ISO1127 焊接式弯头 (90° )  
ISO1127 Welded Elbow (90° )

| Size  | A     | L   | t   |
|-------|-------|-----|-----|
| 21.3  | 21.3  | 38  | 2.5 |
| 26.9  | 26.9  | 38  | 2.5 |
| 33.7  | 33.7  | 38  | 3   |
| 42.4  | 42.4  | 48  | 3   |
| 48.3  | 48.3  | 57  | 3   |
| 60.3  | 60.3  | 76  | 3   |
| 76.1  | 76.1  | 95  | 3   |
| 88.9  | 88.9  | 114 | 3   |
| 101.6 | 101.6 | 133 | 3   |
| 114.3 | 114.3 | 152 | 3   |

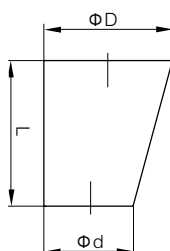
ST-F2143



ISO1127 焊接式三通  
ISO1127 Welded Tee

| Size  | D     | L   | t |     |
|-------|-------|-----|---|-----|
|       |       |     | 1 | 2   |
| 21.3  | 21.3  | 25  | 2 | 2.5 |
| 26.9  | 26.9  | 29  | 2 | 2.5 |
| 33.7  | 33.7  | 38  | 2 | 3   |
| 42.4  | 42.4  | 48  | 2 | 3   |
| 48.3  | 48.3  | 57  | 2 | 3   |
| 60.3  | 60.3  | 64  | 2 | 3   |
| 76.1  | 76.1  | 76  | 2 | 3   |
| 88.9  | 88.9  | 86  | 2 | 3   |
| 101.6 | 101.6 | 100 | 2 | 3   |
| 114.3 | 114.3 | 105 | 2 | 3   |
| 129   | 129   | 124 | 2 | 3   |
| 139   | 139.7 | 124 | 2 | 3   |
| 154   | 154   | 143 | 2 | 3   |
| 168   | 168.3 | 143 | 2 | 3   |
| 219   | 219.1 | 178 | 2 | 3   |

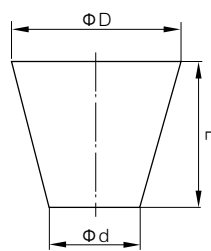
ST-F2141



ISO1127 焊接式大小头  
ISO1127 Welded Reducer

| Size | D1   | D2   | H  | t   |
|------|------|------|----|-----|
| 17.2 | 17.2 | 13.7 | 38 | 2mm |
| 21.3 | 21.3 | 13.7 | 38 | 2mm |
|      |      | 17.2 |    | 3mm |
| 26.9 | 26.9 | 13.7 | 51 | 2mm |
|      |      | 17.2 |    | 3mm |
|      |      | 21.3 |    |     |
|      |      |      |    |     |
| 33.7 | 33.7 | 13.7 | 51 | 2mm |
|      |      | 17.2 |    | 3mm |
|      |      | 21.3 |    |     |
|      |      | 26.9 |    |     |
| 42.4 | 42.4 | 17.2 | 51 | 2mm |
|      |      | 21.3 |    | 3mm |
|      |      | 26.9 |    |     |
|      |      | 33.7 |    |     |
|      |      |      |    |     |
| 48.3 | 48.3 | 17.2 | 64 | 2mm |
|      |      | 21.3 |    | 3mm |
|      |      | 26.9 |    |     |
|      |      | 33.7 |    |     |
|      |      | 42.4 |    |     |
| 60.3 | 60.3 | 17.2 | 76 | 2mm |
|      |      | 21.3 |    | 3mm |
|      |      | 26.9 |    |     |
|      |      | 33.7 |    |     |
|      |      | 42.4 |    |     |
|      |      | 48.3 |    |     |
| 76.1 | 76.1 | 21.3 | 89 | 2mm |
|      |      | 26.9 |    | 3mm |
|      |      | 33.7 |    |     |
|      |      | 42.4 |    |     |
|      |      | 48.3 |    |     |
| 88.9 | 88.9 | 21.3 | 89 | 2mm |
|      |      | 26.9 |    | 3mm |
|      |      | 33.7 |    |     |
|      |      | 42.4 |    |     |
|      |      | 48.3 |    |     |
|      |      | 60.3 |    |     |
|      |      | 76.1 |    |     |

ST-F2142

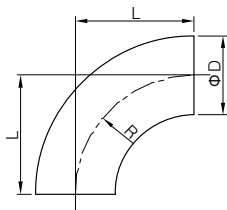


| Size  | D1    | D2    | H   | t          |
|-------|-------|-------|-----|------------|
| 101.6 | 101.6 | 33.7  | 98  | 2mm<br>3mm |
|       |       | 42.4  |     |            |
|       |       | 48.3  |     |            |
|       |       | 60.3  |     |            |
|       |       | 76.1  |     |            |
| 88.9  |       |       |     |            |
| 114.3 | 114.3 | 33.7  | 102 | 2mm<br>3mm |
|       |       | 42.4  |     |            |
|       |       | 48.3  |     |            |
|       |       | 60.3  |     |            |
|       |       | 76.1  |     |            |
| 88.9  |       |       |     |            |
| 101.6 |       |       |     |            |
| 139.7 | 139.7 | 42.4  | 127 | 2mm<br>3mm |
|       |       | 48.3  |     |            |
|       |       | 60.3  |     |            |
|       |       | 76.1  |     |            |
|       |       | 88.9  |     |            |
|       |       | 101.6 |     |            |
| 114.3 |       |       |     |            |
| 168.3 | 168.3 | 48.3  | 140 | 2mm<br>3mm |
|       |       | 60.3  |     |            |
|       |       | 76.1  |     |            |
|       |       | 88.9  |     |            |
|       |       | 101.6 |     |            |
|       |       | 114.3 |     |            |
| 139.7 |       |       |     |            |
| 219.1 | 219.1 | 60.3  | 152 | 2mm<br>3mm |
|       |       | 76.1  |     |            |
|       |       | 88.9  |     |            |
|       |       | 101.6 |     |            |
|       |       | 114.3 |     |            |
|       |       | 139.7 |     |            |
| 169.3 |       |       |     |            |

BS4825 卫生级焊接管件

BS4825 SANITARY WELDED PIPE-FITTINGS

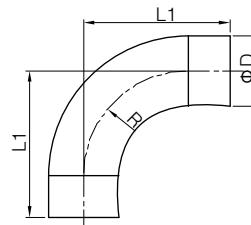
ST-F2144



BS4825 焊接式弯头 (90° )  
BS4825 Welded Elbow (90° )

| Size   | D     | L     | R     |
|--------|-------|-------|-------|
| 1"     | 25.4  | 43.5  | 38.1  |
| 1 1/2" | 31.8  | 53.5  | 47.7  |
| 1 1/2" | 38.1  | 63.5  | 57.2  |
| 2"     | 50.8  | 88.5  | 76.2  |
| 2 1/2" | 63.5  | 113.5 | 95.3  |
| 3"     | 76.2  | 133.5 | 114.3 |
| 4"     | 101.6 | 173.5 | 152.4 |

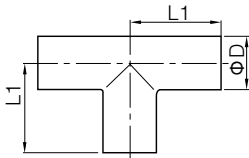
ST-F2145



BS4825 加直端焊接式弯头 (90° )  
BS4825 Welded Elbow (90° ) with Straight End

| Size   | D     | L   | R     |
|--------|-------|-----|-------|
| 1/2"   | 12.7  | 45  | 19.1  |
| 5/8"   | 15.9  | 55  | 23.8  |
| 3/4"   | 19.1  | 60  | 29.6  |
| 1"     | 25.4  | 65  | 38.1  |
| 1 1/4" | 31.8  | 75  | 47.7  |
| 1 1/2" | 38.1  | 85  | 57.2  |
| 2"     | 50.8  | 110 | 76.2  |
| 2 1/2" | 63.5  | 135 | 95.3  |
| 3"     | 76.2  | 155 | 114.3 |
| 4"     | 101.6 | 195 | 152.4 |
| 4 1/2" | 114.3 | 210 | 171.5 |
| 5 1/2" | 139.7 | 250 | 209.6 |
| 6 5/8" | 168.3 | 295 | 252.5 |
| 8 5/8" | 219.1 | 370 | 328.7 |

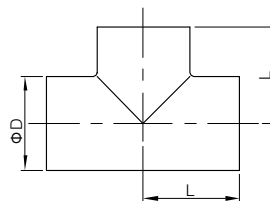
ST-F2146



BS4825 长型焊接三通  
BS4825 Long-type Welded Tee

| Size   | D     | L   |
|--------|-------|-----|
| 1/2"   | 12.7  | 45  |
| 5/8"   | 15.9  | 55  |
| 3/4"   | 19.1  | 60  |
| 1"     | 25.4  | 65  |
| 1 1/4" | 31.8  | 75  |
| 1 1/2" | 38.1  | 85  |
| 2"     | 50.8  | 110 |
| 2 1/2" | 63.5  | 135 |
| 3"     | 76.2  | 155 |
| 4"     | 101.6 | 195 |
| 4 1/2" | 114.3 | 210 |
| 5 1/2" | 139.7 | 250 |
| 6 5/8" | 168.3 | 295 |
| 8 5/8" | 219.1 | 370 |

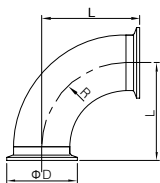
ST-F2147



BS4825 焊接式三通  
BS4825 Welded Tee

| Size   | D     | L     |
|--------|-------|-------|
| 1"     | 25.4  | 43.5  |
| 1 1/4" | 31.8  | 53.5  |
| 1 1/2" | 38.1  | 63.5  |
| 2"     | 50.8  | 88.5  |
| 2 1/2" | 63.5  | 113.5 |
| 3"     | 76.2  | 133.5 |
| 4"     | 101.6 | 173.5 |

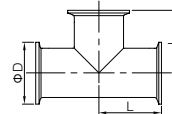
ST-F2148



ISO/IDF 卡箍弯头 (90° )  
ISO/IDF Clamp Elbow (90° )

| Size | D    | L     | R    |
|------|------|-------|------|
| 25   | 50.5 | 55    | 33.5 |
| 32   | 50.5 | 59.5  | 38   |
| 38   | 50.5 | 70    | 48.5 |
| 51   | 64   | 82    | 60.5 |
| 63   | 77.5 | 97.5  | 76   |
| 76   | 91   | 110   | 88.5 |
| 89   | 106  | 121.5 | 100  |
| 102  | 119  | 148.5 | 127  |

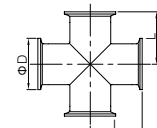
ST-F2149



ISO/IDF 卡箍三通 / 卡箍四通  
ISO/IDF Clamp Tee/Clamp Cross

| Size | D    | L     |
|------|------|-------|
| 25   | 50.5 | 55    |
| 32   | 50.5 | 59.5  |
| 38   | 50.5 | 70    |
| 51   | 64   | 82    |
| 63   | 77.5 | 86.5  |
| 76   | 91   | 95.5  |
| 89   | 106  | 109.5 |
| 102  | 119  | 121.5 |

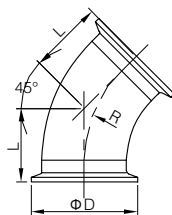
ST-F2150



# DIN 卡箍式管件

## DIN CLAMP PIPE FITTINGS

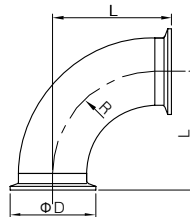
ST-F2151



DIN 卡箍式弯头 (45° )  
DIN Clamp Elbow (45° )

| Size  | D     | L     | R   |
|-------|-------|-------|-----|
| DN10  | 34    | 28.7  | 26  |
| DN15  | 34    | 32.5  | 35  |
| DN20  | 34    | 34.5  | 40  |
| DN25  | 50.5  | 42.2  | 50  |
| DN32  | 50.5  | 44.3  | 55  |
| DN40  | 50.5  | 46.3  | 60  |
| DN50  | 64    | 50.5  | 70  |
| DN65  | 91    | 61.2  | 80  |
| DN80  | 106   | 65.3  | 90  |
| DN100 | 119   | 69.5  | 100 |
| DN125 | 144.5 | 115.5 | 187 |
| DN150 | 167   | 131.2 | 225 |

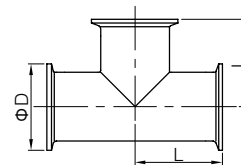
ST-F2152



DIN 卡箍式弯头 (90° )  
DIN Clamp Elbow (90° )

| Size  | D     | L    | R   |
|-------|-------|------|-----|
| DN10  | 34    | 44   | 26  |
| DN15  | 34    | 53   | 35  |
| DN20  | 34    | 58   | 40  |
| DN25  | 50.5  | 71.5 | 50  |
| DN32  | 50.5  | 76.5 | 55  |
| DN40  | 50.5  | 81.5 | 60  |
| DN50  | 64    | 91.5 | 70  |
| DN65  | 91    | 108  | 80  |
| DN80  | 106   | 118  | 90  |
| DN100 | 119   | 128  | 100 |
| DN125 | 144.5 | 225  | 187 |
| DN150 | 167   | 263  | 225 |
| DN200 | 217.5 | 338  | 300 |

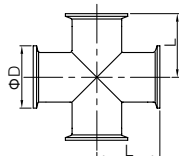
ST-F2153



DIN 卡箍式三通  
DIN Clamp Tee

| Size  | D     | L    |
|-------|-------|------|
| DN10  | 34    | 44   |
| DN15  | 34    | 53   |
| DN20  | 34    | 58   |
| DN25  | 50.5  | 71.5 |
| DN32  | 50.5  | 76.5 |
| DN40  | 50.5  | 81.5 |
| DN50  | 64    | 91.5 |
| DN65  | 91    | 108  |
| DN80  | 106   | 118  |
| DN100 | 119   | 128  |
| DN125 | 144.5 | 225  |
| DN150 | 167   | 263  |

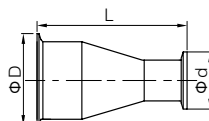
ST-F2154



DIN 卡箍式四通  
DIN Clamp Cross

| Size  | D     | L    |
|-------|-------|------|
| DN10  | 34    | 44   |
| DN15  | 34    | 53   |
| DN20  | 34    | 58   |
| DN25  | 50.5  | 71.5 |
| DN32  | 50.5  | 76.5 |
| DN40  | 50.5  | 81.5 |
| DN50  | 64    | 91.5 |
| DN65  | 91    | 108  |
| DN80  | 106   | 118  |
| DN100 | 119   | 128  |
| DN125 | 144.5 | 225  |
| DN150 | 167   | 263  |

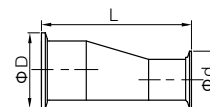
ST-F2155



DIN 卡箍式同心大小头  
DIN Clamp Concentric Reducer

| Size      | D    | d    | L   |
|-----------|------|------|-----|
| DN20-DN15 | 34   | 34   | 86  |
| DN25-DN20 | 50.5 | 50.5 | 86  |
| DN32-DN20 | 50.5 | 50.5 | 106 |
| DN32-DN25 | 50.5 | 50.5 | 106 |
| DN40-DN20 | 50.5 | 34   | 128 |
| DN40-DN25 | 50.5 | 50.5 | 128 |
| DN40-DN32 | 50.5 | 50.5 | 128 |
| DN50-DN25 | 64   | 50.5 | 141 |
| DN50-DN32 | 64   | 50.5 | 141 |
| DN50-DN40 | 64   | 50.5 | 141 |

ST-F2156

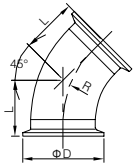


DIN 卡箍式偏心大小头  
DIN Clamp Eccentric Reducer

| Size       | D   | d    | L   |
|------------|-----|------|-----|
| DN65-DN25  | 91  | 50.5 | 151 |
| DN65-DN32  | 91  | 50.5 | 151 |
| DN65-DN40  | 91  | 50.5 | 146 |
| DN65-DN50  | 91  | 64   | 146 |
| DN80-DN40  | 106 | 50.5 | 166 |
| DN80-DN50  | 106 | 64   | 151 |
| DN80-DN65  | 106 | 91   | 146 |
| DN100-DN50 | 119 | 64   | 192 |
| DN100-DN65 | 119 | 91   | 159 |
| DN100-DN80 | 119 | 106  | 152 |

# INCH 卡箍式管件 INCH CLAMP PIPE FITTINGS

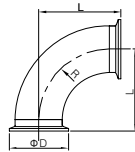
ST-F2157



INCH 卡箍弯头 (45°)  
INCH Clamp Elbow (45°)

| Size   | D    | L     | R     |
|--------|------|-------|-------|
| 1/2"   | 25.4 | 20.6  | 19.1  |
| 3/4"   | 25.4 | 24.5  | 28.5  |
| 1"     | 50.5 | 28.5  | 38.1  |
| 1 1/4" | 50.5 | 32.5  | 47.7  |
| 1 1/2" | 50.5 | 36.5  | 57.2  |
| 2"     | 64   | 44.5  | 76.2  |
| 2 1/2" | 77.5 | 52.4  | 95.3  |
| 3"     | 91   | 60.3  | 114.3 |
| 4"     | 119  | 79.3  | 152.4 |
| 6"     | 167  | 116.9 | 228.6 |

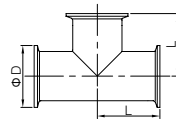
ST-F2158



INCH 卡箍弯头 (90°)  
INCH Clamp Elbow (90°)

| Size   | D    | L     | R     |
|--------|------|-------|-------|
| 1/2"   | 25.4 | 31.8  | 19.1  |
| 3/4"   | 25.4 | 41.3  | 28.5  |
| 1"     | 50.5 | 50.8  | 38.1  |
| 1 1/4" | 50.5 | 60.3  | 47.7  |
| 1 1/2" | 50.5 | 69.9  | 57.2  |
| 2"     | 64   | 88.9  | 76.2  |
| 2 1/2" | 77.5 | 108   | 95.3  |
| 3"     | 91   | 127   | 114.3 |
| 4"     | 119  | 168.2 | 152.4 |
| 6"     | 167  | 250.8 | 228.6 |

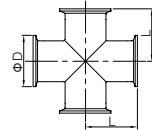
ST-F2159



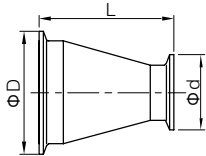
INCH 卡箍三通 / 卡箍四通  
INCH Clamp Tee/Clamp Cross

| Size   | D    | L     |
|--------|------|-------|
| 1/2"   | 25.4 | 50.8  |
| 3/4"   | 25.4 | 50.8  |
| 1"     | 50.5 | 60.3  |
| 1 1/4" | 50.5 | 67.7  |
| 1 1/2" | 50.5 | 69.9  |
| 2"     | 64   | 88.9  |
| 2 1/2" | 77.5 | 88.9  |
| 3"     | 91   | 95.3  |
| 4"     | 119  | 114.3 |
| 6"     | 167  | 149.2 |

ST-F2160



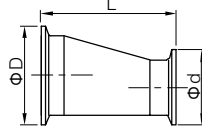
ST-F2161



INCH 卡箍式同心大小头  
INCH Clamp Concentric Reducer

| Size       | D    | d    | L     |
|------------|------|------|-------|
| 0.75"/0.5" | 25.4 | 25.4 | 50.8  |
| 1"/0.5"    | 50.5 | 25.4 | 63.5  |
| 1"/0.75"   | 50.5 | 25.4 | 50.8  |
| 1.5"/0.5"  | 50.5 | 25.4 | 88.9  |
| 1.5"/0.75" | 50.5 | 25.4 | 76.2  |
| 1.5"/1"    | 50.5 | 50.5 | 76.2  |
| 2"/0.5"    | 64   | 25.4 | 139.7 |
| 2"/0.75"   | 64   | 25.4 | 127   |
| 2"/1"      | 64   | 50.5 | 127   |
| 2"/1.5"    | 64   | 50.5 | 76.2  |
| 2.5"/0.5"  | 77.5 | 25.4 | 190.5 |
| 2.5"/0.75" | 77.5 | 25.4 | 177.8 |
| 2.5"/1"    | 77.5 | 50.5 | 177.8 |

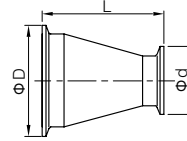
ST-F2162



INCH 卡箍式偏心大小头  
INCH Clamp Eccentric Reducer

| Size      | D    | d    | L     |
|-----------|------|------|-------|
| 2.5"/1.5" | 77.5 | 50.5 | 127   |
| 2.5"/2"   | 77.5 | 64   | 76.2  |
| 3"/1"     | 91   | 50.5 | 228.6 |
| 3"/1.5"   | 91   | 50.5 | 177.8 |
| 3"/2"     | 91   | 64   | 127   |
| 3"/2.5"   | 91   | 77.5 | 76.2  |
| 4"/1"     | 119  | 50.5 | 333.4 |
| 4"/1.5"   | 119  | 50.5 | 282.6 |
| 4"/2"     | 119  | 64   | 231.8 |
| 4"/2.5"   | 119  | 77.5 | 181   |
| 4"/3"     | 119  | 91   | 130.2 |
| 6"/3"     | 167  | 91   | 193.7 |
| 6"/4"     | 167  | 119  | 193.7 |

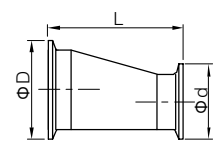
ST-F2163



INCH 卡箍式大小头  
INCH Clamp Reducer

| 规格         | D    | d    | L   |
|------------|------|------|-----|
| 0.75"/0.5" | 50.5 | 25.4 | 53  |
| 1"/0.5"    | 50.5 | 25.4 | 55  |
| 1"/0.75"   | 50.5 | 50.5 | 55  |
| 1.25"/1"   | 50.5 | 50.5 | 58  |
| 1.5"/1"    | 50.5 | 50.5 | 64  |
| 1.5"/1.25" | 50.5 | 50.5 | 64  |
| 2"/1"      | 64   | 50.5 | 82  |
| 2"/1.25"   | 64   | 50.5 | 82  |
| 2/1.5"     | 64   | 50.5 | 64  |
| 2.5"/1"    | 77.5 | 50.5 | 82  |
| 2.5"/1.25" | 77.5 | 50.5 | 82  |
| 2.5"/1.5"  | 77.5 | 50.5 | 82  |
| 2.5"/2"    | 77.5 | 64   | 64  |
| 3"/1"      | 91   | 50.5 | 99  |
| 3"/1.25"   | 91   | 64   | 99  |
| 3"/1.5"    | 91   | 50.5 | 99  |
| 3"/2"      | 91   | 64   | 82  |
| 3"/2.5"    | 91   | 77.5 | 64  |
| 4"/1.5"    | 119  | 50.5 | 129 |
| 4"/2"      | 119  | 64   | 129 |
| 4"/2.5"    | 119  | 77.5 | 112 |
| 4"/3"      | 119  | 91   | 94  |

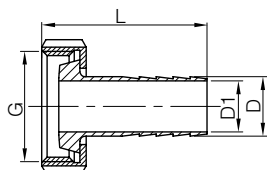
ST-F2164





## 卫生级软管接头系列 SANITARY HOSE COUPLING

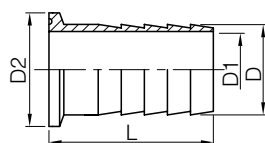
ST-F2165



DIN 螺母式软管接头  
DIN Nut-type Hose Coupling

| Size  | D   | D1 | G           | L   |
|-------|-----|----|-------------|-----|
| DN25  | 28  | 24 | RD52 × 1/6  | 90  |
| DN32  | 34  | 30 | RD58 × 1/6  | 100 |
| DN40  | 40  | 35 | RD65 × 1/6  | 100 |
| DN50  | 52  | 47 | RD78 × 1/6  | 125 |
| DN65  | 70  | 64 | RD95 × 1/6  | 140 |
| DN80  | 85  | 79 | RD110 × 1/6 | 160 |
| DN100 | 104 | 98 | RD130 × 1/6 | 170 |

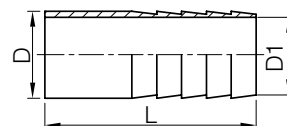
ST-F2166



DIN 卡箍式软管接头  
DIN Clamp Hose Coupling

| Size  | D   | D1 | D2   | L     |
|-------|-----|----|------|-------|
| DN25  | 28  | 24 | 50.5 | 89.5  |
| DN32  | 34  | 30 | 50.5 | 96.5  |
| DN40  | 40  | 35 | 50.5 | 96.5  |
| DN50  | 52  | 47 | 64   | 118.5 |
| DN65  | 70  | 64 | 91   | 136   |
| DN80  | 85  | 79 | 106  | 151   |
| DN100 | 104 | 98 | 119  | 154   |

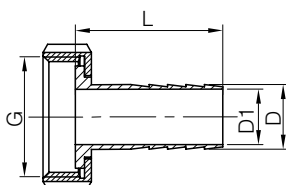
ST-F2167



DIN 焊接式软管接头  
DIN Welded Hose Coupling

| Size  | D   | D1 | L   |
|-------|-----|----|-----|
| DN25  | 28  | 24 | 68  |
| DN32  | 34  | 30 | 75  |
| DN40  | 40  | 35 | 75  |
| DN50  | 52  | 47 | 97  |
| DN65  | 70  | 64 | 108 |
| DN80  | 85  | 79 | 123 |
| DN100 | 104 | 98 | 126 |

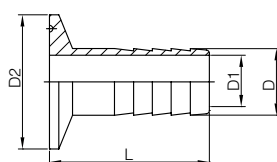
ST-F2168



SMS 螺母式软管接头  
SMS Nut-type Hose Coupling

| Size   | D     | D1   | G           | L   |
|--------|-------|------|-------------|-----|
| 1"     | 25.4  | 20   | RD40 × 1/6  | 90  |
| 1 1/4" | 32    | 27   | RD48 × 1/6  | 100 |
| 1 1/2" | 38.1  | 33   | RD60 × 1/6  | 100 |
| 2"     | 50.8  | 46   | RD70 × 1/6  | 125 |
| 2 1/2" | 63.5  | 57.5 | RD85 × 1/6  | 140 |
| 3"     | 76.2  | 70   | RD98 × 1/6  | 160 |
| 4"     | 101.6 | 96   | RD132 × 1/6 | 170 |

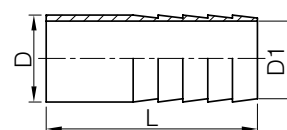
ST-F2169



INCH 卡箍式软管接头  
INCH Clamp Hose Coupling

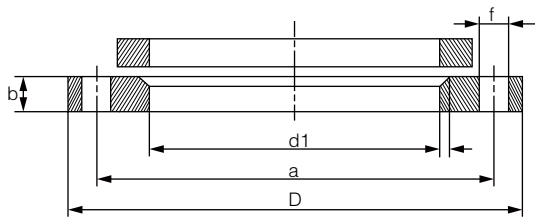
| Size   | D     | D1   | D2   | L  |
|--------|-------|------|------|----|
| 1/4"   | 10    | 5    | 25.4 | 38 |
| 3/8"   | 11    | 6.2  | 25.4 | 38 |
| 1/2"   | 13.7  | 9.5  | 25.4 | 38 |
| 3/4"   | 21.4  | 15.8 | 25.4 | 38 |
| 1"     | 25.4  | 20.6 | 50.5 | 43 |
| 1 1/4" | 31.8  | 26.8 | 50.5 | 43 |
| 1 1/2" | 38.1  | 33.2 | 50.5 | 43 |
| 2"     | 50.8  | 46   | 64   | 58 |
| 2 1/2" | 63.5  | 58.7 | 77.5 | 59 |
| 3"     | 76.2  | 71   | 91   | 78 |
| 4"     | 101.6 | 98   | 119  | 85 |

ST-F2170

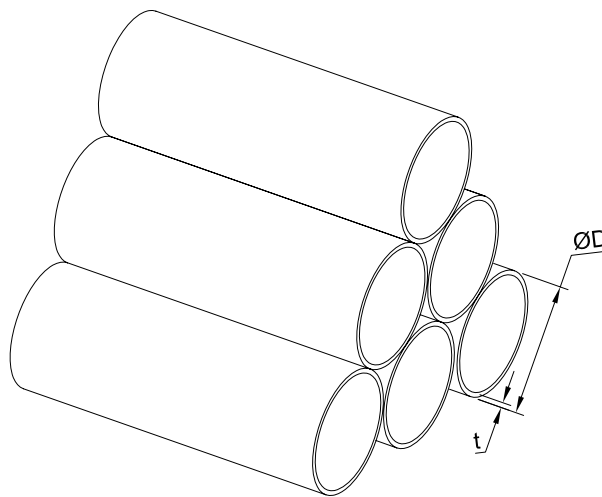


INCH 焊接式软管接头  
INCH Welded Hose Coupling

| Size   | D     | D1   | L    |
|--------|-------|------|------|
| 1/4"   | 10    | 5    | 25.3 |
| 3/8"   | 11    | 6.2  | 25.3 |
| 1/2"   | 13.7  | 9.5  | 25.3 |
| 3/4"   | 21.4  | 15.8 | 25.3 |
| 1"     | 25.4  | 20.6 | 30.3 |
| 1 1/4" | 31.8  | 26.8 | 30.3 |
| 1 1/2" | 38.1  | 33.2 | 30.3 |
| 2"     | 50.8  | 46   | 36.5 |
| 2 1/2" | 63.5  | 58.7 | 37.5 |
| 3"     | 76.2  | 71   | 56.5 |
| 4"     | 101.6 | 96   | 63.5 |



| Nominal Diameter | Tube        |             | D    | Flange     |    |     | e | Number | Screw | d2 | Flange Weight<br>(7,85 Kg/dm <sup>3</sup> )<br>Kg |
|------------------|-------------|-------------|------|------------|----|-----|---|--------|-------|----|---|
|                  | ISO Series1 | DIN Series2 |      | d6         | b  | k   |   |        |       |    |   |
| 15               | -<br>21.3   | 20<br>-     | 95   | 22<br>24   | 14 | 65  | 3 | 4      | M12   | 14 | 0.689   |
| 20               | -<br>26.9   | 25<br>-     | 105  | 28<br>30   | 14 | 75  | 3 | 4      | M12   | 14 | 0.806   |
| 25               | -<br>33.7   | 30<br>-     | 115  | 33<br>36   | 16 | 85  | 4 | 4      | M12   | 14 | 1.11  |
| 32               | -<br>42.4   | 38<br>-     | 140  | 42<br>46   | 16 | 100 | 4 | 4      | M16   | 18 | 1.64  |
| 40               | -<br>48.3   | 44.5<br>-   | 150  | 50<br>54   | 16 | 110 | 4 | 4      | M16   | 19 | 1.86  |
| 50               | -<br>60.3   | 57<br>-     | 165  | 62<br>65   | 16 | 125 | 5 | 4      | M16   | 18 | 2.2   |
| 65               | 76.1        | -           | 185  | 81         | 16 | 145 | 5 | 4      | M16   | 18 | 2.62  |
| 80               | 88.9        | -           | 200  | 94         | 18 | 160 | 5 | 8      | M16   | 18 | 3.32  |
| 100              | -<br>114.3  | 108<br>-    | 220  | 11+<br>119 | 18 | 180 | 5 | 8      | M16   | 18 | 3.67  |
| 125              | -<br>139.7  | 133<br>-    | 250  | 138<br>145 | 18 | 210 | 5 | 8      | M16   | 18 | 4.54  |
| 150              | -<br>168.3  | 159<br>-    | 285  | 164<br>173 | 18 | 240 | 5 | 8      | M20   | 22 | 5.6   |
| 200              | 219.1       | -           | 340  | 225        | 20 | 295 | 5 | 8      | M20   | 22 | 7.46  |
| 250              | -<br>273    | 267<br>-    | 395  | 273<br>279 | 22 | 350 | 5 | 12     | M20   | 22 | 10.3  |
| 300              | 323.9       | -           | 445  | 329        | 26 | 400 | 5 | 12     | M20   | 22 | 14  |
| 350              | 355.6<br>-  | -<br>368    | 505  | 362<br>374 | 28 | 460 | 6 | 16     | M20   | 22 | 18.5  |
| 400              | 406.4<br>-  | -<br>419    | 565  | 413<br>426 | 32 | 515 | 6 | 16     | M24   | 26 | 25  |
| (450)            | 457         | -           | 615  | 467        | 38 | 565 | 6 | 20     | M24   | 26 | 30.6  |
| 500              | 508         | -           | 670  | 517        | 38 | 620 | 6 | 20     | M24   | 26 | 37  |
| 600              | 610         | -           | 780  | 618        | 44 | 725 | 7 | 20     | M27   | 30 | 56.3  |
| 700              | 711         | -           | 895  | 721        | 50 | 840 | 7 | 24     | M27   | 30 | 80.4  |
| 800              | 813         | -           | 1015 | 824        | 56 | 950 | 7 | 24     | M30   | 33 | 113.2   |



| DIN11850 |                  | 3A               |        | SMS/DS |      |
|----------|------------------|------------------|--------|--------|------|
| Size     | D×t              | D×t              | Size   | D      | t    |
| DN10     | 12 × 1.5         | 13 × 1.5         | 1/2"   | 12.7   | 1.65 |
| DN15     | 18 × 1.5         | 19 × 1.5         | 3/4"   | 19.05  | 1.65 |
| DN20     | 22 × 1.5         | 23 × 1.5         | 1"     | 25.4   | 1.65 |
| DN25     | 28 × 1.5         | 29 × 1.5         | 1 1/2" | 38.1   | 1.65 |
| DN32     | 34 × 1.5         | 35 × 1.5         | 2"     | 50.8   | 1.65 |
| DN40     | 40 × 1.5         | 41 × 1.5         | 2 1/2" | 63.5   | 1.65 |
| DN50     | 52 × 1.5         | 53 × 1.5         | 3"     | 76.2   | 1.65 |
| DN65     | 70 × 2.0         | 70 × 2.0         | 4"     | 101.6  | 2.1  |
| DN80     | 85 × 2.0         | 85 × 2.0         | 6"     | 152.4  | 2.8  |
| DN100    | 104 × 2.0        | 104 × 2.0        | 8"     | 203.2  | 2.8  |
| DN125    | 129 × 2.0        | 129 × 2.0        |        |        |      |
| DN150    | 154 × 2.0        | 154 × 2.0        |        |        |      |
| DN200    | 204 × 2.0        | 204 × 2.0        |        |        |      |
|          | Series 0<br>系列 0 | Series 2<br>系列 2 |        |        |      |

| Size | ISO/IDF |     | ISO 2037 |     | ISO 1127 |     | BS 4825 |     |
|------|---------|-----|----------|-----|----------|-----|---------|-----|
|      | D       | t   | D        | t   | D        | t   | D       | t   |
| 12.7 | 12.7    | 1.5 | 12.7     | 1.2 | 13.5     | 1.6 | 12.7    | 1.6 |
| 19   | 19.1    | 1.5 | 17.2     | 1.2 | 17.2     | 1.6 | 15.88   | 1.6 |
| 25   | 25.4    | 1.5 | 21.3     | 1.2 | 21.3     | 1.6 | 19.05   | 1.6 |
| 32   | 31.8    | 1.5 | 25.0     | 1.2 | 26.9     | 1.6 | 25.4    | 1.6 |
| 38   | 38.1    | 1.5 | 33.7     | 1.2 | 33.7     | 2.0 | 38.1    | 1.6 |
| 45   | 45.0    | 2.0 | 38.0     | 1.2 | 42.4     | 2.0 | 50.8    | 1.6 |
| 48   | 48.0    | 1.5 | 40.0     | 1.2 | 48.3     | 2.0 | 63.5    | 1.6 |
| 51   | 50.8    | 1.5 | 51.0     | 1.2 | 60.3     | 2.0 | 76.2    | 1.6 |
| 57   | 57.0    | 2.0 | 63.5     | 1.6 | 76.1     | 2.0 | 101.6   | 2.0 |
| 63   | 63.5    | 2.0 | 70.0     | 1.6 | 88.9     | 2.3 | 114.3   | 2.0 |
| 76   | 76.2    | 2.0 | 76.1     | 1.6 | 114.3    | 2.3 | 139.7   | 2.0 |
| 89   | 89.0    | 2.0 | 88.9     | 2.0 | 139.7    | 2.3 | 168.3   | 2.5 |
| 102  | 101.6   | 2.0 | 101.6    | 2.0 | 168.3    | 2.3 | 219.1   | 2.5 |
| 108  | 108.0   | 2.0 | 108.0    | 2.0 | 219.1    | 2.3 |         |     |
| 114  | 114.3   | 2.0 | 114.3    | 2.0 |          |     |         |     |
| 133  | 133.0   | 2.5 | 139.7    | 2.0 |          |     |         |     |
| 159  | 159.0   | 2.5 | 168.3    | 2.6 |          |     |         |     |
| 204  | 204.0   | 2.5 | 219.1    | 2.6 |          |     |         |     |

各国不锈钢牌号

Stainless Steel Standards of Different Countries

| 中国            | 欧盟             | 美国              | 美国              | 英国                   | 德国               | 日本             |
|---------------|----------------|-----------------|-----------------|----------------------|------------------|----------------|
| GB<br>(China) | EN<br>(Europa) | AISI<br>(U.S.A) | ASTM<br>(U.S.A) | BSI<br>(U.K)         | DIN<br>(Germany) | JIS<br>(Japan) |
| 0Cr18Ni9      | X5CrNi18-10    | 304             | TP304           | 304 S 15<br>304 S 16 | 1.4301           | SUS304         |
| 00Cr19Ni10    | X2 CrNi19-11   | 304L            | TP304L          | 304 S 11             | 1.4306           | SUS304L        |
| 0Cr17Ni12M02  | X5CrNiMo17-2-2 | 316             | TP316           | 316 S 31             | 1.4401           | SUS316         |
| 00Cr17Ni14M02 | X2CrNiMo17-2-2 | 316L            | TP316L          | 316 S 11             | 1.4404           | SUS316L        |

化学成分与力学性能

Chemical Composition and Mechanics Property

| 中国<br>(GB) | 钢种   | 碳    | 硅   | 锰   | 磷     | 硫     | 铬         | 钼       | 镍      | 力学性能                       |                            |                     |         |
|------------|------|------|-----|-----|-------|-------|-----------|---------|--------|----------------------------|----------------------------|---------------------|---------|
|            |      | ≤    | ≤   | ≤   | ≤     | ≤     | Cr        | Mo      | Ni     | 屈服强度<br>$\sigma_s$ (Mpa) ≥ | 抗拉强度<br>$\sigma_b$ (Mpa) ≥ | 延伸率<br>$\delta_5$ % | 硬度 HB ≤ |
|            | 304  | 0.07 | 1.0 | 2.0 | 0.035 | 0.030 | 18.0-20.0 | /       | 8.0-11 | 205                        | 520                        | 40                  | 187     |
|            | 304L | 0.03 | 1.0 | 2.0 | 0.035 | 0.030 | 18.0-20.0 | /       | 8.0-12 | 177                        | 480                        | 40                  | 187     |
|            | 316  | 0.08 | 1.0 | 2.0 | 0.035 | 0.030 | 16.0-18.5 | 2.0-3.0 | 10-14  | 205                        | 520                        | 40                  | 187     |
|            | 316L | 0.03 | 1.0 | 2.0 | 0.035 | 0.030 | 16.0-18.0 | 2.0-3.0 | 12-15  | 177                        | 480                        | 40                  | 187     |

| 美国<br>(ASTM) | 钢种     | 碳     | 硅    | 锰   | 磷     | 硫     | 铬         | 钼       | 镍      | 力学性能                       |                            |                     |         |
|--------------|--------|-------|------|-----|-------|-------|-----------|---------|--------|----------------------------|----------------------------|---------------------|---------|
|              |        | ≤     | ≤    | ≤   | ≤     | ≤     | Cr        | Mo      | Ni     | 屈服强度<br>$\sigma_s$ (Mpa) ≥ | 抗拉强度<br>$\sigma_b$ (Mpa) ≥ | 延伸率<br>$\delta_5$ % | 硬度 HB ≤ |
|              | TP304  | 0.08  | 0.75 | 2.0 | 0.040 | 0.030 | 18.0-20.0 | /       | 8.0-11 | 205                        | 515                        | 35                  | 187     |
|              | TP304L | 0.035 | 0.75 | 2.0 | 0.040 | 0.030 | 18.0-20.0 | /       | 8.0-13 | 170                        | 485                        | 35                  | 187     |
|              | TP316  | 0.08  | 0.75 | 2.0 | 0.040 | 0.030 | 16.0-18.0 | 2.0-2.5 | 10-14  | 205                        | 515                        | 35                  | 187     |
|              | TP316L | 0.035 | 0.75 | 2.0 | 0.040 | 0.030 | 16.0-18.0 | 2.0-2.5 | 12-15  | 170                        | 485                        | 35                  | 187     |

| 日本<br>(JIS) | 钢种   | 碳    | 硅   | 锰   | 磷     | 硫     | 铬         | 钼       | 镍      | 力学性能                       |                            |                     |         |
|-------------|------|------|-----|-----|-------|-------|-----------|---------|--------|----------------------------|----------------------------|---------------------|---------|
|             |      | ≤    | ≤   | ≤   | ≤     | ≤     | Cr        | Mo      | Ni     | 屈服强度<br>$\sigma_s$ (Mpa) ≥ | 抗拉强度<br>$\sigma_b$ (Mpa) ≥ | 延伸率<br>$\delta_5$ % | 硬度 HB ≤ |
|             | 304  | 0.08 | 1.0 | 2.0 | 0.040 | 0.030 | 18.0-20.0 | /       | 8.0-11 | 206                        | 520                        | 35                  | 187     |
|             | 304L | 0.03 | 1.0 | 2.0 | 0.040 | 0.030 | 18.0-20.0 | /       | 9.0-13 | 177                        | 481                        | 35                  | 187     |
|             | 316  | 0.08 | 1.0 | 2.0 | 0.040 | 0.030 | 16.0-18.0 | 2.0-3.0 | 10-14  | 206                        | 520                        | 35                  | 187     |
|             | 316L | 0.03 | 1.0 | 2.0 | 0.040 | 0.030 | 16.0-18.0 | 2.0-3.0 | 12-16  | 177                        | 481                        | 35                  | 187     |

| 美国<br>(AISI)<br>英国<br>(BSI)<br>德国<br>(DIN)<br>欧盟<br>(EN) | 钢种   | 碳    | 硅   | 锰   | 磷     | 硫     | 铬         | 钼       | 镍      | 力学性能                       |                            |                     |         |
|--|------|------|-----|-----|-------|-------|-----------|---------|--------|----------------------------|----------------------------|---------------------|---------|
|  |      | ≤    | ≤   | ≤   | ≤     | ≤     | Cr        | Mo      | Ni     | 屈服强度<br>$\sigma_s$ (Mpa) ≥ | 抗拉强度<br>$\sigma_b$ (Mpa) ≥ | 延伸率<br>$\delta_5$ % | 硬度 HB ≤ |
|  | 304  | 0.07 | 1.0 | 2.0 | 0.045 | 0.015 | 17.0-18.0 | /       | 8.0-10 | 205                        | 520                        | 40                  | 187     |
|  | 304L | 0.03 | 1.0 | 2.0 | 0.045 | 0.015 | 17.0-18.0 | /       | 8.0-10 | 180                        | 480                        | 40                  | 187     |
|  | 316  | 0.08 | 1.0 | 2.0 | 0.045 | 0.015 | 16.5-18.0 | 2.0-2.5 | 10-13  | 205                        | 520                        | 40                  | 187     |
|  | 316L | 0.03 | 1.0 | 2.0 | 0.045 | 0.015 | 16.5-18.0 | 2.0-2.5 | 10-13  | 180                        | 480                        | 40                  | 187     |



No. KST - PUMP - A  
ST-F3004



ST-F3005

周泰自吸泵又称CIP回程泵，其泵体部分材料，均为耐酸不锈钢制成（AISI 316），耐酸碱腐蚀特性，尤为显著，符合食品卫生要求。

周泰离心泵的特性，在于能吸取混有空气或泡沫的液体，甚至能在只有空气时，照样自行抽吸，该泵是容积式泵，广泛用于液位低于泵的吸取物料，如在吸奶间，可将奶自奶桶中吸出或可在自动CIP清洗系统中，作为清洗缸的回程泵，机械密封为内装内流式，吸取物料温度不高于100℃。

Also known as CIP return pump kingstone pump, the pump part of the materials, are acid-resistant stainless steel (AISI 316), acid and alkali resistance properties, is particularly significant, in line with food hygiene requirements.

Characteristics better than centrifugal pump means that it can absorb liquid mixed with air or foam, and can conduct self-sucking when there is only air. This pump belongs to positive displacement pump and is widely used to suck material when liquid level is below pump. For example, it can suck milk from milk can, or can be considered as pullback pump of cleaning tank in automatic CIP cleaning system. Mechanical seal is internal installation inward flow type, and sucked material temperature is not higher than 100℃.

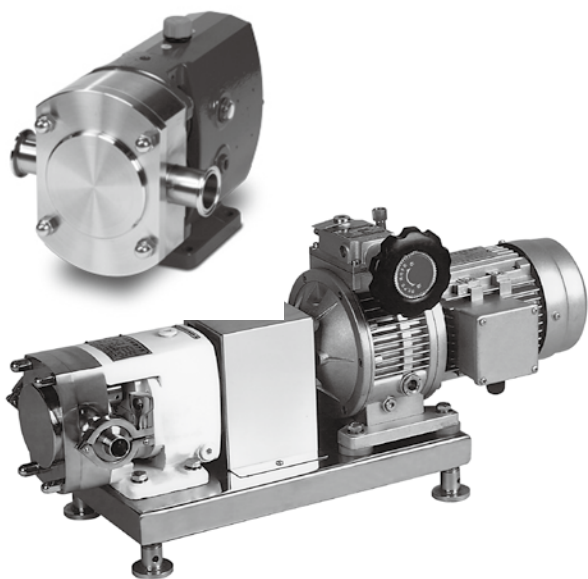
• 材质:304/316L

• 密封方式:机械密封

• 连接方式:螺纹、焊接、快装

尺寸 mm

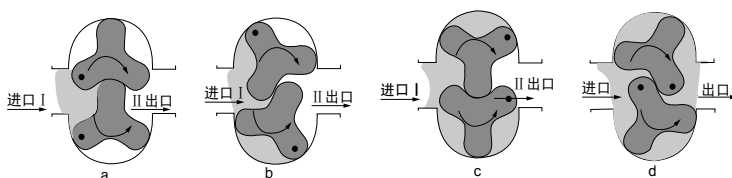
| 性能               | 主要参数             |                  |                 |
|------------------|------------------|------------------|-----------------|
| 型号               | 20T/24M          | 30T/24M          | 40T/36M         |
| 流量 Q             | 20T              | 30T              | 40T             |
| 总扬程 H            | 24M              | 24M              | 36M             |
| 其中吸程             | 5-6M             | 5-6M             | 5-6M            |
| 叶轮轮幅直径           | 192              | 192              | φ 215           |
| 进出口管径            | 63.5/63.5        | 76/63.5          | 76/76           |
| 电动机型号            | ABB/GB           | ABB/GB           | ABB/GB          |
| 功率               | 5.5KW(380V.50HZ) | 7.5KW(380V.50HZ) | 11KW(380V.50HZ) |
| 转速               | 1450/2850 r/min  | 1450/2850 r/min  | 1450/2850 r/min |
| 外型尺寸 (长 x 宽 x 高) | 760x320x475      | 760x320x475      | 1006x360x600    |
| 机器重量             | 110kg            | 116kg            | 168kg           |



No. KST - PUMP - R

工作原理图

Working Principle



工作原理

转子泵又称胶体泵,三叶泵,鞋底泵等。依靠两同步反向转动的转子(齿数为2-4)在旋转过程中于进口处产生吸力(真空度),从而吸入所要输送的物料。两转子将转子室分隔成几个小空间,并按a→b→c→d的次序运转。运转至位置a时,只有I室中充满介质;到位置b时,B室中封闭了部分介质;到位置c时,A室中也封闭了介质;到位置d时,A、B室与II室相通,介质即被输送至出料口。如此循环往复,介质(物料)即被源源不断地输送出。

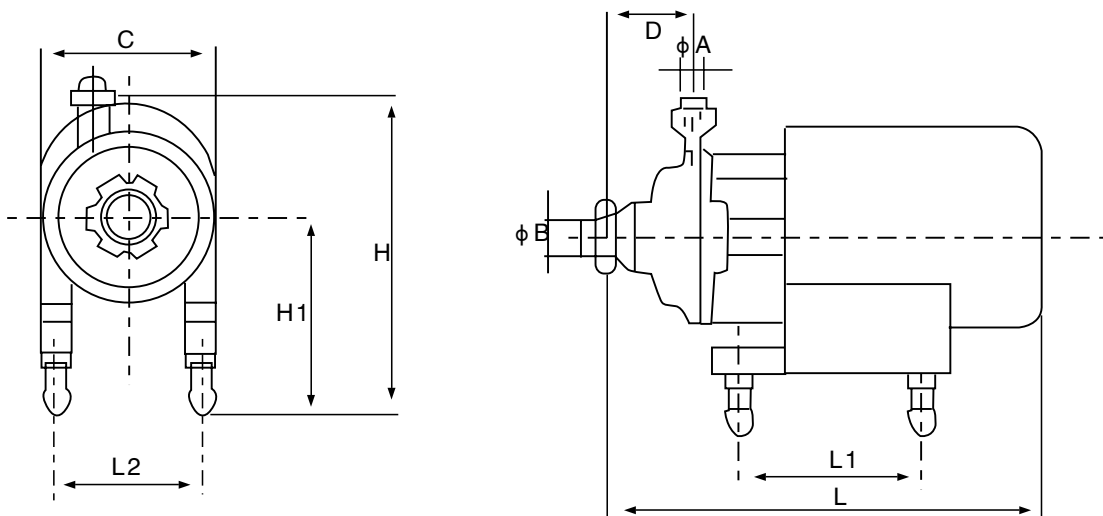
Operation Principle

Rotor pump is also named rotary lobe epump, three-lobe pump, sole pump,etc. When the 2 simultaneous reverse rotating rotors(with 2-4 gears)revolve, it produces suction force at the inlet(vacuum),which intakes the material delivered.The 2 rotors divide the rotor housing into many smaller parts and revolve in the sequence of a→b→c→d.When it revolves to position a,only housing I is filled with medium;when it revolves to position b,housing B encloses part of the medium,when it goes to position c,housing A encloses medium,and finally it goes to position d,then housing A,B and II are interlinked and the medium is transported to the outlet.As this process is repeated, medium(material)is transported continuously.

技术参数

Main parameter

| 产品型号<br>Model | 每百转排量 (L)<br>Liter/100Rev | 建议调速范围<br>(RPM) | 对应流量 (L/H)<br>Flow rate | 电机功率 (kW)<br>Power |
|---------------|---------------------------|-----------------|-------------------------|--------------------|
| PD3A-3        | 3L                        | 200-500         | 300-800                 | 0.55               |
| PD3A-6        | 6L                        | 200-500         | 650-1600                | 0.75               |
| PD3A-8        | 8L                        | 200-500         | 850-2160                | 1.5                |
| PD3A-12       | 12L                       | 200-500         | 1300-3200               | 2.2                |
| PD3A-20       | 20L                       | 200-500         | 2100-5400               | 3                  |
| PD3A-30       | 30L                       | 200-400         | 3200-6400               | 4                  |
| PD3A-36       | 36L                       | 200-400         | 3800-7600               | 4                  |
| PD3A-52       | 52L                       | 200-400         | 5600-11000              | 5.5                |
| PD3A-66       | 66L                       | 200-400         | 7100-14000              | 7.5                |
| PD3A-78       | 78L                       | 200-400         | 9000-18000              | 7.5                |
| PD3A-100      | 100L                      | 200-400         | 11000-22000             | 11                 |
| PD3A-135      | 135L                      | 200-400         | 15000-30000             | 15                 |
| PD3A-160      | 160L                      | 200-400         | 17000-34000             | 18.5               |
| PD3A-200      | 200L                      | 200-400         | 21600-43000             | 22                 |

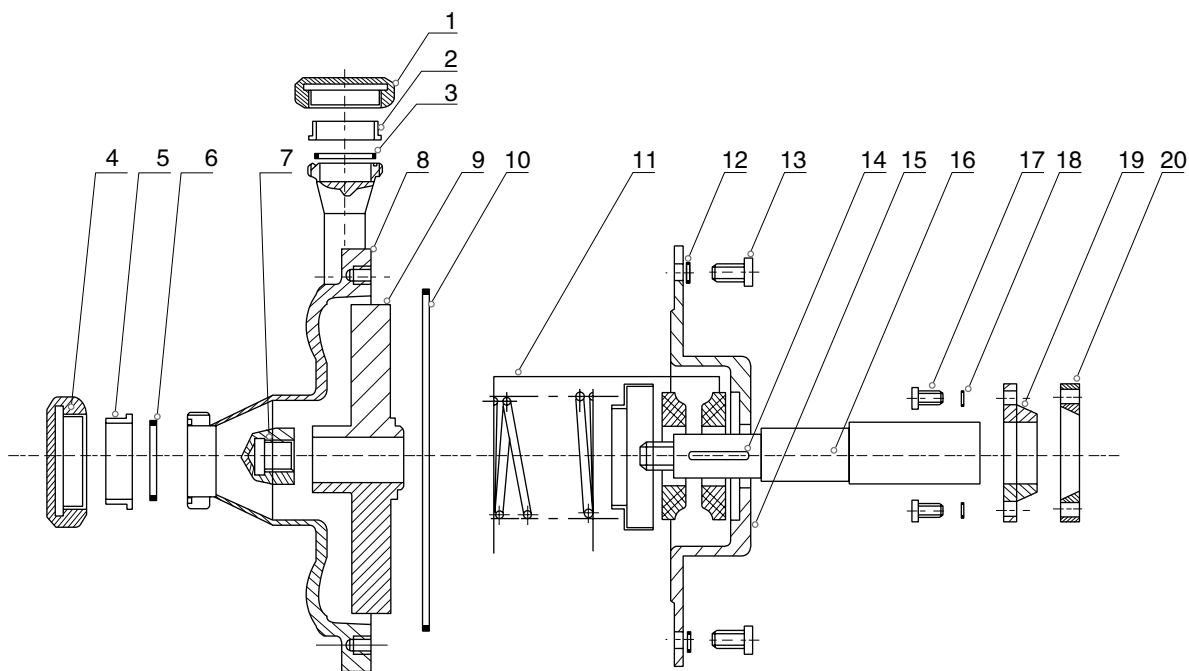


技术参数

Main parameter

| 型号         | 项目 | A   | B   | L    | L1  | L2  | H       | H1      | C   | D   |
|------------|----|-----|-----|------|-----|-----|---------|---------|-----|-----|
| 1.5T (14m) |    | 32  | 25  | 500  | 165 | 112 | 260-280 | 140-160 | 250 | 68  |
| 3T (14m)   |    | 38  | 32  | 515  | 184 | 125 | 282-302 | 152-172 | 274 | 70  |
| 5T (24m)   |    | 38  | 38  | 580  | 200 | 140 | 302-322 | 152-172 | 300 | 80  |
| 5T (30m)   |    | 38  | 38  | 580  | 200 | 140 | 302-322 | 152-172 | 300 | 83  |
| 10T (24m)  |    | 38  | 51  | 590  | 230 | 140 | 400-450 | 220-270 | 300 | 88  |
| 10T (36m)  |    | 38  | 51  | 660  | 240 | 160 | 420-470 | 220-270 | 350 | 88  |
| 15T (24m)  |    | 51  | 51  | 660  | 240 | 160 | 420-470 | 220-270 | 350 | 97  |
| 15T (36m)  |    | 51  | 51  | 725  | 260 | 216 | 440-490 | 630-300 | 350 | 97  |
| 20T (24m)  |    | 51  | 51  | 660  | 240 | 160 | 420-470 | 220-270 | 350 | 97  |
| 20T (36m)  |    | 51  | 51  | 725  | 260 | 216 | 443-493 | 263-313 | 350 | 97  |
| 30T (24m)  |    | 51  | 63  | 725  | 260 | 216 | 443-493 | 263-313 | 350 | 97  |
| 30T (36m)  |    | 51  | 63  | 725  | 260 | 216 | 443-493 | 263-313 | 350 | 123 |
| 40T (36m)  |    | 63  | 63  | 950  | 450 | 250 | 570-620 | 350-380 | 500 | 123 |
| 80T (30m)  |    | 76  | 76  | 970  | 460 | 270 | 570-620 | 350-380 | 500 | 123 |
| 100T (50m) |    | 76  | 101 | 1110 | 540 | 335 | 600-620 | 410-515 | 500 | 148 |
| 150T (50m) |    | 101 | 125 | 1110 | 540 | 335 | 600-620 | 410-515 | 600 | 150 |
| 200T (50m) |    | 125 | 150 | 1120 | 580 | 340 | 600-650 | 410-520 | 700 | 178 |

结构简图（单密封）



- 1、出料口螺母
- 2、出料口接管
- 3、出料口密封圈
- 4、进料口螺母
- 5、进料口接管
- 6、进料口密封圈
- 7、螺母
- 8、泵盖
- 9、叶轮
- 10、泵盖密封圈

- 11、机械密封
- 12、垫圈
- 13、螺栓
- 14、键
- 15、泵体
- 16、轴
- 17、螺栓
- 18、垫圈
- 19、夹箍
- 20、夹箍圈

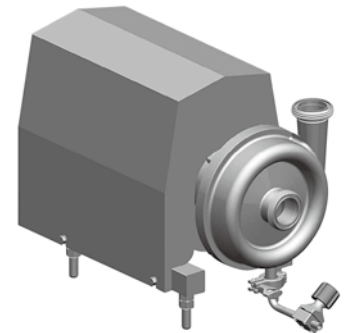




ST-F3001



ST-F3002



ST-F3003

技术参数

Main parameter

| 型号<br>Dodel | 流量 (吨 / 小时)<br>Ton/hour | 扬程 (米水柱)<br>Discharge head(m) | 电动功率<br>Power(Kw) | 进出口径<br>Inlet/Outlet |          |
|-------------|-------------------------|-------------------------------|-------------------|----------------------|----------|
| ST-1.5-14   | 1.5                     | 14                            | 0.5               | 40/25                | 32/25    |
| ST-3-14     | 3                       | 14                            | 1.1               | 40/32                | 38/32    |
| ST-5-24     | 5                       | 24                            | 1.5               | 50/40                | 38/38    |
| ST-5-30     | 5                       | 32                            | 2.2               | 50/40                | 51/38    |
| ST-10-24    | 10                      | 24                            | 2.2               | 50/40                | 51/38    |
| ST-10-36    | 10                      | 36                            | 3                 | 50/40                | 51/38    |
| ST-15-24    | 15                      | 24                            | 3                 | 50                   | 51       |
| ST-15-36    | 15                      | 36                            | 4                 | 50                   | 51       |
| ST-20-36    | 20                      | 36                            | 5.5               | 50                   | 51       |
| ST-20-24    | 20                      | 24                            | 4                 | 50/50                | 51/51    |
| ST-30-24    | 30                      | 24                            | 5.5               | 65/50                | 63/51    |
| ST-30-36    | 30                      | 36                            | 7.5               | 65/50                | 63/51    |
| ST-40-36    | 40                      | 36                            | 11                | 80/65                | 76/63    |
| ST-80-30    | 80                      | 30                            | 15                | 100/80               | 101.6/76 |
| ST-100T-50  | 100                     | 50                            | 22                | 125/100              |          |
| ST-150T-50  | 150                     | 50                            | 33                | 150/125              |          |
| ST-200T-50  | 200                     | 50                            | 45                | 150/125              |          |

宽电压电机

Wide input range motor

| 功率<br>Power(Kw) | 电压备注<br>Voltage | 功率<br>Power(Kw) | 电压备注<br>Voltage |
|-----------------|-----------------|-----------------|-----------------|
| 0.55            | 210V-230V/50HZ  | 4               | 360V-400V-50HZ  |
| 0.75            |                 | 5.5             |                 |
| 1.1             | 360V-400V/50HZ  | 7.5             | 630V-690V-50HZ  |
| 1.5             |                 | 11              |                 |
| 2.2             | 420V-460V/60HZ  | 15              | 420V-460V/60HZ  |
| 3               |                 | 18.5            |                 |
|                 |                 | 22              |                 |
|                 |                 | 30              |                 |

**GENCEL STAINLESS STEEL CO.,LIMITED**

Address: ,Road2-8,Binhai,Area, Wenzhou Economic  
Development zone,Zhejiang China325025

Tel: +86-13738300923

E-mail: [sales@fittingss.com](mailto:sales@fittingss.com)

Website: [www.fittingss.com](http://www.fittingss.com)